

IMPORTANT:
Read Before Using

IMPORTANT :
Lire avant usage

IMPORTANTE:
Leer antes de usar



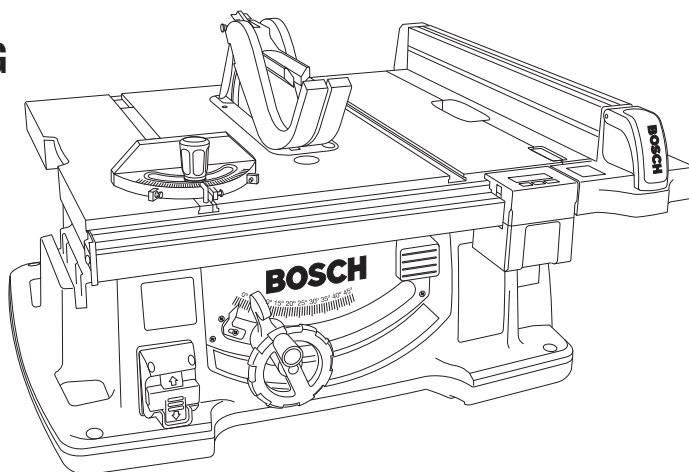
Operating/Safety Instructions

Consignes de fonctionnement/sécurité

Instrucciones de funcionamiento y seguridad

4100

4100DG



BOSCH

Call Toll Free for Con-
sumer Information
& Service Locations

Pour obtenir des informations
et les adresses de nos centres
de service après-vente,
appelez ce numéro gratuit

Llame gratis para
obtener información
para el consumidor y
ubicaciones de servicio

1-877-BOSCH99 (1-877-267-2499) www.boschtools.com

For English Version
See page 2

Version française
Voir page 45

Versión en español
Ver la página 88

General Safety Rules

WARNING “READ ALL INSTRUCTIONS” Failure to follow the safety rules listed below and other basic safety precautions may result in serious personal injury.

Work Area

KEEP CHILDREN AWAY

Do not let visitors contact tool or extension cord. All visitors should be kept away from work area.

KEEP WORK AREAS CLEAN

Cluttered areas and benches invite accidents.

MAKE WORKSHOP CHILD-PROOF

With padlocks, master switches.

AVOID DANGEROUS ENVIRONMENTS

Don't use power tools in damp or wet locations. Keep work area well lit. Do not expose power tools to rain. Do not use tool in presence of flammable liquids or gases.

Personal Safety

KNOW YOUR POWER TOOL

Read and understand the owner's manual and labels affixed to the tool. Learn its application and limitations as well as the specific potential hazards peculiar to this tool.

DON'T OVERREACH

Keep proper footing and balance at all times.

Stay alert. Watch what you are doing. Use common sense. Do not operate tool when you are tired. Do not operate while under medication or while using alcohol or other drug.

DRESS PROPERLY

Do not wear loose clothing or jewelry. They can be caught in moving parts. Rubber gloves and non-skid footwear are recommended when working outdoors. Wear protective hair covering to contain long hair.

USE SAFETY GOGGLES

Also face or dust mask if cutting operation is dusty, and ear plugs during extended periods of operation.

GUARD AGAINST ELECTRIC SHOCK

Prevent body contact with grounded surfaces. For example: pipes, radiators, ranges, refrigerator enclosures.

DISCONNECT TOOL FROM POWER SOURCE

When not in use, before servicing, when changing blades, bits, cutters, etc.

KEEP GUARDS IN PLACE

In working order, and in proper adjustment and alignment.

REMOVE ADJUSTING KEYS AND WRENCHES

When not in use, before servicing, when changing blades, bits, cutters, etc.

AVOID ACCIDENTAL STARTING

Make sure the switch is in the “OFF” position before plugging in tool.

NEVER STAND ON TOOL OR ITS STAND

Serious injury could occur if the tool is tipped or if the cutting tool is accidentally contacted. Do not store materials on or near the tool such that it is necessary to stand on the tool or its stand to reach them.

CHECK DAMAGED PARTS

Before further use of the tool, a guard or other part that is damaged should be carefully checked to ensure that it will operate properly and perform its intended function. Check for alignment of moving parts, mounting and any other conditions that may affect its operation. A guard or other part that is damaged should be properly replaced.

WARNING All repairs, electrical or mechanical, should be attempted only by trained repairmen. Contact the nearest Bosch Factory Service Center, Authorized Service Station or other competent repair service.

WARNING Use only Bosch replacement parts; any others may create a hazard.

WARNING Use only accessories that are recommended by the manufacturer for your model. Accessories that may be suitable for one tool, may become hazardous when used on another tool.

Tool Use

DON'T FORCE TOOL

It will do the job better and safer at the rate for which it was designed.

USE THE RIGHT TOOL

Don't force small tool or attachment to do the job of a heavy-duty tool. Don't use tool for purpose not intended — for example; don't use circular saw for cutting tree limbs or logs.

SECURE WORK

Use clamps or a vise to hold work. It's safer than using your hand and it frees both hands to operate the tool.

“SAVE THESE INSTRUCTIONS”

Additional Safety Rules

DIRECTION OF FEED

Feed work into a blade or cutter against the direction of rotation of the blade or cutter only.

NEVER LEAVE TOOL RUNNING UNATTENDED

Turn power off. Don't leave tool until it comes to a complete stop.

Tool Care

DO NOT ALTER OR MISUSE TOOL

These tools are precision built. Any alteration or modification not specified is misuse and may result in dangerous conditions.

AVOID GASEOUS AREAS

Do not operate electric tools in gaseous or explosive atmospheres. Motors in these tools normally spark, and may result in a dangerous condition.

MAINTAIN TOOLS WITH CARE

Keep tools sharp and clean for better and safer performance. Follow instructions for lubricating and changing accessories. Inspect tool cords periodically and if damaged, have repaired by authorized service facility. Inspect extension cords periodically and replace if damaged. Keep handles dry, clean and free from oil and grease.

▲ WARNING Before connecting the tool to a power source (receptacle, outlet, etc.), be sure voltage supplied is the same as that specified on the nameplate of the tool. A power source with voltage greater than that specified for the tool can result in serious injury to the user — as well as damage to the tool. If in doubt, **DO NOT PLUG IN THE TOOL**. Using a power source with voltage less than the nameplate rating is harmful to the motor.

▲ WARNING For your own safety, do not operate your table saw until it is completely assembled and installed according to the instructions ... and until you have read and understood the following:

1. General Safety Rules 2–5
2. Double Insulated Tools 6
3. Getting To Know Your Table Saw 9, 10
4. Assembly 12–15
5. Adjustments 16–20
6. Basic Table Saw Operation 21–41
7. Maintaining Your Table Saw 41–42

STABILITY OF SAW

Your table saw **MUST BE BOLTED** securely to a stand or workbench. In addition, if there is any tendency for the table saw to tip over or move during certain operations such as cutting long, heavy boards, use an auxiliary support.

LOCATION

Use the table saw in a well lit area and on a level surface, clean and smooth enough to reduce the risk of trips and falls. Use it where neither the operator nor the casual observer is forced to stand in line with the blade.

KICKBACK

Kickbacks can cause serious injury: A “KICKBACK” occurs when a part of the workpiece binds between the sawblade and the rip fence or other fixed object. Workpiece binding the blade due to misalignment, can also cause kickback. During kickback, workpiece rises from table and is thrown toward the operator. Keep your face and body to one side of the sawblade, out of line with a possible “KICKBACK”.

KICKBACKS AND POSSIBLE INJURY CAN USUALLY BE AVOIDED BY:

- a. Maintaining the rip fence parallel to the sawblade.
- b. Keeping the sawblade sharp. Replacing or sharpening anti-kickback pawls when points become dull.
- c. Keeping sawblade guard, spreader and anti-kickback pawls in place and operating properly. The spreader must be in alignment with the sawblade and the pawls must stop a kickback once it has started. Check their action before ripping.
- d. NOT ripping workpiece that is twisted or warped or does not have a straight edge to guide along the rip fence.
- e. NOT releasing work until you have pushed it all the way past the sawblade.
- f. Using a Push Stick for ripping widths of 2" to 6" and an auxiliary fence and Push Block for ripping widths narrower than 2" (See “Basic Saw Operation, Using The Rip Fence” section, pages 34, 35).
- g. NOT confining the cut-off piece when ripping or crosscutting.
- h. When ripping, apply the feed force to the section of the workpiece between the sawblade and the rip fence. Use Push Stick or Push Block when appropriate (See item f. above).

“SAVE THESE INSTRUCTIONS”

Additional Safety Rules

PROTECTION:

Eyes, hands, face, ears and body.

▲ WARNING TO AVOID BEING PULLED INTO THE SPINNING TOOL,

DO NOT WEAR: Loose Fitting Gloves

Loose Clothing

Necktie, Jewelry

DO: TIE BACK LONG HAIR

ROLL LONG SLEEVES ABOVE ELBOWS

a. If any part of your saw is missing, malfunctioning, has been damaged or broken ... such as the motor switch, or other operating control, a safety device or the power cord ... cease operating immediately until the particular part is properly repaired or replaced.

b. Wear safety goggles and a face shield if operation is dusty. Wear ear plugs or muffs during extended periods of operation. Small loose pieces of wood or other objects that contact the rear of the revolving blade can be thrown back at the operator at excessive speed. This can usually be avoided by keeping the guard and spreader in place for all "THRU-SAWING" operations (sawing entirely thru the work) AND by removing all loose pieces from the table with a long stick of wood IMMEDIATELY after they are cut off.

c. Use extra caution when the guard assembly is removed for resawing, dadoing, rabbeting or molding — replace the guard as soon as that operation is completed.

d. NEVER turn the saw "ON" before clearing the table of all tools, wood scraps, etc., except the workpiece and related feed or support devices for the operation planned.

e. NEVER place your face or body in line with the cutting tool.

- NEVER place your fingers and hands in the path of the sawblade or other cutting tool.

- NEVER reach in back of the cutting tool with either hand to hold down or support the workpiece, remove wood scraps, or for any other reason. Avoid awkward operations and hand positions where sudden slip could cause fingers or hand to move into a sawblade or other cutting tool.

- DO NOT perform any operation "FREEHAND" — always use either the rip fence or the miter gauge to position and guide the work.

- NEVER use the rip fence when crosscutting or the miter gauge when ripping. DO NOT use the rip fence as a length stop.

- NEVER hold onto or touch the "free end" of the workpiece or a "free piece" that is cut off, while power is "ON" and/or the sawblade is rotating.

- Shut "OFF" the saw and disconnect the power cord when removing the table insert, changing the cutting tool, removing or replacing the blade guard, or making adjustments.

- Provide adequate support to the rear and sides of the saw table for wider or long workpieces.

- Plastic and composition (like hardboard) materials may be cut on your saw. However, since these are usually quite hard and slippery, the anti-kickback pawls may not stop a kickback. Therefore, be especially attentive to following proper set-up and cutting procedures for ripping. Do not stand, or permit anyone else to stand, in line with a potential kickback.

f. If you stall or jam the sawblade in the workpiece, turn saw "OFF", remove the workpiece from the sawblade, and check to see if the sawblade is parallel to the table slots or grooves and if the spreader is in proper alignment with the sawblade. If ripping at the time, check to see if rip fence is parallel with the sawblade. Readjust as indicated.

g. NEVER gang crosscut — lining up more than one workpiece in front of the blade (stacked vertically, or horizontally outward on the table) and then pushing thru sawblade. The blade could pick up one or more pieces and cause a binding or loss of control and possible injury.

h. DO NOT remove small pieces of cut-off material that may become trapped inside the blade guard while the saw is running. This could endanger your hands or cause a kickback. Turn saw "OFF" and wait until blade stops.

11. KNOW YOUR CUTTING TOOLS

Dull, gummy or improperly sharpened or set cutting tools can cause material to stick, jam, stall the saw, or kickback at the operator. Minimize potential injury by proper cutting tool and machine maintenance. NEVER ATTEMPT TO FREE A STALLED SAWBLADE WITHOUT FIRST TURNING THE SAW OFF.

- a.** NEVER use grinding wheels, abrasive cut-off wheels, friction wheels (metal slitting blades) wire wheels or buffing wheels.

“SAVE THESE INSTRUCTIONS”

Additional Safety Rules

b. USE ONLY RECOMMENDED ACCESSORIES.

c. Crosscutting operations are more conveniently worked and with greater safety if an auxiliary wood facing is attached to the miter gauge. (See Page 31).

d. Make sure the top of the cutting tool rotates toward you when standing in normal operating position. Also make sure the cutting tool, arbor collars and arbor nut are installed properly. Keep the cutting tool as low as possible for the operation being performed. Keep all guards in place whenever possible.

- Do not use any blade or other cutting tool marked for an operating speed less than 4800 R.P.M. Never use a cutting tool larger in diameter than the diameter for which the saw was designed. For greatest safety and efficiency when ripping, use the maximum diameter blade for which the saw is designed, since under these conditions the spreader is nearest the blade.

e. Make sure the table insert is flush or slightly below the table surface on all sides except for rear side. NEVER operate the saw unless the proper insert is installed.

12. THINK SAFETY

SAFETY IS A COMBINATION OF OPERATOR COMMON SENSE AND ALERTNESS AT ALL TIMES WHEN THE TABLE SAW IS BEING USED.

⚠ WARNING Do not allow familiarity (gained from frequent use of your table saw) to become commonplace. Always remember that a careless fraction of a second is sufficient to inflict severe injury.



The operation of any power tool can result in foreign objects being thrown into the eyes, which can result in severe eye damage. Always wear safety goggles that comply with ANSI Z87.1 (shown on package) before commencing power tool operation.

⚠ WARNING Some dust created by power sanding, sawing, grinding, drilling, and other construction activities contains chemicals known to cause cancer, birth defects or other reproductive harm. Some examples of these chemicals are:

- Lead from lead-based paints,

- Crystalline silica from bricks and cement and other masonry products, and
- Arsenic and chromium from chemically treated lumber.

Your risk from these exposures varies, depending on how often you do this type of work. To reduce your exposure to these chemicals: work in a well ventilated area, and work with approved safety equipment, such as those dust masks that are specially designed to filter out microscopic particles.


NOTE AND FOLLOW SAFETY INSTRUCTIONS THAT APPEAR ON THE FRONT OF YOUR TABLE SAW.

⚠ WARNING For Your Own Safety - Read and Understand owner's manual before operating saw.

- Wear eye protection, earplugs and dust mask as needed. Know how to shut off tool in an emergency.
- Before starting any "thru-cutting" make sure:
 - blade guards are not locked in the "up" position, can freely move up and down and are resting on the table
 - riving knife is in the full "up" position
 - kick-back pawls are attached
 - depth of cut is adjusted just above workpiece thickness.
- When ripping:
 - push the workpiece only on the fence side of the blade
 - never place your non-pushing hand on the workpiece beyond the mid-point of the blade
 - fence must be parallel to blade
 - bevel cuts, use the fence only on right side of blade
 - use "Push-Stick" or "Push Block" on narrow workpieces.
- Know how to avoid risk of "Kickback". Do not press workpiece against side of spinning blade.
- Do not stand in front of spinning saw blade. Keep your body and hands to either side of blade. Never reach around or over saw blade.
- Disconnect saw from power source before servicing or changing blade. No adjustment should be made until the tool has been stopped.
- Do not allow loose cut-off pieces to be wedged between spinning blade and fence.
- Never remove jammed or cut off pieces until blade has stopped.
- Never make cuts using the miter gauge together with fence.
- Do not perform any operation "Freehand".
- Use miter gauge for crosscutting. When miter gauge is set past 45°, the wood may force the guard into blade.
- Before "non-thru cutting", remove the guard, kick-back pawls, and adjust the riving knife to the position just below the height of the saw blade. For "dado-cutting", the riving knife must be set to the lowest position.
- Support wide or long workpieces with auxiliary stands.
- Securely fasten tool base to stable platform or workbench.
- Keep saw interior free of sawdust buildup to avoid fire hazard.
- When servicing, use only identical replacement parts.
- Do not expose to rain or use in damp locations.

"SAVE THESE INSTRUCTIONS"

Double Insulated Tools

Double insulation  is a design concept used in electric power tools which eliminates the need for the three wire grounded power cord and grounded power supply system. It is a recognized and approved system by Underwriter's Laboratories, CSA and Federal OSHA authorities.

IMPORTANT: Servicing of a tool with double insulation requires care and knowledge of the system and should be performed only by a qualified service technician.

WHEN SERVICING, USE ONLY IDENTICAL REPLACEMENT PARTS.

POLARIZED PLUGS. To reduce the risk of electrical shock, your tool is equipped with a polarized plug (one blade is wider than the other), this plug will fit in a polarized outlet only one way. If the plug does not fit fully in the outlet, reverse the plug. If it still does not fit, contact a qualified electrician to install the proper outlet. To reduce the risk of electrical shock, do not change the plug in any way.

Extension Cords

Replace damaged cords immediately. Use of damaged cords can shock, burn or electrocute.

If an extension cord is necessary, a cord with adequate size conductors should be used to prevent excessive voltage drop, loss of power or overheating. The table shows the correct size to use, depending on cord length and nameplate amperage rating of tool. If in doubt, use the next heavier gauge. Always use U.L. and CSA listed extension cords.

RECOMMENDED SIZES OF EXTENSION CORDS 120 VOLT ALTERNATING CURRENT TOOLS

Tool's Ampere Rating	Cord Size in A.W.G.				Wire Sizes in mm ²			
	Cord Length in Feet				Cord Length in Meters			
	25	50	100	150	15	30	60	120
3-6	18	16	16	14	0.75	0.75	1.5	2.5
6-8	18	16	14	12	0.75	1.0	2.5	4.0
8-10	18	16	14	12	0.75	1.0	2.5	4.0
10-12	16	16	14	12	1.0	2.5	4.0	—
12-16	14	12	—	—	—	—	—	—

NOTE: The smaller the gauge number, the heavier the cord.

“SAVE THESE INSTRUCTIONS”

Table of Contents

	Page		Page
General Safety Rules	2	Rip Fence Storage	9
Additional Safety Rules	3-5	Pre-Cut Locator	9
Double Insulated Tools & Extension Cords	6-7	Miter Gauge Storage	9
Table of Contents	6	Blade Storage and Wrench	9
Glossary of Terms	7-8	Hex Wrench & Storage	10
Tools Needed For Assembly	8	Cord Wrap	10
Getting To Know Your Table Saw	9, 10	Vacuum Hook-Up	10
Power Switch	9	Rip Fence	10
Table	9	Smart Guard System	12
Base/Sub-Base	9	Smart Guard System Storage	10
Blade Bevel Lock Handle	9	Table Insert	10
Table Extension	9	Digital Carriage	
Table Extension Lock Handle	9	(Model 4100DG-09 only)	10
Elevation Wheel	9	Unpacking and Checking Contents	11
Blade Bevel Scale	9	Table of Loose Parts	11
Rip Fence Scale	9	Assembly	12-15
Miter Gauge	9	Attaching Smart Guard System	
		Components	12, 13

	Page		Page
Changing The Blade	14	Pre-Cut Locator	29
Attaching The Rip Fence	15	Using Rip Fence Pointer	29
Mounting Table Saw to Workbench	15	Using Table Pointer	29
Adjustments	16-20	Work Helpers	30
Adjusting 0 & 45 Degree Positive Stops	16	Using the Miter Gauge	31
Adjusting Blade Parallel to the		Crosscutting	32
Slot Miter Gauge	17	Repetitive Crosscutting	33
Miter Gauge Adjustment	17	Miter Cutting	34
Aligning Rip Fence	18	Bevel Crosscutting	34
Rip Fence Pointer Adjustment	18	Compound Miter Cutting	34
Table Pointer Adjustment	19	Using the Rip Fence	34, 35
Adjusting Table Insert	19	Ripping	36
Adjusting Riving Knife	19-20	Non Thru-Sawing	37
Basic Table Saw Operation	21-41	Rabbeting	37
Safety Power Switch	21	Dadoing & Molding Cutting	38-40
Smart Guard System	21, 22	Maintaining Your Table Saw	41-42
Extending Table Extension	22	Lubrication	42
Digital Carriage		Accessories	42
(Model 4100DG-09 only)	23-28	Trouble Shooting	43

Glossary of Terms

WORKPIECE

The item on which the cutting operation is being performed. The surfaces of a workpiece are commonly referred to as faces, ends and edges.

ANTI-KICKBACK PAWLS

Device which, when properly maintained, is designed to stop the workpiece from being kicked back at the operator during operation.

ARBOR

The shaft on which a cutting tool is mounted.

BEVEL

Blade angle relative to the table surface.

CROSSCUT

A cutting or shaping operation made across the width of the workpiece cutting the workpiece to length.

DADO

A non-through cut which produces a square sided notch or trough in the workpiece.

FEATHERBOARD

A device which can help guide workpieces during rip type operation by keeping workpiece in contact with

the rip fence. It also helps prevent kickback.

FREEHAND

Performing a cut without a fence, miter gauge, fixture, hold down or other proper device to keep the workpiece from twisting during the cut.

GUM

A sticky, sap-based residue from wood products. After it has hardened, it is referred to as "RESIN".

HEEL

Misalignment of the blade which causes the trailing or outfeed side of the blade to contact the cut surface of the workpiece. Heel can cause kickback, binding, excessive force, burning of the workpiece or splintering. In general, heel creates a poor quality cut and can be a safety hazard.

KERF

The space in the workpiece where the material was removed by the blade.

KICKBACK

An uncontrolled grabbing and throwing of the workpiece back toward the front of the saw during a rip type operation.

LEADING END

The end of the workpiece which, during a rip type operation, is pushed into the cutting tool first.

MOLDING

A non-through cut which produces a special shape in the workpiece used for joining or decoration.

NON THRU-SAWING

Any cutting operation where the blade does not extend through the workpiece (e.g. Dado, Rabbet).

PUSH STICK

A device used to feed the workpiece through the saw during narrow ripping-type operation and helps keep the operator's hands well away from the blade. Use the Push Stick for rip widths less than 6 inches and more than 2 inches.

PUSH BLOCK

A device used for ripping-type operations too narrow to allow use of a Push Stick. Use a Push Block for rip widths less than 2 inches.

RABBET

A notch in the edge of a workpiece. Also called an edge dado.

RIPPING

A cutting operation along the length of the workpiece cutting the workpiece to width.

REVOLUTIONS PER MINUTE (R.P.M.)

The number of turns completed by a spinning object in one minute.

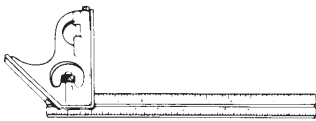
Tools Needed For Assembly



FLAT SCREWDRIVER



PHILLIPS SCREWDRIVER

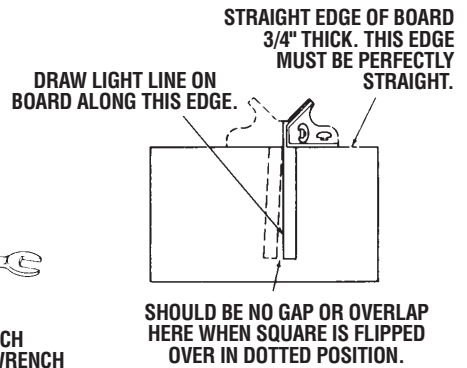


COMBINATION SQUARE



**10 mm WRENCH
OR ADJUSTABLE WRENCH**

COMBINATION SQUARE MUST BE TRUE



⚠ WARNING Disconnect plug from power source before performing any assembly, adjustment or repair to avoid possible injury.

Getting To Know Your Table Saw

1. POWER SWITCH

Switch incorporates hole for use with padlock to prevent accidental starting.

2. TABLE

Provides large working surface to support workpiece.

3. BASE / SUB-BASE

Supports table saw. Sub-base provides additional stability and ability for easy sliding onto surfaces. Holes are provided in base to bolt the saw to a workbench or stand.

4. BLADE BEVEL LOCK HANDLE

Locks the blade to desired bevel angle.

5. TABLE EXTENSION

Provides a larger work surface for wider workpieces.

6. TABLE EXTENSION LOCK HANDLE

Allows you to lock the table extension at desired distances. Also prevents use of table saw with unlocked extension.

7. ELEVATION WHEEL

Elevates or lowers the blade. Also used to tilt the blade 0 to 45 degrees.

8. BLADE BEVEL SCALE

Shows the degree the blade is tilted.

9. RIP FENCE SCALE

Shows the distance from the blade to rip fence through a convenient viewing and magnifying window. Lower portion of scale can be used up to 13.5 inches. Upper portion of scale is used for cuts beyond 13.5 inches.

10. MITER GAUGE

Head can be locked in desired position for crosscutting or mitering by tightening the lock knob. ALWAYS SECURELY LOCK IT WHEN IN USE.

11. RIP FENCE STORAGE

Conveniently stores rip fence when not in use.

12. PRE-CUT (KERF) INDICATOR

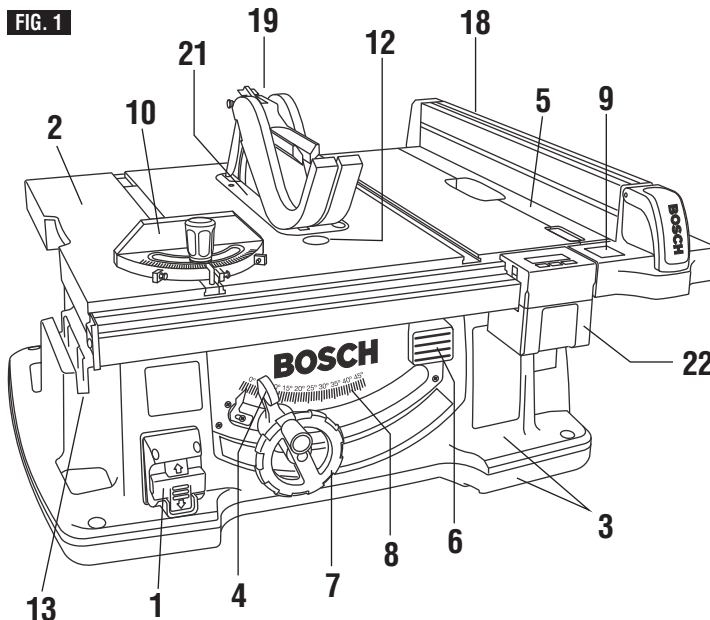
Allows you to mark and locate exactly where the blade will enter the workpiece.

13. MITER GAUGE STORAGE

Conveniently stores miter gauge when not in use.

14. BLADE STORAGE & WRENCH

Allows you to store 10" blades and arbor wrench.



Getting To Know Your Table Saw

15. HEX WRENCH

Hex wrench for removing the blade guard and adjusting various hex heads on saw.

16. CORD WRAP

Allows you to easily secure the cord so it's out of the way when transporting or storing.

17. VACUUM HOOK-UP

Your table saw is equipped for vacuum hook-up. This feature will allow you to attach any 2-1/4" vacuum hose into the dust port provided for convenient sawdust removal. An adaptor is available for use with alternate hose sizes.

18. RIP FENCE

Exclusive Self-Aligning, Squarelock rip fence can be easily moved or locked in place by simply raising or lowering lock handle.

19. SMART GUARD SYSTEM

Consists of three key elements: Adjustable (3 position) Riving Knife, Anti-Kickback Device, and Barrier Guard Device. All of these are part of a modular sys-

tem that requires no tools to assemble or unassemble. This Guard System must always be in place and working properly for all thru-sawing cuts.

20. SMART GUARD SYSTEM STORAGE

When not in use, the Main Barrier Guard and Anti-Kickback Device can be stored under the right side table extension.

21. TABLE INSERT

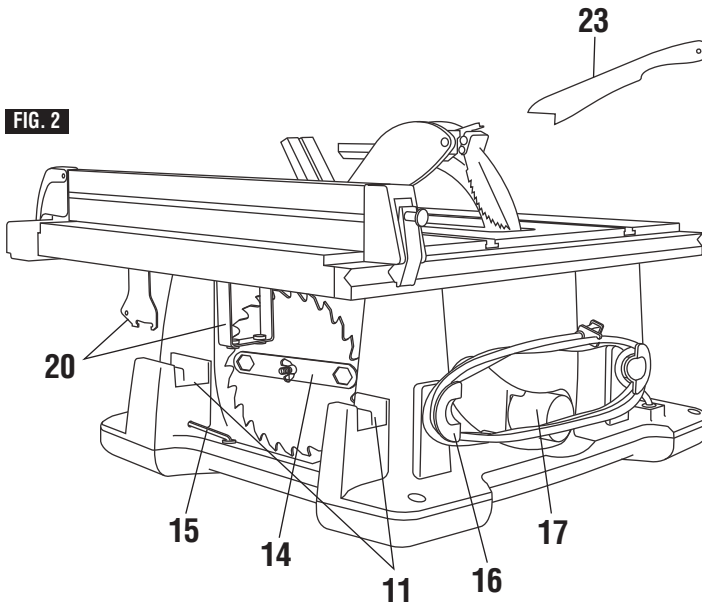
Removable for removing or installing blade or other cutting tools.

22. DIGITAL CARRIAGE (MODEL 4100DG-09 ONLY)

Provides a digital readout for fence settings with consistent accuracy and precision measurements.

23. PUSH STICK

Allows you to rip smaller pieces of stock with a greater level of safety.



Unpacking And Checking Contents

⚠ WARNING To avoid injury from unexpected starting or electrical shock during unpacking and setting up, do not plug the power cord into a source of power. This cord must remain unplugged whenever you are working on the table saw.

Model 4100 Table Saw is shipped complete in one carton.

Separate all parts from packing materials and check each one with the illustration and the list of Loose Parts to make certain all items are accounted for before discarding any packing material (Fig. 3).

⚠ WARNING If any parts are missing, do not attempt to assemble the table saw, plug in the power cord or turn the switch on until the missing parts are obtained and are installed correctly.

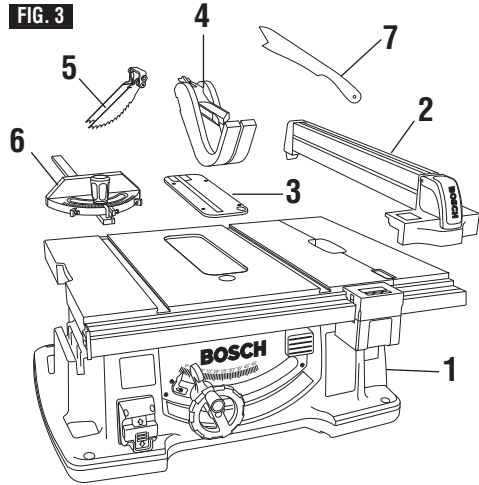
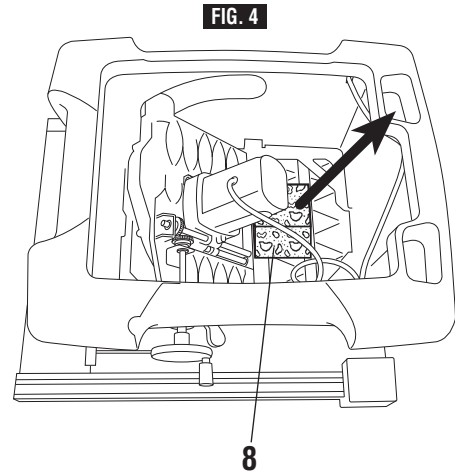


TABLE OF LOOSE PARTS

ITEM	DESCRIPTION	QTY.
1	Table Saw Assembly	1
2	Rip Fence	1
3	Table Insert	1
4	Barrier Guard Assembly	1
5	Anti-Kickback Device	1
6	Miter Gauge	1
7	Push Stick	1

NOTE: Remove styrofoam block **8** (for shipping purpose only) located between the table and motor (Fig. 4). You may cause damage to the blade elevation system if trying to raise blade if styrofoam is not removed.



Assembly

ATTACHING THE SMART GUARD SYSTEM

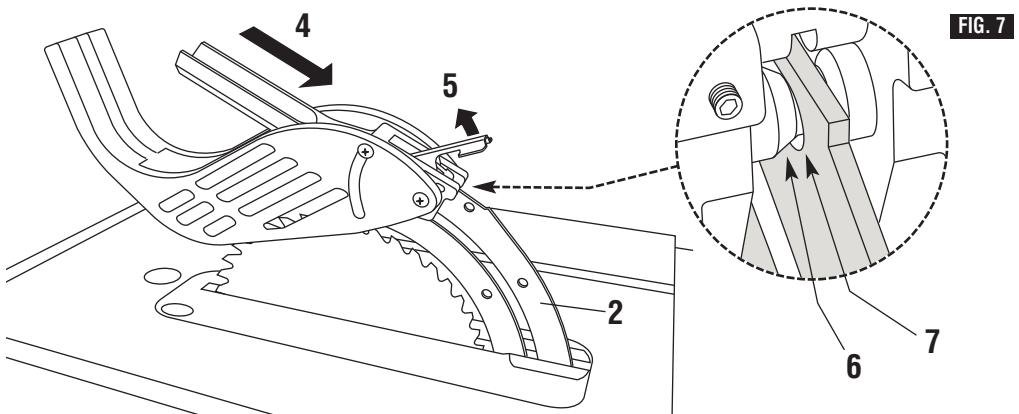
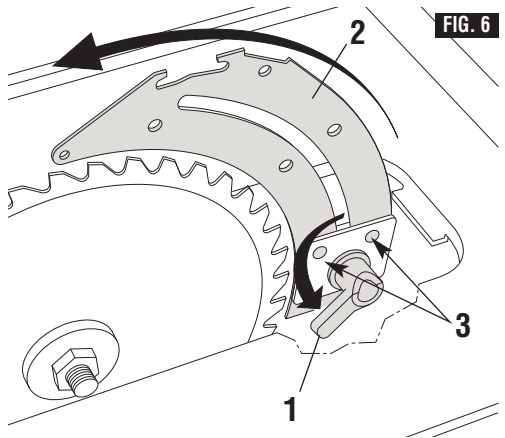
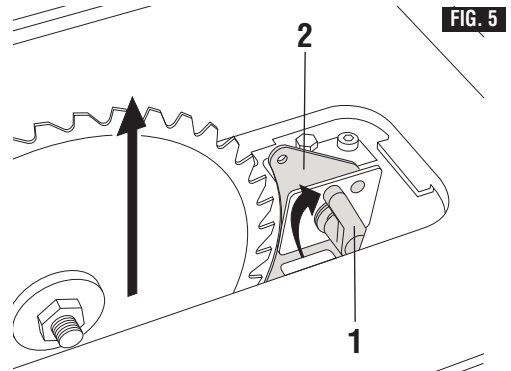
⚠ WARNING To prevent personal injury, always disconnect plug from power source before attaching or removing the Smart Guard System.

POSITIONING THE RIVING KNIFE

1. Remove table insert using finger hole.
2. Raise the blade as high as it will go and set it perpendicular to table (0° on bevel scale) (Fig. 5).
3. Rotate the riving knife release lever **1** clockwise, so that it points upward (Fig. 5).
4. Pull riving knife **2** towards release lever to disengage it from the pins **3** (Fig. 6).
5. Slide the riving knife **2** up to its highest position, so that it is directly over the center of the blade (Fig. 6).
6. Align holes in riving knife with pins **3** and lock the release lever **1** by rotating it counterclockwise. Push/pull riving knife to verify that it is locked in place (Fig. 6).
7. Replace table insert (Fig. 7).

ATTACHING THE GUARD ASSEMBLY

8. With one hand, hold the front of the barrier guard assembly **4** by the metal "fork". With the other hand, hold the guard release lever **5** up (Fig. 7).
9. Lower the rear of guard assembly and slip the cross bar **6** into the rear notch **7** on top of the riving knife **2** (Fig. 7).



10. Lower the front of the guard assembly **4** until the metal “fork” is parallel with the table (Fig. 8).
11. Press down on the guard release lever **5** until you feel and hear it snap into the locking position. Check that the guard assembly is securely connected (Fig. 8).

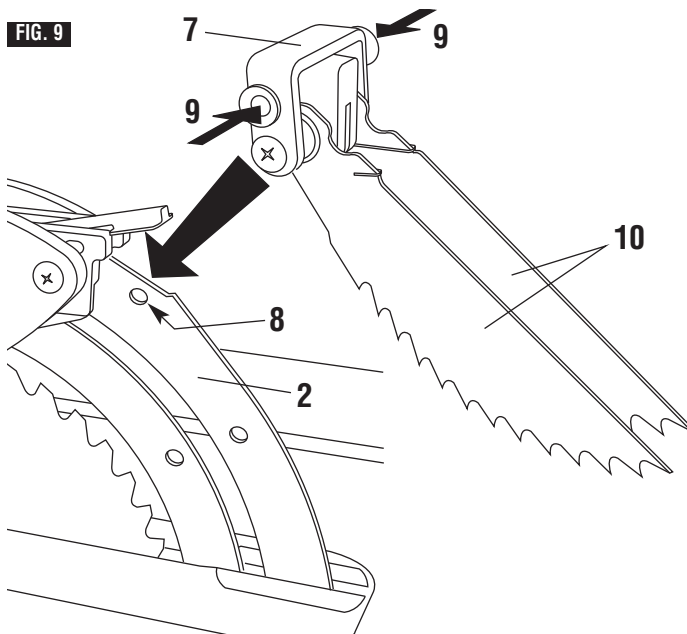
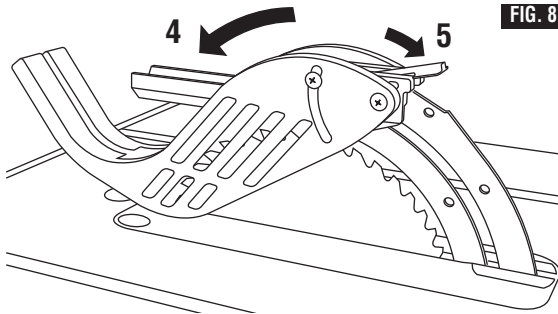
immediately behind the guard assembly. Check that the attachment pin is securely connected into locking hole. Carefully raise and lower the pawls **10** – when letting go, the spring-loaded pawls must come down and contact the table insert (Fig. 9).

ATTACHING THE ANTI-KICKBACK DEVICE

12. Attach the Anti-Kickback Device **7** into the flat recessed area **8** of the riving knife **2** (Fig. 9).
13. Squeeze the compression pads **9** while nesting the device into the flat area (Fig. 9).
14. Release the compression pads such that the Anti-Kickback Device locks onto the riving knife

Hint: Position the Anti-Kickback Device behind the flat recessed area and slide it towards the front until it drops into the recessed area – then release the compression pins.

Note: The two attachments are independant of each other, so the Anti-Kickback Device can be attached before the Guard Assembly.



CHANGING THE BLADE

⚠ WARNING To prevent personal injury, always disconnect plug from power source before changing blades.

USING THE CORRECT BLADE

IMPORTANT: The saw blade provided on this tool has a carbide-tipped kerf width of .128" and a plate (body) thickness that is .086" thick. When looking for a replacement blade, select one with dimensions close to the original blade. This information may not be printed on the blades packaging. If not, check the manufacturers catalog or website. Bosch offers an extensive line of Premium-Quality Professional Saw Blades that match the requirements for this tool. You must select a blade with a kerf width of .092" or more and a plate (body) thickness .088" or less (Fig. 10).

⚠ WARNING To reduce the risk of injury, do not use extra thin kerf saw blades. The kerf of the blade must be wider than .092". Extra thin kerf saw blades (less than .092") may cause the work piece to bind against the riving knife during cutting. It is recommended that the kerf of the replacement blade used on this saw be .092" or more.

⚠ WARNING To reduce the risk of injury, do not use saw blades made with a thick body plate. If the replacement saw blade's plate thickness is greater than .088", the riving knife would not properly serve as an aid to reduce kick-back. The replacement blade's plate thickness must be less than .088".

⚠ WARNING To reduce the risk of injury, do not use blade "dampeners," "stabilizers," or "stiffening collars" on both sides of a replacement blade. These are metal plates positioned against the sides of the blade to reduce deflection that may occur when using thin saw blades. Use of these devices on both sides will prevent the blade from being properly aligned with the riving knife, which may bind the work piece during cutting. One "stabilizer" plate may be placed only against the outside of a thin replacement blade. These plates are not required with the supplied Bosch blade.

CHANGING THE BLADE

1. Turn elevation wheel clockwise until the blade is up as high as it will go, remove table insert 1 using finger hole (Fig. 11).
2. Lift up arbor lock lever 2 and slowly rotate blade by hand until lock fully engages saw arbor and stops rotation (Fig. 11). Loosen arbor nut 3 counter clockwise with the arbor wrench 4 provided (Fig.

FIG. 10

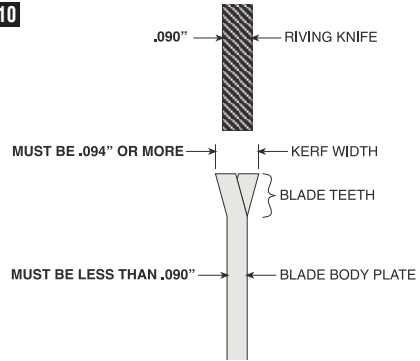


FIG. 11

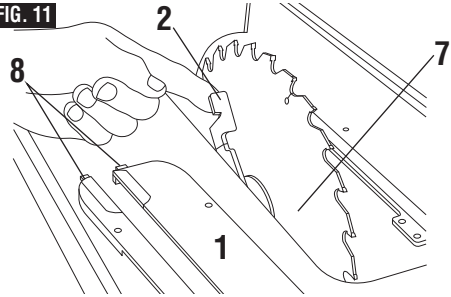
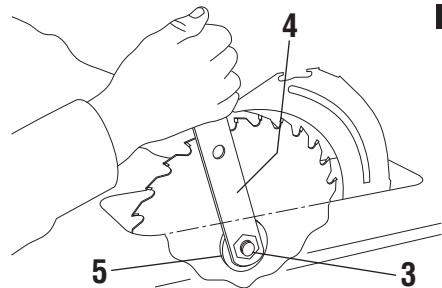


FIG. 12



- 12). Set wrench aside and continue to loosen arbor nut 3 by hand and remove arbor nut 3 and outer washer 5. Blade may now be removed or installed by sliding on or off arbor shaft 6.

3. Assemble inner washer 7 and new blade as shown in figure 13, making certain the TEETH OF THE BLADE ARE POINTING DOWN AT THE FRONT OF THE TABLE.

NOTE: The printing on different saw blades are not always on the same side.

4. Assemble outer washer 5, arbor nut 3 as shown in figure 13. While lifting up arbor lock lever 2 securely tighten arbor nut 3 clockwise with the wrench 4. (Fig. 12).

5. Position table insert in pocket of table so tabs **8** on table insert **1** are in slots in pocket of table and push down and secure in place.

ATTACHING RIP FENCE

1. Raise rip fence handle **1**, so holding clamp **2** is out far enough to fit on the table **3** and into "V" groove located on the back of rear rail (Fig. 14).
2. Position the rip fence **4** over table **3** holding up the front end, first engage holding clamp **2** with rear rail.
3. Lower front end onto front rail **5**.

MOUNTING THE TABLE SAW

If table saw is to be used in a permanent location, it should be fastened securely to a firm supporting surface such as a stand or workbench, using the four mounting holes **6** (Fig. 15).

1. If mounting to a workbench, the base should be bolted securely using 5/16" hex bolts (not included) through mounting holes **6**.

Hint: If workbench is 3/4" thick, bolts will have to be at least 3-1/2" long - if workbench is 1-1/2" thick, bolts should be at least 4-1/2" long.

2. Locate and mark where the saw is to be mounted, relative to holes in the base of the tool.
3. Drill four (4) 3/8" diameter holes through workbench.
4. Place table saw on workbench aligning holes in base with holes drilled in workbench.
5. Insert four (4) 5/16" dia. bolts through holes in base and supporting surface; then secure with (4) 5/16" flat washers and (4) 5/16" hex nuts.

FIG. 13

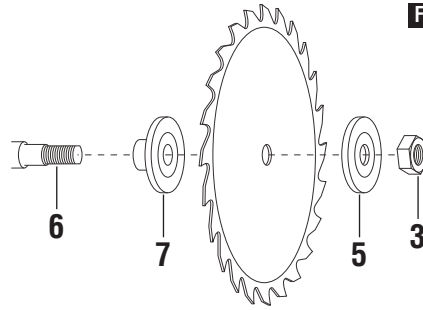


FIG. 14

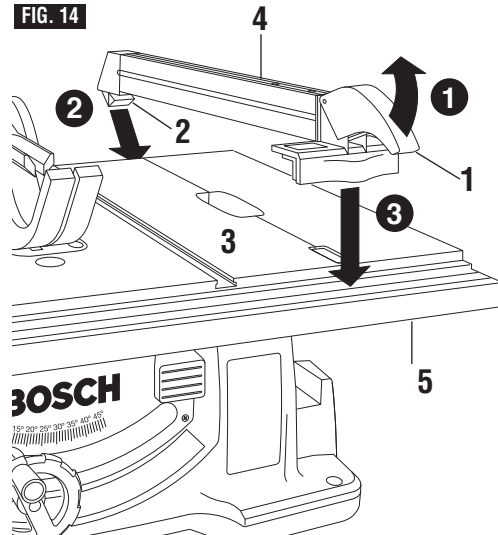
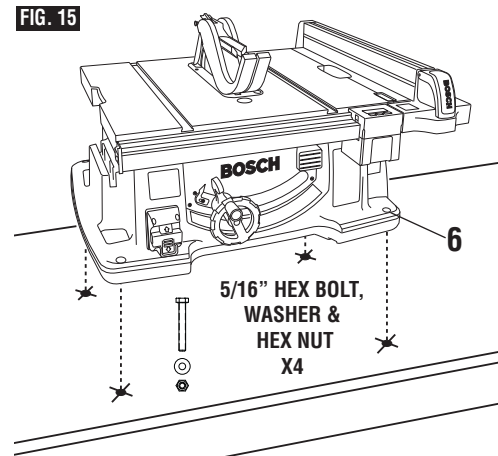


FIG. 15



Adjustments

ADJUSTING 0 AND 45 DEGREE POSITIVE STOPS

Your saw is equipped with positive stops for fast and accurate positioning of the saw blade at 90 and 45 degrees to the table.

⚠ WARNING To prevent personal injury, always disconnect plug from power source when making adjustments.

1. Turn elevation wheel **2** clockwise and raise blade to maximum height (Fig. 16).

ADJUSTING 0 DEGREE POSITIVE STOP:

2. Loosen the blade tilt lock handle **1** and push the elevation wheel **2** to the left as far as possible and tighten the blade tilt lock handle **1** (Fig. 16).
3. Place a combination square on the table with one end of square against the blade as shown (Fig. 17), and check to see if the blade is 90 degrees to the table. If the blade is not 90 degrees to the table, loosen the blade tilt lock handle **1**, loosen 90 degree adjustment screw **4**, loosen 90 degree bevel stop cam **5** and push the elevation wheel until the blade is 90 degrees to the table.
4. Tighten blade tilt lock handle **1**, rotate the bevel stop cam **5** until it touches the bevel stop housing **7**, then tighten 90 degree adjustment screw **3**.
5. Loosen adjustment screw **6** and adjust pointer **3** to indicate 0 degrees on the bevel scale.

ADJUSTING 45 DEGREE POSITIVE STOP:

6. Loosen the blade tilt lock handle **1** and push the elevation wheel **2** to the right as far as possible and tighten the blade tilt lock handle **1**.
7. Place a combination square on the table with one end of square against the blade as shown (Fig. 18), and check to see if the blade is 45 degrees to the table. If the blade is not 45 degrees to the table, loosen the blade tilt lock handle **1**, loosen 45 degree adjustment screw **8**, loosen 45 degree bevel stop cam **9** and push the elevation wheel until the blade is 45 degrees to the table.
8. Tighten blade tilt lock handle **1**, rotate the 45 degree bevel stop cam **9** until it touches the bevel stop housing **7**, then tighten 45 degree adjustment screw **8**.

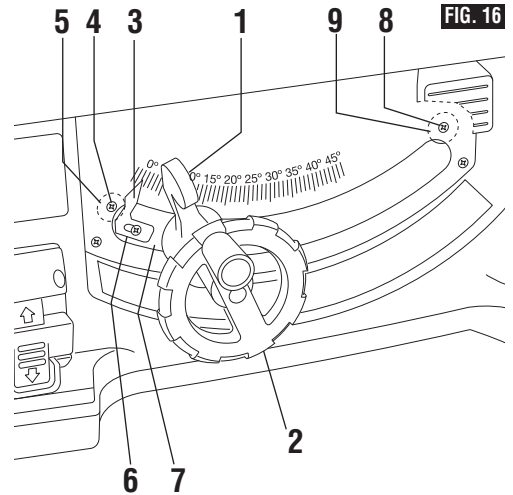


FIG. 16

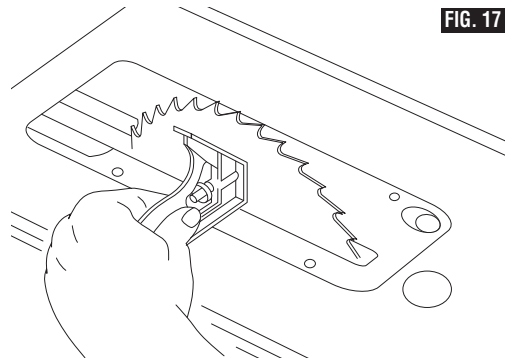


FIG. 17

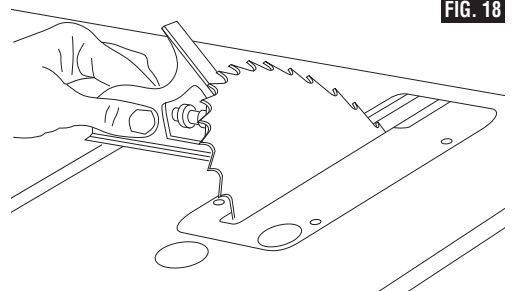


FIG. 18

ADJUSTING BLADE PARALLEL TO THE MITER GAUGE SLOTS

The blade was adjusted parallel to the miter gauge slots at the factory. In order to insure accurate cuts and help prevent kickback, this adjustment should be rechecked. If adjustment is necessary, follow the steps below.

⚠ WARNING To prevent personal injury, always disconnect the plug from power source before making any adjustments.

1. Turn elevation wheel and raise blade as high as it will go.
2. Select a point on the body of the saw blade that is set to the left when viewing blade from the front of saw, and mark **1** with a pencil (Fig. 19).
3. Place the base of a combination square against the edge of the miter gauge slot, and extend the sliding rule of square so it just touches the marked point **1** on the body of the saw blade at the rear of the table.
4. Rotate blade and check the same marked point **1** of the saw blade at the front of the table (Fig. 19).
5. If the front and back measurements, shown in Figure 19, are not identical, loosen the four alignment bolts **2**, located on the underside of the table at the front and rear of the saw with hex wrench supplied with your saw (Fig. 20 & 21). Carefully move the saw blade until the blade is parallel to the miter gauge slot, and securely tighten all four bolts.

MITER GAUGE ADJUSTMENT

To check your miter gauge accuracy, move the miter gauge in line with blade and use a combination square to make sure the miter gauge body is 90 degrees to the blade (Fig. 22).

To adjust the miter gauge for 90 degrees:

1. Loosen lock nut **3**, adjustment screw **4**, and lock knob **5**.
2. Flip stop plate **6** down.
3. Rotate miter gauge body until it is 90 degrees to the blade.
4. Tighten lock knob **5**.
5. Flip stop plate **6** up and tighten adjustment screw **4** until it contacts stop plate **6**.
6. Tighten lock nut **8**.
7. If pointer **7** is not pointing to 90 degrees, loosen set screw **8** on side of miter gauge bar and rotate pointer **7** to 90 degree mark. Tighten set screw **8**.
8. To adjust the miter gauge for 45 degrees left and right, repeat steps 1-6, but use 45 degree stops.

FIG. 19

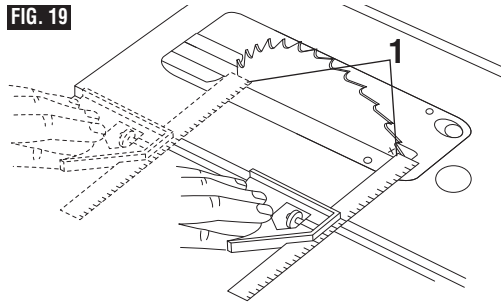


FIG. 20

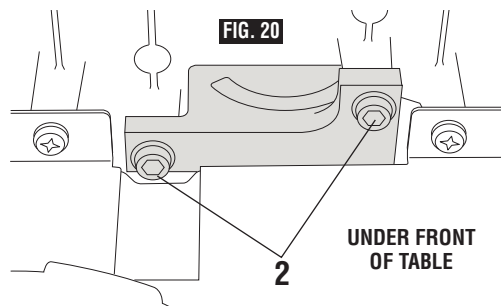


FIG. 21

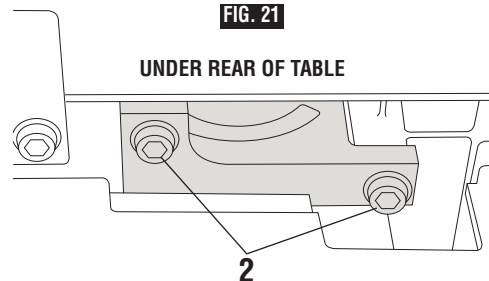
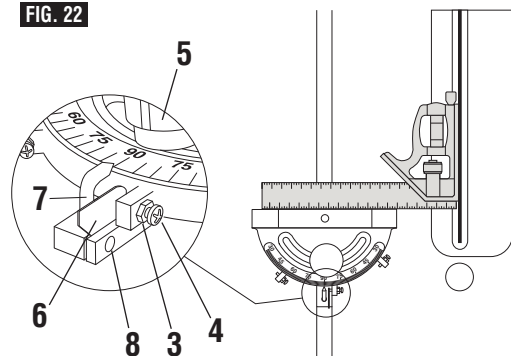


FIG. 22



ALIGNING RIP FENCE

⚠ WARNING To prevent personal injury, always disconnect plug from power source before making any adjustments. The rip fence must be parallel with the SAWBLADE in order to prevent KICKBACK when ripping.

Your table saw is equipped with a Self-Aligning, Quick-Set rip fence. Once the adjustments below have been made, the rip fence will self align when the fence is locked into position.

NOTE: The blade must be parallel with the miter gauge slots (see page 17) and be perpendicular to table before proceeding with rip fence alignment.

⚠ WARNING To prevent personal injury, always make sure the rip fence is locked before making rip cuts.

1. Lift both guard barriers 2 to their up locked position.
2. Raise lock handle 1 and slide fence 3 until it is alongside the sawblade, by lifting right side pawl 4 above fence (Fig. 23).

The fence should touch the blade teeth at the front and rear of the blade. If fence does not touch the teeth at front and rear of blade continue with the following steps:

3. Loosen the two screws 5 on the top front section of the rip fence using the included 5mm hex wrench.
4. Move fence 3 until it touches the teeth and is parallel to the blade.
5. Hold fence in place and lower lock handle, check to make sure the fence stayed parallel to the blade then tighten screws (Fig. 23).
6. Clamp rip fence to check if it holds securely at front and rear. If rear is not clamped securely, unclamp fence and turn rear clamp adjustment screw 6 clockwise for increased clamping. Try clamping the fence to verify if it self aligns and clamps tightly at the front and rear. Overtightening of the rear clamp adjustment screw 6 will cause the rip fence to be non-self aligning (Fig. 23). Overtightening may cause friction or "chatter" when fence is moved side to side.

RIP FENCE POINTER ADJUSTMENT

The distance of the rip fence body from the blade when ripping on the right side of the blade is determined by lining the pointer 7 with the desired dimension on the scale 8 (Fig. 24).

TO SET THE RIP FENCE POINTER:

1. Lift both guard barriers 2 to their up locked position (Fig. 23).
2. Raise lock handle 1 and slide fence 3 until it is alongside the sawblade, by lifting right side pawl 4 above fence (Fig. 23).
3. Loosen pointer adjustment screw 9, adjust pointer 7 to "0" mark on lower scale 8, then re-tighten screw 9 (Fig. 24).

FIG. 23

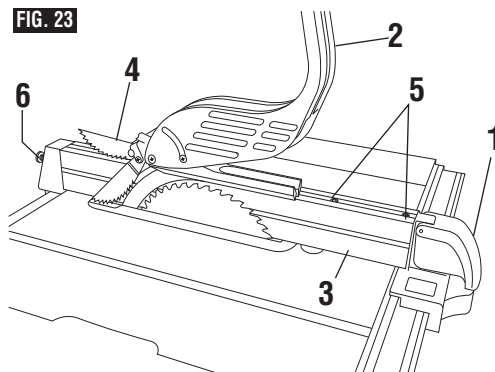


FIG. 24

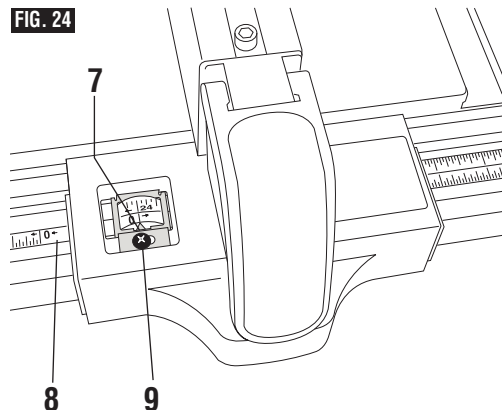


TABLE POINTER ADJUSTMENT

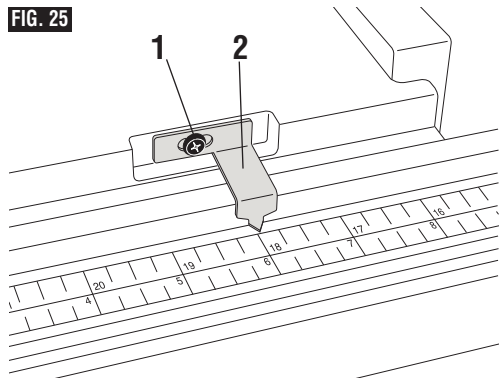
If an adjustment to the table pointer is necessary, loosen pointer adjustment screw **1**, adjust pointer **2** and tighten screw **1** (Fig. 25).

The table pointer should always be adjusted relative to fence pointer.

1. Adjust fence pointer to (zero) - see "Rip Fence Pointer Adjustment".
2. Slide fence to the right until it hits the stop plate on front rail and lock fence in place.
3. Look at fence pointer and note measurement on lower scale (at or near 13.5").
4. Adjust the table pointer **2** to the same reading on upper scale as that shown on the fence pointer. Both pointers must agree when fence is at this position.

Example: If fence pointer is at 13-9/16", then table pointer should also be set at 13-9/16".

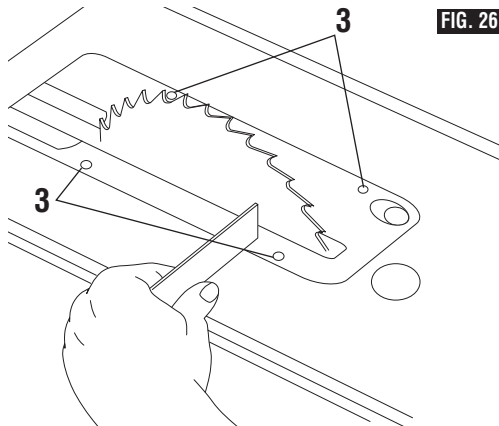
FIG. 25



ADJUSTING THE TABLE INSERT

The table insert includes four (4) adjustment screws **3** to set the height (Fig. 26). Place the insert onto the table. Place a straight edge (such as the metal ruler from a combination square) across the table top and insert top – the surfaces should be at the same level. If adjustment is necessary, use a small slotted screwdriver to rotate each set screw.

FIG. 26

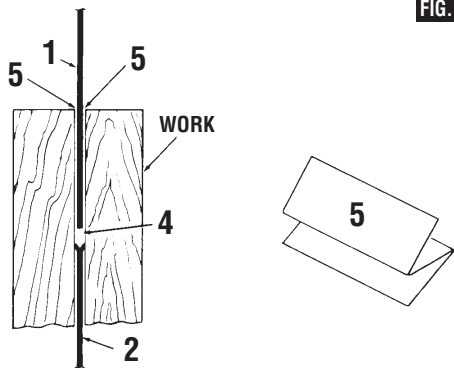


RIVING KNIFE ALIGNMENT

IMPORTANT: The Riving Knife **1** must always be in line with the Saw Blade **2**. The Riving Knife **1** is thinner than the width of the Kerf **4** by approximately three thicknesses of paper **5** on each side (Fig 27). **Note:** The Kerf is the width of the cut made by the teeth on the saw blade.

WARNING To prevent personal injury, always disconnect plug from power source before making any adjustments and when attaching or removing the Smart Guard System.

FIG. 27



LOOKING DOWN
ON SAW

CHECKING RIVING KNIFE ALIGNMENT

NOTE: The Riving Knife has been properly aligned at the factory - Check the alignment before making any adjustments.

1. Raise the Saw Blade to maximum height and set the bevel angle to 0°.
2. Remove the Barrier Guard Assembly and Anti-Kickback Device.
3. Place the Rip Fence 3 on the right side and slide it until it touches the tips of the Saw Blade 2 - Lock fence.
4. Check the alignment:
 - A. From the top, look down over the Fence and check that the Riving Knife is in line (front to back) with the blade and parallel with the fence.
 - B. Slide the fence away from the blade. Look over the front of the blade and check that the Riving Knife is in line with the blade.
 - C. If steps A or B show misalignment, proceed to "Adjusting Riving Knife".

ADJUSTING RIVING KNIFE

1. Raise the Saw Blade 2 to maximum height and set the bevel angle to 0°.
2. Remove the Barrier Guard Assembly and Anti-Kickback Device.
3. Remove the Table Insert.
4. Place the Rip Fence 3 on the right side and slide it until it touches the tips of the Saw Blade 2 - Lock fence.
5. Loosen Hex Nut 6 with 10mm open end wrench (Fig. 28). Slightly loosen Clamping Screws 8 (1/4-1/2 turns) using a 5mm Allen wrench provided with table saw (stored in right side of base). Loosen Set Screw 7 using a flat screwdriver (Fig. 28).
6. Make two folds in a small piece of paper (6" x 6") forming three layers (Fig. 27). Paper 5 is used as a "Spacing Gauge".

NOTE: The spacing instructions above are based on using a standard kerf blade (.128" kerf on the Bosch blade included). If a smaller kerf blade is used, adjust the paper spacer. For instance, if the kerf of the replacement blade is near .100", use 1 thickness of paper as a spacer; if the kerf is near .110", use 2 thicknesses.
7. Insert folded paper 5 between Riving Knife 1 and Fence 3.
 - A. Hold Riving Knife and paper firmly against Fence (Fig. 28 & 29).

- B. Lightly tighten the clamp screws 8.
- C. Remove the paper - Slide fence away from blade.
- D. Slowly turn the Set Screw 7 while watching the Riving Knife tilt until it is in line with the blade.
- E. Recheck squareness of riving knife to table by sliding fence against blade. Readjust if necessary.

8. After completing adjustments:

- A. Lightly tighten hex nut 6 (hold set screw position with screwdriver while tightening nut).
- B. Fully tighten Clamp Screws 8 with Allen wrench. Then fully tighten the hex nut.

NOTE: Check that the riving knife stays in line with blade when the blade is tilted at any angle. Replace the Barrier Guard Assembly and Anti-Kickback Device before making cuts.

FIG. 28

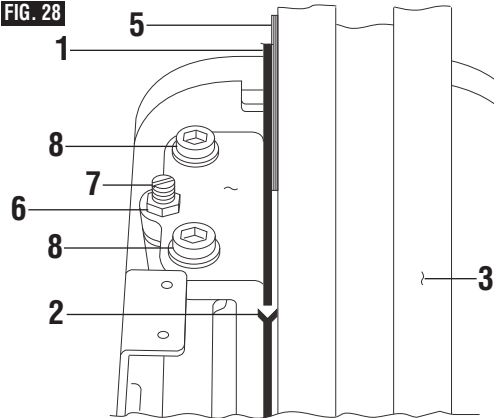
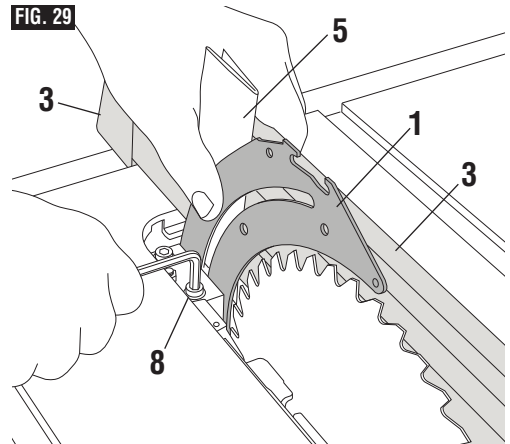


FIG. 29



Basic Table Saw Operation

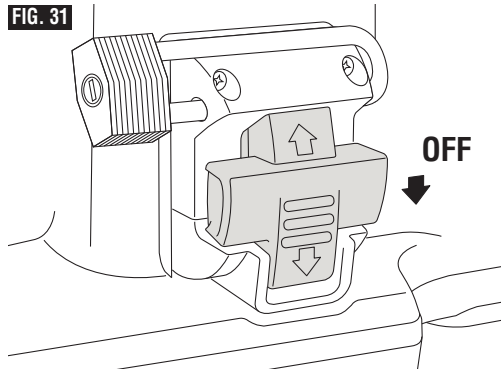
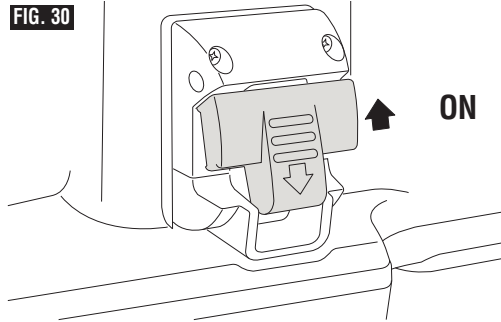
SAFETY POWER SWITCH

NOTE: This table saw has a safety feature that helps prevent accidental starting.

To turn saw on: lift switch lever by pinching side walls and pulling up. This action starts the saw (Fig. 30)

To turn off power: push switch lever down to its original position (Fig. 31).

To prevent unauthorized use, the switch can accommodate a padlock with a long, 3/16" or 1/4" diameter shackle (not provided with table saw), (Fig. 31).



SMART GUARD SYSTEM

The Bosch Smart Guard has been designed for modularity, enabling the use of multiple combinations of the three main components – Main barrier guards, Anti-kickback device, and riving knife. Additionally, the riving knife can be quickly adjusted to three positions (high, middle, and stored), depending on the application requirement.

Component Parts (figure 32):

1 Riving Knife

The Riving Knife is the central element of the Bosch Smart Guard blade guarding system, serving as the attachment point for both the Main Barrier Guard and the Anti-Kickback Device. In the event that the Main Barrier Guard and Anti-Kickback Device are removed, the Riving Knife maintains its functionality as material splitter, and is adjustable to three positions. Because of this adjustability, the Riving Knife can be appropriately positioned for all cutting applications.

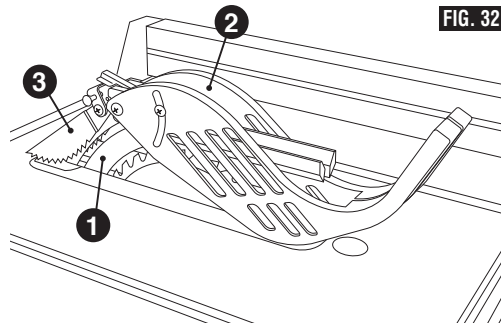
2 Main Barrier Guard

The main guard is comprised of a pair of plastic barriers attached to the metal upper barrier guard. The side barriers (one to the left and one to the right of the blade) operate independently of one another, maintaining maximum blade coverage during cutting operations. The main guard incorporates a quick-connect attachment point and can be attached or removed from the blade guarding system independent of the Anti-Kickback Device and Riving Knife.

Note: To best secure the main guard for transport, adjust the blade to its lowest position. This keeps the guard tight to the table surface and prevents damage related to the guard swinging during transport.

3 Anti-Kickback Device

In the event of kickback, the Anti-Kickback Device, (also known as dogs, or pawls) is intended to help prevent the board from being thrown in



the direction of the user. The sharp teeth of the pawls are intended to "catch" the material in the event of kickback.

ATTACHMENT/REMOVAL

(see pages 12 & 13 for detailed instructions)

The three primary components of the Smart Guard blade guarding system are designed for rapid attachment, adjustment, and/or removal without the need for additional tools.

The Main Barrier Guard component can be quickly attached and detached through the use of a quick

release lever. The guard is attached by seating the crossbar into the top of the Riving Knife and engaging the locking lever. Following this process in reverse, the guard can be easily removed for special operations such as dados or rabbets.

The Anti-Kickback Device can be easily attached by aligning the attachment pin with the hole in the rear of the riving knife. It can be easily removed by depressing the compression pads on either side of the Anti-Kickback Device and lifting it away.

The Riving Knife can be easily adjusted to one of three heights by removing the table insert, raising the blade to its full height and releasing the riving knife release lever at the base of the Riving Knife. The Riving Knife should be locked in its highest position for use with the Main Barrier Guard and Anti-Kickback Device. It can be adjusted to its middle position for non-through cuts and for use as a material splitter without the Main Barrier Guard and Anti-Kickback Device.

In the event that the Riving Knife can not be used for a specific cut, it can be adjusted to its lowest position, thus placing it 1" above the surface of the table (while the blade is at its full height).

SYSTEM STORAGE

When not in use, the Main Barrier Guard and Anti-Kickback Device can be stored under the right side table extension.

▲ WARNING Use of all the components of the Smart Guard System, including Main Barrier Guard, Anti-Kickback Device, and Riving Knife is highly recommended to provide protection against accidents and injury.

1. Slide the Main Barrier Guard assembly (upside down) up and back into the U-bracket at the rear right side of the saw (Fig. 33).
2. Pivot the rear of the guard up and into the front mounting bracket.
3. Lock the Main Barrier Guard assembly into place in the same manner as you would attach it to the Riving Knife (Fig. 34).
4. Attach the Anti-Kickback Device to the hanging bracket in the same manner that it attaches to the Riving Knife.

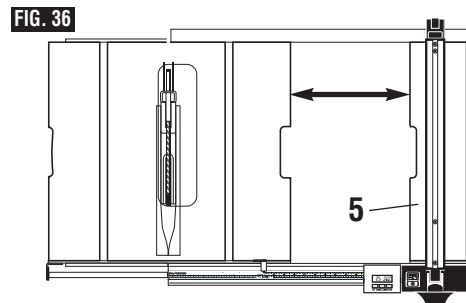
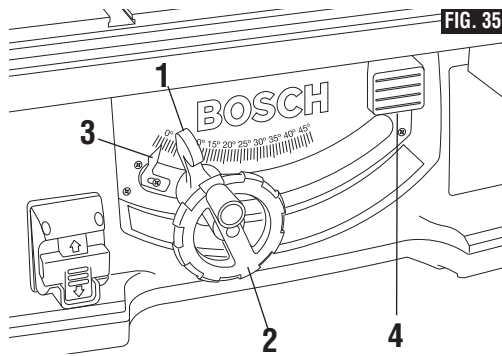
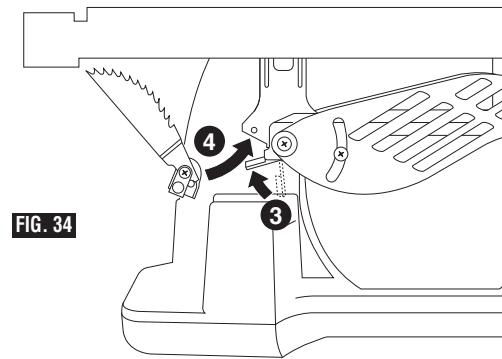
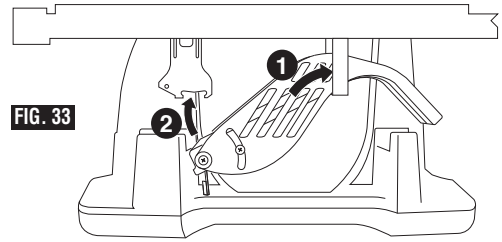
BLADE BEVEL CONTROL

Loosen blade bevel lock handle 1 counterclockwise (Fig. 35), slide the elevation wheel 2 until pointer 3 is at desired angle and tighten blade tilt lock handle 1 clockwise.

EXTENDING TABLE EXTENSION

To extend the table, raise the table extension lock handle 4 (Fig. 35) and slide table extension 5 to desired width (Fig. 36). To secure table setting, lower

the lock handle 4.



**BOSCH DIGITAL CARRIAGE MODEL DC010
(On Table Saw Model 4100DG-09)**

The Bosch Model DC010 Digital Carriage is a precision measuring accessory that is used with the 4100 table saw's rip fence. The digital carriage will accurately display the distance between the saw's blade and the working side of the fence before the operator makes a rip cut. The display can be set to show inch (3 mode variations) or metric measurements. The digital information displayed on the carriage is in addition to the analog measurements seen where the fence pointer or table pointer refers to the inch scale on the table saw's front rail. The 4100 table saw can be preset to make rip cuts without using the digital carriage – see pages 24-27

Note: This digital carriage is only used when making rip cuts and should be placed in the left most "parking position" when the saw is used for making other types of cuts.

FEATURES (see figures 37 & 38)

- ON/OFF button 2** :turns display ON or OFF.
- UNITS button 3** :sets display's unit of measurement.
- RESET button 4** :resets the display to a zero measurement.
- LCD Display 5** :displays digital measurements and battery condition.
- Magnets 6** :connects digital carriage to side of fence 9 or parking plate 10.
- Battery cover 7** : (not shown) opens to access 9V battery.
- Connector plate 8** : connects saw's rip fence 9 to digital carriage 1.
- Parking plate 10** : holds digital carriage 1 when not being used.

**INSTALLING 9 VOLT BATTERY
(see figures 37 & 38)**

The digital carriage includes a 9 Volt Alkaline Battery – remove the battery from its package. Slide the digital carriage to the "parking position" where the left magnet 6 is in contact with the parking plate 10. Position the 4100 table saw on its side and with the digital carriage resting on the parking plate. Using a screwdriver, loosen the screw holding the battery cover 7 (not shown) located on the bottom. Remove the cover - the loosened screw should remain with the cover. Pull out the wires with the 9 volt battery connector with snap on endings – connect to new battery by firmly pressing the connector on to the

battery terminals. Put the battery into its container and screw the battery cover back in place.

Note 1: The digital carriage is designed to work best when using a high quality 9 Volt Alkaline Battery.

Note 2: Only when installing a new battery, all graphic segments in the LCD display will turn on (a display test) for a short period of time (5 seconds), and then the display will change to the 1/16 INCH mode (default mode). The display can be turned off by following the ON/OFF button instructions below or just do nothing for approximately one minute and it will automatically turn off.

FIG. 37

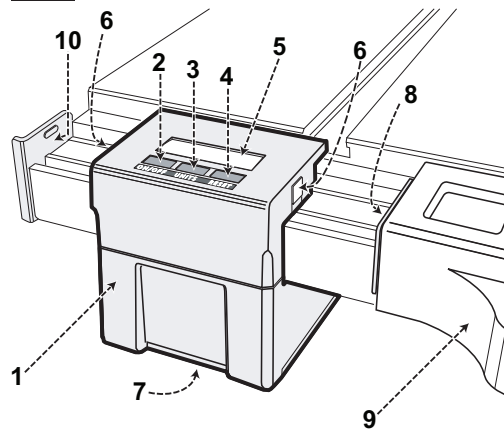


FIG. 38



DISPLAY TEST

CONTROL BUTTONS AND DISPLAY

**ON/OFF BUTTON AND MEMORY (see figure 39)
To turn the display ON:**

Press firmly on the ON/OFF button 2. Note: The digital carriage's display 5 maintains a memory of the unit mode it was in when last turned off. When turned on, the display 5 will show the last measurement it was at when previously used. This memory is desirable because of the Automatic Shut Off feature (see below) - when the fence is left at a preset position and the user turns the carriage back on to continue use. If the user wishes to start with the display 5 showing a zero measurement, then the RESET button will be used.

TO TURN THE DISPLAY OFF:

Press firmly and hold down on the ON/OFF button 2. To avoid accidentally turning the display off, the button needs to be held down for 2-3 seconds time. The system's memory will remember the last mode and measurement when the display is turned off.

AUTOMATIC SHUT OFF

There is an automatic shut off feature – this is included to conserve battery life. If there is no activity by moving the digital carriage or pressing any of the function buttons, the display will automatically shut off in approximately 1 minute.

NOTE: The digital carriage will remember the last measurement it was left at when the automatic shut off happens – to restart, press the ON/OFF button.

UNITS BUTTON (see figures 39 & 40)

The digital carriage will display one of 4 measurement modes – each mode uses a different unit of measurement:

- 1) **1/32 INCH** (fractional) mode – as the carriage moves, the display value increases or decreases by 1/32 of an inch
- 2) **1/16 INCH** (fractional) mode – as the carriage moves, the display value increases or decreases by 1/16 of an inch
- 3) **INCH** (decimal) mode - as the carriage moves, the display value increases or decreases by .01 (1/100 of an inch)
- 4) **MM** (decimal) mode - as the carriage moves, the display value increases or decreases by .5 (1/2 of a millimeter)

Each press on the **UNITS** button 3 will change the display 5 mode to another.

RESET BUTTON (see figures 39 & 40)

Pressing the RESET button 4 will bring the display down to a zero value – this is normally used to “zero out” the display when the fence is against the blade. Press firmly and hold down on the RESET button 4 to “zero out” the display 5. To avoid accidentally resetting the display to zero, the button needs to be held down for 2-3 seconds time.

- 1) **1/32 INCH** mode – display will show **0/32**
- 2) **1/16 INCH** mode - display will show **0/16**
- 3) **INCH** (decimal) mode - display will show **.00**
- 4) **MM** (decimal) mode - display will show **.0**

The display mode is controlled by the UNITS button setting.

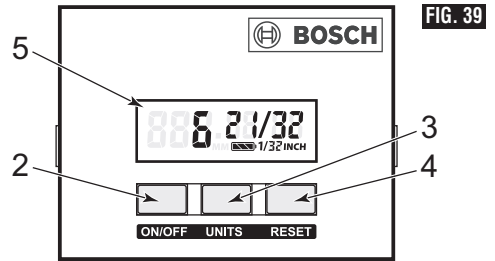


FIG. 39



1/32 INCH mode



1/16 INCH mode



Decimal INCH mode



Decimal MM mode

FIG. 40

“ZERO OUT” THE DISPLAY (see figures 40 & 41)

When using the digital carriage for the first time, it is normally required to slide the fence against the blade (with the digital carriage attached) in order to “zero out” the display – thereafter, any movement of the fence away from the blade will be shown on the carriage display.

TO “ZERO OUT”:

- 1) Connect fence to digital carriage
- 2) Lift fence lock handle
- 3) Lift up the plastic side blade guard until it ‘clicks’ into it’s up position – then lift and hold up the pawl of the anti-kickback device (careful – teeth are sharp!)
- 4) Slide fence (with carriage) until it contacts the raised saw blade, then lock down the fence handle
- 5) Press RESET button until the “0” setting is shown
- 6) Unlock fence handle - move fence away from blade, and lower pawl and side blade guard.

Stop fence movement when the desired setting is displayed – always push down fence lock handle before starting cut.

Note 1: For accuracy, the carriage needs to separately “zero out” for each side of the blade – If the carriage is set for rip cuts to the right of the blade, and the user switches to make rip cuts to the left of the blade, the “zero out” procedure will have to be done again.

Note 2: The digital carriage can be reset to zero at any position of the fence – this may be useful when adding or subtracting from a preset position.

Example: (display set in the 1/32 INCH mode). If the fence and digital carriage is moved to where it shows 6-3/32 inches (or any positive value) and the user wishes to move the fence from that spot to be 3/4 inch less – the user can “zero out” the display so that it shows 0/32 inches and then move the fence to the left until the display shows “- 3/4 INCH”; or if the user wishes move the fence to be 3/4 inch more, the user can “zero out” the display so it shows 0/32 and move the fence to the right until the display shows “3/4 INCH”. However, for the next new setting, the user will have to RESET and “zero out” (against the blade).

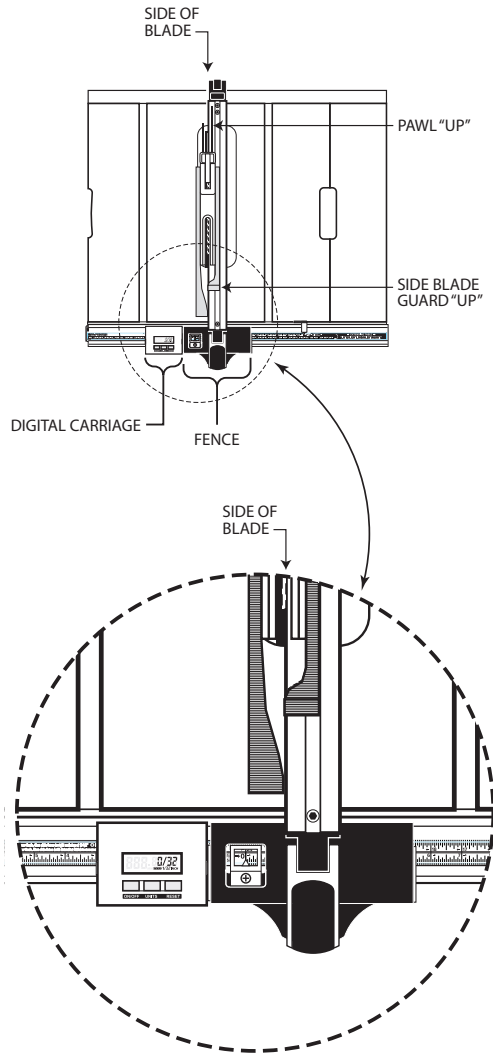
DISPLAY CHANGES – Right of “0”

The display numbers will go up when moving the carriage to the right of the “0”.

DISPLAY CHANGES – Left of “0”

The display numbers will go up (and the minus sign “-” will appear) when moving the carriage to the left of the “0”.

FIG. 41



MINUS SIGN (see figure 42)

The left side of the display includes the minus sign icon “-“. Any time the digital carriage is moved to the left of the “0” setting, the “-“(minus sign) will appear.

BATTERY ICON (see figure 42)

The display includes a battery icon to indicate the battery life condition. The icon has 3 internal bars and an outline.

ICON – INDICATOR

LIFE

3 Bars and Outline lit	FULL
2 Bars and Outline lit	3/4 left
1 Bar and Outline lit	1/2 left
Outlines lit -“Low”	1/4 left – “low”
“Flashing” Outline	“Very low” - REPLACE

See “Installing the 9 Volt Battery” instructions above.

CONNECTING DIGITAL CARRIAGE TO RIP FENCE (see figure 37)

The digital carriage 1 can be magnetically connected to the either side of the rip fence 9 or to the parking plate 10.

Connecting for rip cuts on right side:

Slide digital carriage 1 to the left side of blade - Place the fence 9 to the right of the blade and slide the digital carriage 1 until its right magnet 6 contacts the fence’s left connector plate 8. Connecting the digital carriage to the left of the rip fence increases the saws right side cutting capacity.

Connecting for rip cuts on left side:

Slide digital carriage 1 to the right side of blade - Place the fence 9 to the left of the blade and slide the digital carriage 1 until its left magnet 6 (not shown) contacts the fence’s right connector plate 8 (not shown). Connecting the digital carriage to the right of the rip fence increases the saws left side cutting capacity.

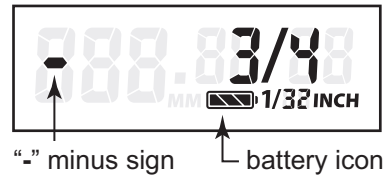
PARKING DIGITAL CARRIAGE:

When not making rip cuts, it is recommended that the digital carriage 1 is placed in the “parking position”. Slide the carriage 1 to the extreme left so its left magnet 6 (not shown) contacts the parking plate 10.

DISCONNECTING FENCE FROM CARRIAGE:

Release the fence lock handle 11 and lift the front of the fence 9. The fence’s connector plate 8 will easily slide off the carriage’s magnet 6.

FIG. 42



SETTING FENCE WITH DIGITAL CARRIAGE

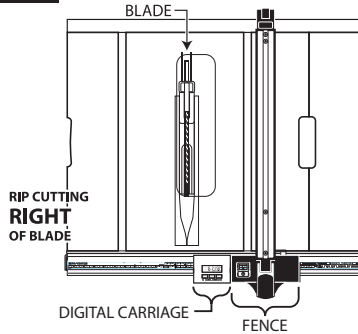
Right Side Rip Cuts 0" to 13-1/2" (fig. 43)

Connect fence to the right side of the digital carriage. If necessary, follow "Zero Out" instructions above.

- 1) Pull up to release the fence lock handle.
- 2) Move fence away from blade.
- 3) Stop movement when the desired setting is displayed on the carriage.
- 4) Push down fence lock handle before starting cut.

Follow normal rip cut procedures – see page 36.

FIG. 43



Extended Right Side Rip Cuts

13-1/2" to 25" (fig. 44)

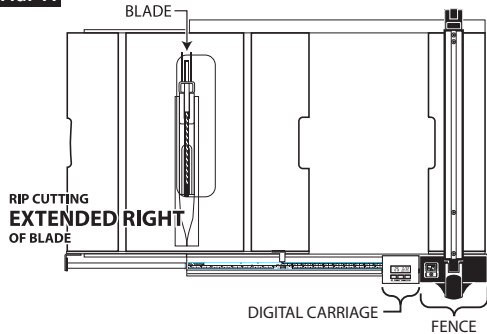
Connect fence to the right side of digital carriage. If necessary, follow "Zero Out" instructions above.

- 1) Pull up to release the fence lock handle.
- 2) Move fence away from blade.
- 3) Stop movement when the fence contacts the front rail right stop plate (at around 13-1/2 inches).
- 4) Push down fence lock handle before starting cut.
- 5) Lift saw's table extension lock handle (under front rail) to unlock.
- 6) Continue to move locked fence and extension table to the right until the desired setting is displayed on the carriage (maximum is 25").

- 7) Press down on table extension lock handle to lock.

Follow normal rip cut procedures – see page 36.

FIG. 44



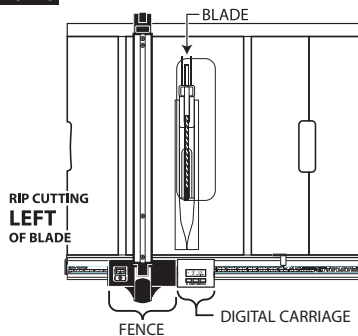
Left Side Rip Cuts (fig. 45)

Connect fence to the left side of the digital carriage. If necessary, follow "Zero Out" instructions above.

- 1) Pull up to release the fence lock handle.
- 2) Move fence away from blade.
- 3) Stop movement when the desired setting is displayed on the carriage – movement to the left of "0" will cause the "-" (minus sign) to appear.
- 4) Push down fence lock handle before starting cut.

Follow normal rip cut procedures – see page 36.

FIG. 45



Bevel Rip Cuts - Right side only

Connect fence to the left side of the digital carriage. If necessary, follow “Zero Out” instructions above (with blade set at 0 bevel).

- 1) Pull up to release the fence lock handle.
- 2) Move fence away from blade.
- 3) Stop movement when the desired setting is displayed on the carriage.
- 4) Set the desired bevel angle.
- 5) Push down fence lock handle before starting cut – the bottom edge of the cut material will equal the distance shown on the display.

WARNING Making bevel rip cuts with the fence to the left of the blade is not recommended as this may contribute to a kickback situation. The digital carriage cannot be set to make accurate rip cuts with the fence to the left.

Follow normal bevel rip cut procedures – see page 36.

MAINTAINING THE DIGITAL CARRIAGE

Parking Position (see figure 46)

When making any cuts that do not use the fence, the digital carriage should be put in the “parking position”. Slide the digital carriage **1** to the extreme left end on the saw’s front rail until the left magnet **6** contacts the parking plate **10**.

Note: The digital carriage should always be in the parking position before opening or closing the Gravity Rise folding stand with the 4100 table saw.

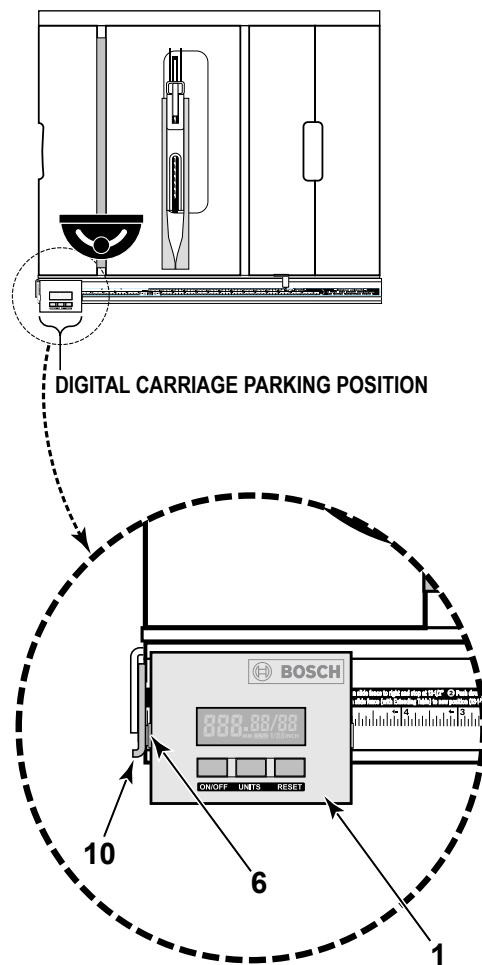
CLEANING

DUST: To keep the carriage moving smoothly, remove excessive saw dust or other debris from the carriage and table saws’ front rail. Turn off the saw and unplug the power cord before cleaning. Use a soft cloth or brush or a compressed air device set at low pressure.

MOISTURE: Do not allow the digital carriage to be exposed to rain. If moisture needs to be removed, unplug the saw, and wipe carriage with a soft cloth.

CLEANING AGENTS: Do not use any cleaning solvents, oils, or lubricants on the digital carriage.

FIG. 46



PRE-CUT LOCATOR

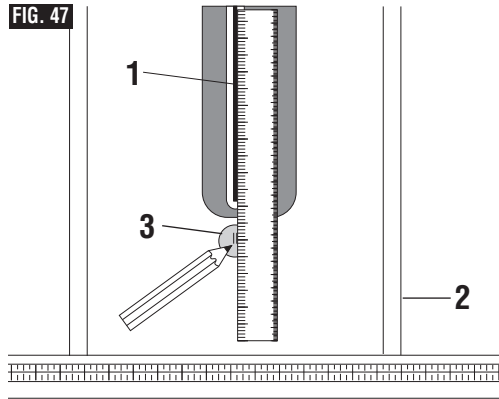
Allows you to mark and locate exactly where the blade will enter the workpiece.

Always make sure table saw is turned off and unplugged.

Set blade **1** at 90 degrees square to table. Using a straight edge and a soft pencil, place straight edge **2** against both sides of blade and mark lines on locator **3** (Fig. 47). These lines indicate the "path" of the cut (kerf) made by the blade.

When cutting the workpiece, line up mark on workpiece with the line on the disc (Fig. 48).

FIG. 47



USING THE RIP FENCE POINTER WHEN TABLE IS NOT EXTENDED

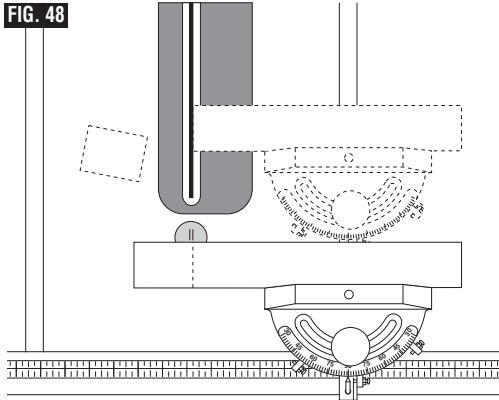
The rip fence pointer shows the distance from the blade to rip fence through a convenient viewing and magnifying window.

Align rip fence pointer **4** with lower portion of scale **5**. The lower scale can be used for widths up to 13.5 inches (Fig. 49).

USING THE TABLE POINTER WHEN TABLE IS EXTENDED

The upper portion of scale **6** is used for rip cut 13.5 to 25 inches. Align table pointer **7** with upper portion of scale **6** (Fig. 49).

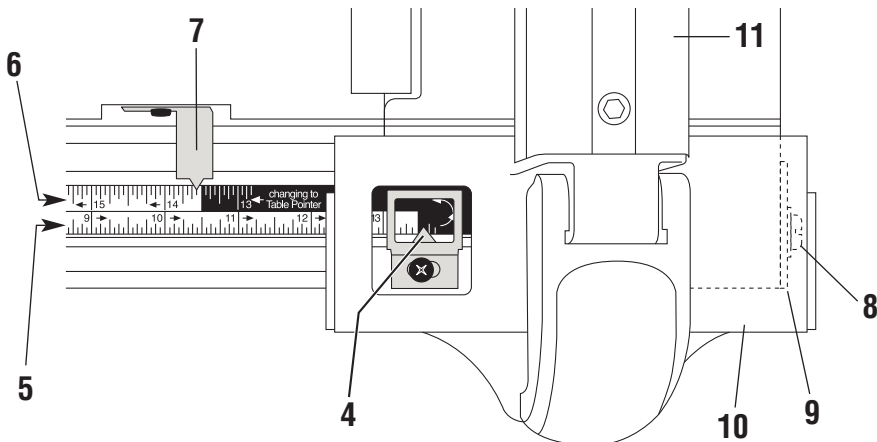
FIG. 48



MAKING RIP CUTS BEYOND 25 INCHES WITHOUT THE USE OF SCALE

When positioning fence for maximum rip without the use of scale, loosen screw **8** and lower plate **9** below the head **10** of the rip fence **11** (Fig. 49). DO NOT rip or cut dados or moldings with the fence beyond this position because it cannot be locked.

FIG. 49



WORK HELPERS

Before cutting any wood on your saw, study all of the "Basic Saw Operations".

Notice that in order to make some of the cuts, it is necessary to use certain devices, "Work Helpers", like the Push Stick, the Push Block and the Auxiliary Fence, which you can make yourself.

After you have made a few practice cuts, make these "helpers" before starting any projects. Make the "Push Stick" first.

PUSH STICK AND PUSH BLOCK

Make the Push Stick 1 using a piece of 1 x 2 as shown (Fig. 50).

Make the Push Block 2 using pieces of 3/8" plywood 3 and 3/4" hardwood 4 (Fig. 51). For proper use of push block (see page 36).

The small piece of wood, 3/8" x 3/8" x 2-1/2", should be GLUED to the plywood... DO NOT USE NAILS. This is to prevent dulling the sawblade in the event you mistakenly cut into the Push Block.

Position the handle in the center of the plywood and fasten together with glue and woodscrews.

Use a push stick whenever the fence is 2 inches or more from the blade. Use a push block when the operation is too narrow to allow the use of a push stick. For proper use, see page 36.

Both a push stick or block should be used in the place of the user's hand to guide the material only between the fence and blade.

When using a push stick or push block, the trailing end of the board must be square. A push stick or block against an uneven end could slip off or push the work away from the fence.

AUXILIARY FENCE

Make one using pieces of 3/8" plywood 3 and 3/4" hardwood 4. Fasten together with glue and wood-screws (Fig. 52).

NOTE: Since the Push Block 2 is used with the Auxiliary Fence 5, the 4-3/4" dimensions must be held identical on both the pieces.

MAKING A FEATHERBOARD

Figure 53 illustrates dimensions for making a typical featherboard. It should be made from a straight piece of wood that is free of knots or cracks.

Kerf 5 should be about 1/4" apart (fig. 53).

FIG. 50

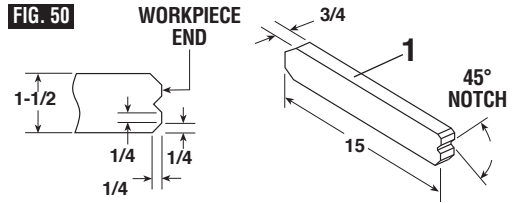


FIG. 51

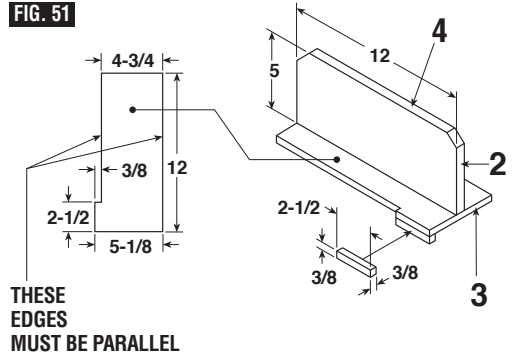


FIG. 52

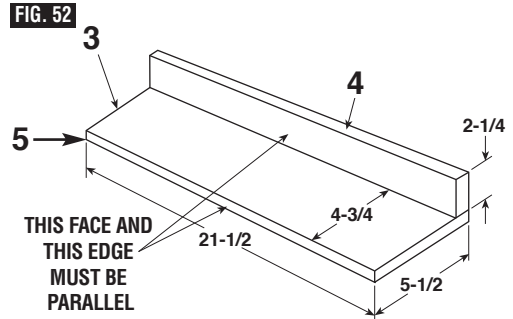
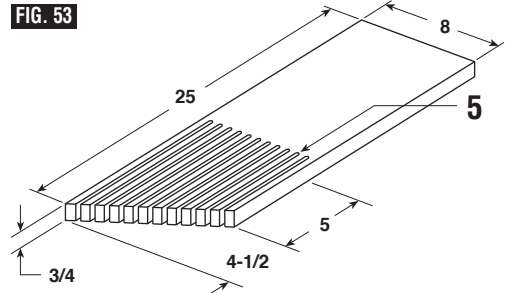


FIG. 53



NOTE: All dimensions in inches.

USING THE MITER GAUGE

CROSSCUTTING, MITER CUTTING, BEVEL CUTTING, COMPOUND MITER CUTTING and when RABBETING across the end of a narrow workpiece, the MITER GAUGE is used.

WARNING For your own safety, always observe the following safety precautions in addition to the safety instructions on Pages 2, 3, 4 & 5.

Never make these cuts freehand (without using the miter gauge or other auxiliary devices) because the blade could bind in the cut and cause a KICKBACK or cause your fingers or hand to slip into the blade.

Always lock the miter gauge securely when in use.

Remove rip fence from table during any operations which utilize the miter gauge.

The miter includes a "T" groove disk **1** for easy insertion into table groove and quicker removal from the table (Fig 54).

When cross cutting and the blade set at 90° or 45° to the table, the miter gauge can be used in either slot on the table. When cross cutting and the blade is tilted, use slot on right side of table where the blade is tilted away from your hands and miter gauge.

TO ADJUST THE MITER ANGLE:

Loosen lock knob **1** and set the miter gauge body **2** so the pointer **3** is at desired angle, then tighten lock knob **1** (Fig. 54).

The miter gauge body **2** will stop at 90° and both right and left 45°. To rotate the miter gauge body **2** beyond these points, the stop plate **4** must be flipped out of the way.

MITER GAUGE AUXILIARY FACING

A template for drilling holes in the miter gauge is provided on page 90, which allows you to attach an AUXILIARY FACING **5** to provide additional support to cut longer pieces. Select a suitable piece of smooth straight wood, drill two holes through it and attach it with screws **6** (Fig. 55).

Example:

- A. Drill 1/4" dia. holes thru miter gauge.
- B. Drill 5/32" dia. holes thru (board 3/4" thick, 3" high, and desired length).
- C. Attach with two No. 12 round head wood screws 1-1/2" long, **6**, not included (Fig. 55).

Be sure screws never protrude above outside surface of facing.

Be sure facing does not interfere with the proper operation of the saw blade guard.

NOTE: When bevel crosscutting, attach facing so that it extends to the right of the miter gauge and use the miter gauge in the groove to the right of the blade.

FIG. 54

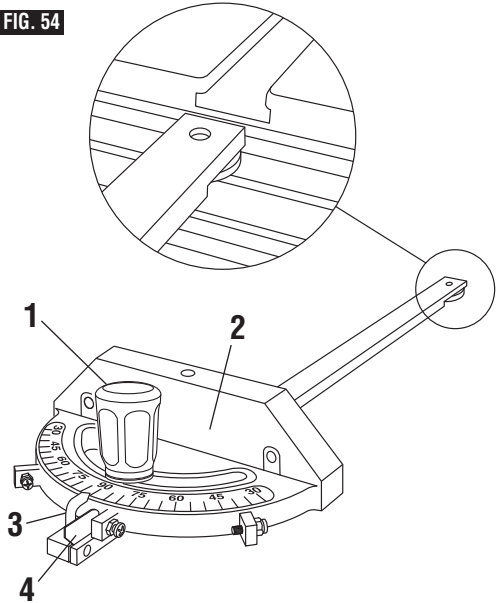
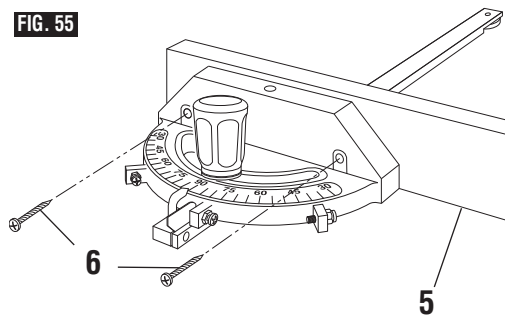


FIG. 55



CROSSCUTTING

CROSSCUTTING is known as cutting wood across the grain, at 90°, or square with both the edge and the flat side of the wood. This is done with the miter gauge set at 90° (Fig. 56).

Make sure blade guard is installed for all “thru-sawing” operations (when sawblade cuts entirely thru the thickness of the workpiece). Replace guard IMMEDIATELY after completion of dadoing, molding or rabbeting cuts.

Have blade extend approximately 1/8" above top of workpiece. Additional blade exposure would increase the hazard potential.

Do not stand directly in front of the blade in case of a THROWBACK (small cut-off piece caught by the back of the blade and thrown toward the operator). Stand to either side of the blade.

Keep your hands clear of the blade and out of the path of the blade.

If blade stalls or stops while cutting, TURN SWITCH OFF before attempting to free the blade.

Do not reach over or behind the blade to pull the workpiece through the cut ... to support long or heavy workpieces ... to remove cut-off pieces of material or FOR ANY OTHER REASON.

Do not pick up small pieces of cut-off material from the table. REMOVE them by pushing them OFF the table with a long stick. Otherwise they could be thrown back at you by the rear of the blade.

Do not remove small pieces of cut-off material that are close to or may become TRAPPED inside the blade guard while the saw is RUNNING. THIS COULD ENDANGER YOUR HANDS or cause a KICKBACK. Turn the saw OFF. After the blade has stopped turning, lift the guard and remove the piece.

If workpiece is warped, place the CONCAVE side DOWN. This will help prevent it from rocking while it is being cut.

The graduations on the miter gauge provide accuracy for average woodworking. In some cases where extreme accuracy is required, when making angle cuts, for example, make a trial cut and then recheck it with an accurate square or protractor.

If necessary, the miter gauge head can be swiveled slightly to compensate for any inaccuracy.

TIP: The space between the miter gauge bar and the groove in the table is held to a minimum during manufacturing. For maximum accuracy when using the miter gauge, always “favor” one side of the groove in the table. In other words, don’t move the miter gauge from side to side while cutting but keep one side of the bar riding against one side of the groove.

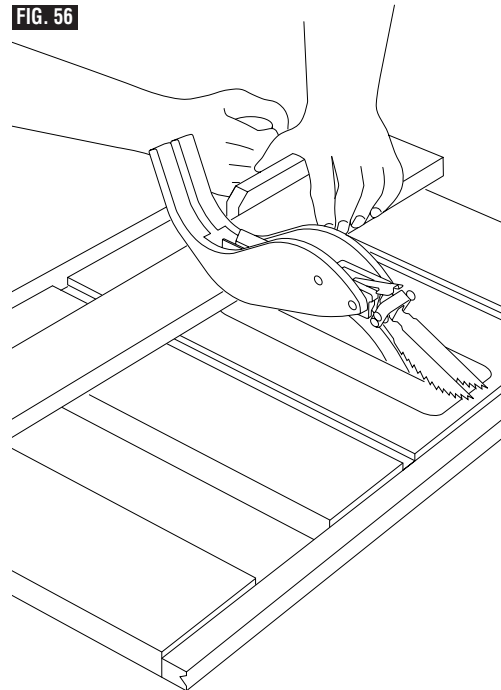
TIP: Glue a piece of sandpaper **1** to the face of the miter gauge head. This will help prevent the workpiece from “creeping” while it is being cut.

The miter gauge may be used in either of the grooves in the table. Make sure it is locked.

When using the miter gauge in the LEFT hand groove, hold the workpiece firmly against gauge head with your left hand, and grip the lock knob with your right hand.

When using the RIGHT hand groove, hold the workpiece with your right hand and the lock knob with your left hand.

FIG. 56



REPETITIVE CROSSCUTTING

REPETITIVE CROSSCUTTING is known as cutting a quantity of pieces the same length without having to mark each piece. When making repetitive cuts from a long workpiece, make sure it is supported – see Fig. 58.

Never use the rip fence as a direct length stop because the cutoff piece could bind between the fence and the blade causing kickback.

When attaching the facing block, make sure the block is well in front of the sawblade, because the cutoff piece could bind between the fence and the blade causing kickback.

MAKING THE FACING BLOCK

The facing block should be made of 1-1/2 inch thick wood – Figure 57 shows dimensions to make a facing block.

Parts Required:

- 1-1/2" thick wood board cut to size (1)
- 1/4 x 20 x 1-1/2" long hex. head machine screws (2)
- 1/4" Washers (2)
- 1/4 x 20 machine nuts (2)

The facing block is made to the same height (2-3/4") as the fence and can work with the blade guard system in place when cutoff pieces are 1-1/2 inches or greater. Cut the board to the size shown, drill through 9/32" holes, then counter-sink each hole (down 3/8 inch) using a 3/4 inch drill bit.

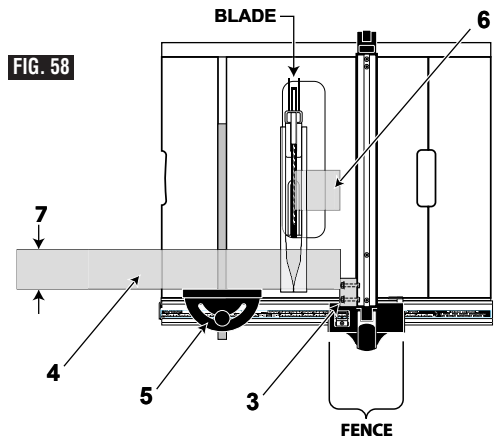
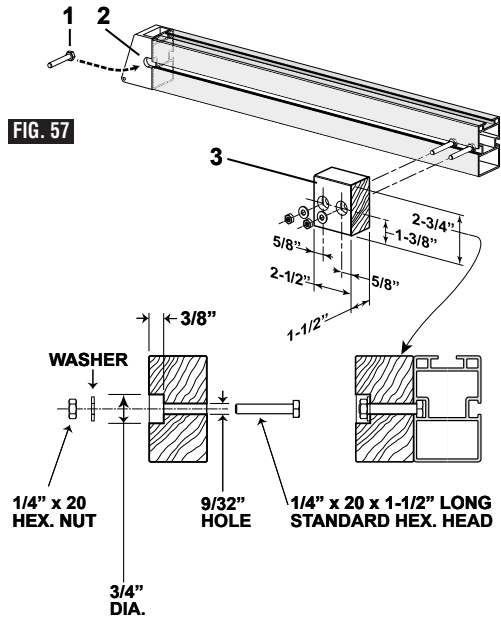
ASSEMBLY:

- 1) Place the hex. head **1** of each machine screw into the recess **2** in the rear fence housing – then slide each screw forward to the locations shown.
- 2) Place facing block **3** over screws.
- 3) Place washers over screw threads.
- 4) Thread and tighten the nuts onto the screws.

MAKING THE REPETITIVE CROSSCUT

1. When making repetitive cuts, securely attach a wood facing block to the fence as shown. The T-slot in the rip fence allows for attachment - see Figure 58.
2. Slide the fence (with the facing block) to a position which gives you the length of board that you want to repeat. Lock fence in position. Note: If you are using the scale on the saws front rail during the set-up, be sure move the fence an additional 1-1/2 inches to compensate for the thickness of the facing block.
3. Slide the workpiece **4** along the miter gauge **5** until it touches the facing block **3**. Hold workpiece securely.

4. Make a "Dry Run" (practice) – with the saw unplugged, move the miter gauge and workpiece along the facing block until it touches the idle blade (blade is set 1/4 inch higher than workpiece) – Note: The workpiece **MUST** be off the facing block **BEFORE** it contacts the blade. Crosscutting capacity **7** for these cuts is 6-1/4 inches with a 3/4 workpiece or 5-1/2 inches with a 1-1/2 workpiece. If "Dry Run" is successful, go to the next step.
5. Attach saw to power source, turn saw on, and make the cut. Turn the saw off and remove the cutoff piece **6** after the blade has stopped and before cutting the next piece.



MITER CUTTING

MITER CUTTING is known as cutting wood at an angle other than 90° with the edge of the wood. Follow the same procedure as you would for crosscutting (Fig. 59).

Adjust the miter gauge to the desired angle, and lock it.

The miter gauge may be used in either of the grooves in the table.

When using the miter gauge in the LEFT hand groove, hold the workpiece firmly against the miter gauge head with your left hand, and grip the lock knob with your right hand.

When using the RIGHT hand groove, hold the workpiece with your right hand and the lock knob with your left hand.

BEVEL CROSSCUTTING

BEVEL CROSSCUTTING is the same as crosscutting except that the wood is also cut at a bevel angle (Fig. 60) ... other than 90° with the flat side of the wood.

Adjust the blade to the desired angle.

Use the Miter Gauge in the groove to the RIGHT or the LEFT of the blade.

COMPOUND MITER CUTTING

COMPOUND MITER CUTTING is a combination of miter cutting and bevel crosscutting. The cut is made at an angle other than 90° to both the edge and the flat side of the wood (Fig. 60).

Adjust the miter gauge and the blade to the desired angle and make sure miter gauge is locked.

USING THE RIP FENCE

RIPPING, BEVEL RIPPING, RESAWING AND RABBETING are performed using the RIP FENCE together with the AUXILIARY FENCE / WORK SUPPORT, PUSH STICK OR PUSH BLOCK.

▲ WARNING For your own safety, always observe the following safety precautions in addition to the safety instructions on Pages 2, 3, 4 & 5.

1. Never make these cuts FREEHAND (without using the rip fence or auxiliary devices when required) because the blade could bind in the cut and cause a KICKBACK.
2. Always lock the rip fence securely when in use.
3. Remove miter gauge from table during any operations which utilize the rip fence.

4. Make sure blade guard is installed for all thru-sawing type cuts. Replace the guard IMMEDIATELY following completion of resawing, rabbeting, dadoing or molding operations.

Frequently check the action of the ANTIKICKBACK PAWLS by passing the workpiece alongside of the spreader while saw is OFF.

Pull the workpiece TOWARD you. If the PAWLS do not DIG into the workpiece and HOLD it ... the pawls must be REPLACED or SHARPENED. (See "Maintenance" on Page 41).

5. Have blade extend approximately 1/8" above top of workpiece. Additional blade exposure would increase the hazard potential.

6. Do not stand directly in front of the blade in case of a KICKBACK. Stand to either side of the blade.

FIG. 59

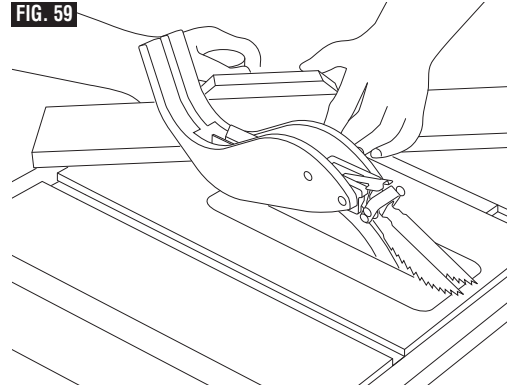
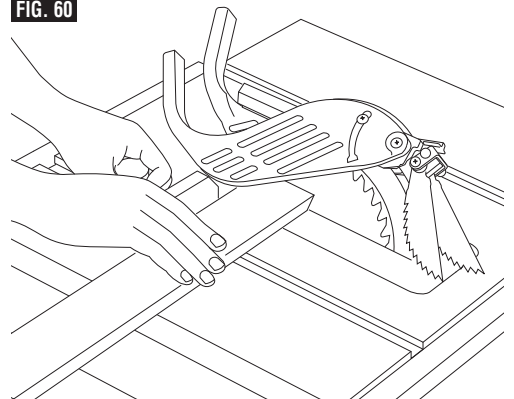


FIG. 60



7. Keep your hands clear of the blade and out of the path of the blade.
8. If the blade stalls or stops while cutting, TURN SWITCH OFF before attempting to free the blade.
9. Do not reach over or behind the blade to pull the workpiece through the cut ... to support long or heavy workpieces ... to remove small cut-off pieces of material or FOR ANY OTHER REASON.
10. Do not pick up small pieces of cut-off material from the table. REMOVE them by pushing them OFF the table with a long stick. Otherwise they could be thrown back at you by the rear of the blade.
11. Do not remove small pieces of cut-off material that may become TRAPPED inside the blade guard while the saw is RUNNING. THIS COULD ENDANGER YOUR HANDS or cause a KICKBACK. Turn the saw OFF and disconnect power source. After the blade has stopped turning, lift the guard and remove the piece.
12. If workpiece is warped, place the CONCAVE side DOWN. This will prevent it from rocking while it is being ripped.

RIP FENCE AUXILIARY FACING

When using dado or molding head accessories, an auxiliary facing board should be used. This will help prevent damage to the aluminum fence. The facing should be made of 3/4 inch thick wood – Figure 61 shows dimensional plans to make a facing board to fit this saw.

Parts Required:

3/4" thick wood board (solid or plywood) cut to size

Three (3) 1/4 x 20 x 3/4" long hex. head machine screws

Three (3) 1/4" Washers

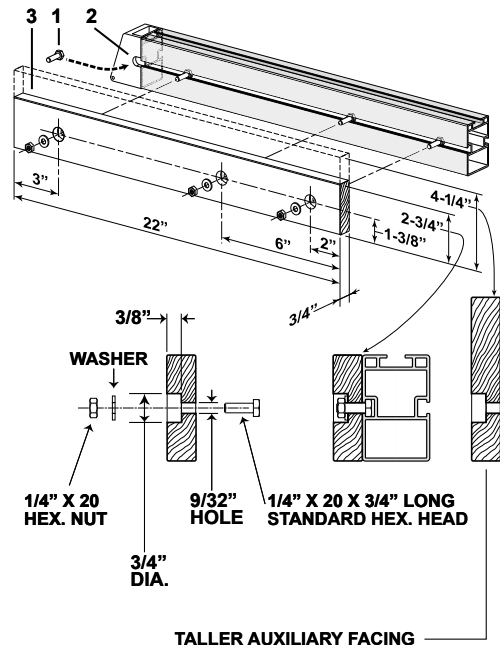
Three (3) 1/4 x 20 machine nuts

The facing is made to the same height (2-3/4") as the fence and can work with the blade guard system in place when moving the fence to contact the blade. The taller facing design (4-1/4") is optional and can be used for clamping on other accessories. Cut the board to the size shown, drill through 9/32" holes, then counter-sink each hole (down 3/8 inch) using a 3/4 inch drill bit.

ASSEMBLY:

- 1) Place the hex. head **1** of each machine screw into the recess **2** in the rear fence housing – then slide each screw forward to the locations shown.
- 2) Place facing board **3** over screws
- 3) Place washers over screw threads
- 4) Thread and tighten the nuts onto the screws

FIG. 61



RIPPING

RIPPING is known as cutting a piece of wood with the grain, or lengthwise. This is done using the rip fence. Position the fence to the desired WIDTH OF RIP and lock in place. Before starting to rip, be sure:

- A. Rip Fence is parallel to sawblade.
- B. Riving knife is properly aligned with sawblade.
- C. Antikickback pawls are functioning properly.

When ripping LONG BOARDS or LARGE PANELS, always use a work support (Fig. 62). The Bosch table saw outfeed support table kit (TS1001, TS1002) is an ideal accessory to use for this application.

BEVEL RIPPING

When bevel ripping material 6" or narrower, use fence on the right side of the blade ONLY. This will provide more space between the fence and the sawblade for use of a Push Stick. If the fence is mounted to the left, the sawblade guard may interfere with proper use of a Push Stick.

When "WIDTH OF RIP" is 6" and WIDER use your RIGHT hand to feed the workpiece, use LEFT hand ONLY to guide the workpiece ... do not FEED the workpiece with the left hand (Fig. 62).

When "WIDTH OF RIP" is 2" to 6" wide USE THE PUSH STICK 1 to feed the work (Fig. 63).

When WIDTH OF RIP is NARROWER than 2" the Push Stick CANNOT be used because the guard will interfere ... USE the AUXILIARY FENCE, and PUSH BLOCK.

Attach auxiliary fence 2 to rip fence with two "C" clamps (Fig. 64).

Feed the workpiece by hand until the end is approx. 1" from the front edge of the table. Continue to feed using the PUSH BLOCK 3 on top of auxiliary fence UNTIL THE CUT IS COMPLETE (Fig. 65).

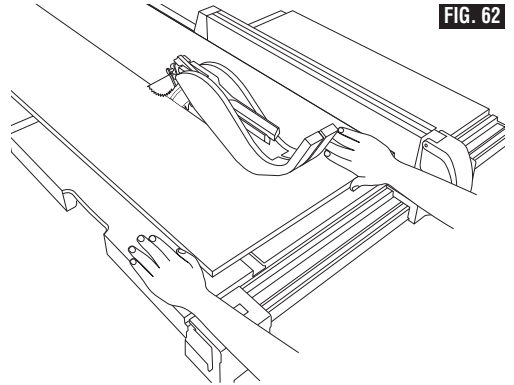


FIG. 62

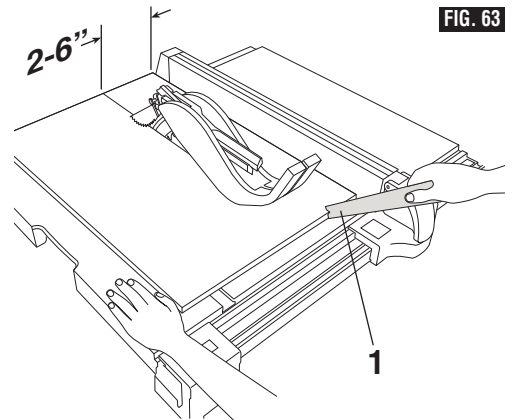


FIG. 63

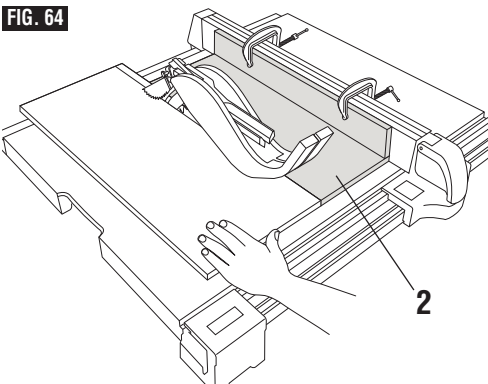


FIG. 64

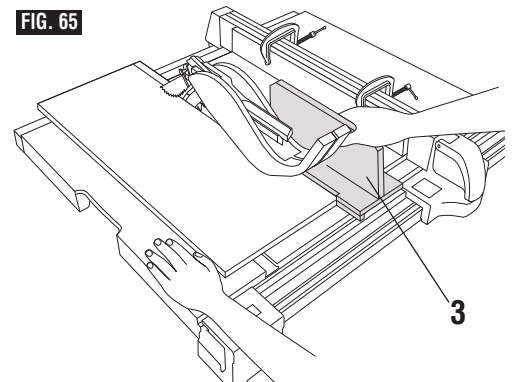


FIG. 65

NON THRU-SAWING

Add 8" high flat facing board to the fence, the full length of the fence (Fig. 66).

Use featherboards for all "Non Thru-Sawing" operations (when sawblade guard must be removed). Featherboards 1 are used to keep the work in contact with the fence and table as shown, and to stop kickbacks.

Mount featherboards 1 to fence and table as shown, so that leading edges of featherboards will support workpiece until cut is complete, and the workpiece has been pushed completely past the cutter (sawblade, dado head, molding head, etc.) with a Push Stick 2, as in ripping.

Before starting the operation (switch saw "OFF" and set cutter below table surface):

- A. Install featherboards so they exert pressure on the workpiece; BE POSITIVE THEY ARE SECURELY ATTACHED.
- B. Make sure by trial that the featherboards will stop a kickback if one should occur.

Featherboards are not employed during non thru-sawing operations when using the miter gauge.

REPLACE THE SMART GUARD SYSTEM AS SOON AS THE NON THRU-SAWING OPERATION IS COMPLETE.

RABBETING

RABBETING is known as cutting out a section of the corner of a piece of material, across an end or along an edge (Fig. 67).

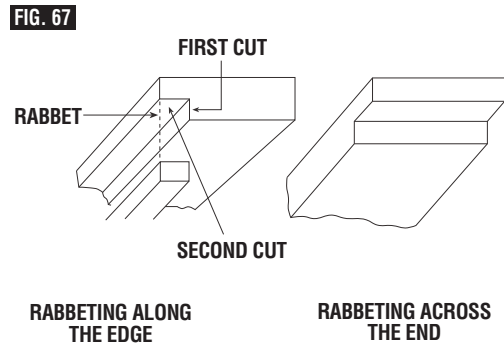
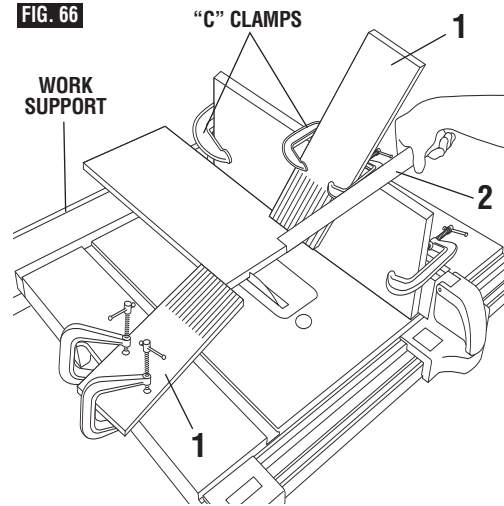
Making a RABBET requires cuts which do not go all the way through the material. Therefore the Smart Guard System must be removed.

1. Remove blade guard.
2. For rabbeting along an edge (long way of workpiece) as shown, add facing to rip fence approximately as high as the workpiece is wide. Adjust rip fence and blade to required dimensions; then make first cut with board flat on table, follow set-up Fig. 66. Make second cut with workpiece on edge. Follow all precautions, safety instructions, and operation instructions as for ripping or rip type operations, including featherboards and Push Stick, etc.
3. For rabbeting across an end, for workpiece 10-1/2" and narrower make the rabbet cut with the board flat on the table. Using the miter gauge fit-

ted with a facing, follow the same procedures and instructions for crosscutting making successive cuts across the width of the workpiece to obtain the desired width of cut. DO NOT use the rip fence for rabbeting across the end.

4. INSTALL SMART GUARD SYSTEM IMMEDIATELY UPON COMPLETION OF RABBETING OPERATION.

Rabbet cuts can also be made in one pass of the workpiece over the cutter using the dado head or molding head.



DADO AND MOLDING CUTTING

Instructions for operating the saw with Dado and Molding Head sets are contained in the booklet furnished with these accessories.

ALWAYS USE AN APPROPRIATE BOSCH TABLE INSERT AND WASHERS LISTED UNDER RECOMMENDED ACCESSORIES (see page 42).

ALWAYS PLACE THE BLADE WASHERS IN THE ORIGINAL POSITIONS WHEN YOU ARE FINISHED DADO OR MOLDING CUTTING.

INSTALLING A DADO SET

A dado set is an accessory system used to make non-thru grooves or lap cuts on work pieces. These tools are commonly used in furniture and cabinet building. After work pieces have been properly dado cut, they can be tightly joined together. The 4100 table saw can accommodate dado cutting up to 13/16" wide in a single pass.

WARNING To reduce the risk of injury, always disconnect plug from power source before changing blades.

WARNING To reduce the risk of injury, always use the Bosch Dado Blade Table Insert No. TS1007 (comes with a dado accessory washer). Never make dado cuts without this insert. Do not use dado sets larger than 8" diameter. Never set dado cutters to any bevel angle other than the vertical 0° angle. Follow all warnings and instructions shown here and those that accompany your dado set. Failure to comply with these warnings may result in serious bodily injuries.

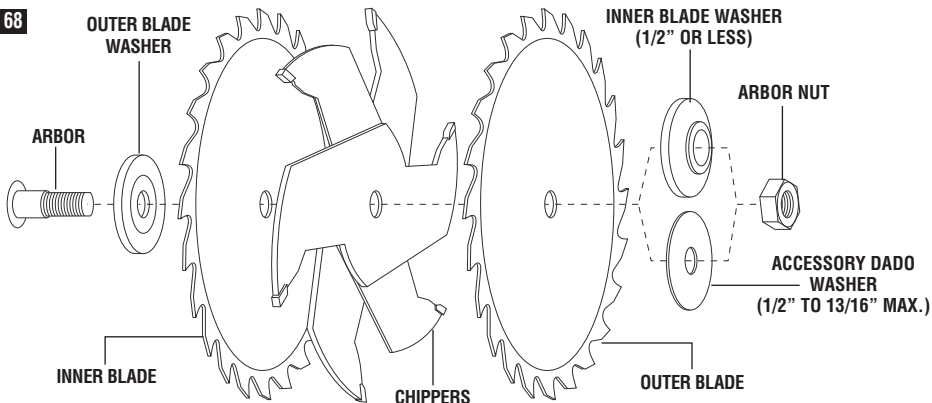
WARNING To reduce the risk of injury, do not use dado sets larger than 8 inches in diameter. The saw is not designed to accept larger sized dados.

USING STACKED DADO SETS

NOTE: These instructions are based on using the Bosch 8" and 6" Professional Dado Sets: Model Nos. PRO824DADO, PRO840DADO and PRO624DADO. They also apply to most standard stacked dado sets.

1. Disconnect plug from power source.
2. Remove the Barrier Guard Assembly and Anti-Kickback Device (see page 12 & 13). Lower and lock the Riving Knife in its lowest position.
3. Remove standard table insert plate. Raise saw blade to maximum height.
4. Remove the arbor nut, then outer washer, saw blade, and inner blade washer (see page 15). Note: For only dado cutting, the washers must be installed differently (Fig. 69).
5. Installing a dado stack (Fig. 68)
 - A) Place the (flat) outer washer back onto the arbor shaft. For dado cutting, this will serve as the inner washer.
 - B) Place the desired parts of the dado set onto the arbor shaft.
 - C) Place the supplied washer from the Dado Accessory Kit (TS1007) onto the outside of the dado stack.
 - D) Replace and tighten the arbor nut onto the arbor shaft (Fig. 69).
6. Placing dado blades and chippers: (see Fig. 68)
 - For 1/4" wide cuts, place the two outside dado blades (cutters) on the shaft. The two dado outside blades may be different, check for information on the blade and the manufacturer's instructions for proper installation.
 - For wider cuts (up to 13/16" maximum), chipper blades and spacers can be placed only between the outside blades (cutters).

FIG. 68



▲ WARNING To reduce the risk of injury, never use a single dado blade for normal saw thru-cutting. Never use chippers without both outside cutters. Read and follow all Operation/Safety Instructions included with the dado set.

NOTE: The arbor nut must be fully engaged on shaft threads. If the stacked width is more than 1/2", do not use the table saws' inner washer. Instead, use the accessory dado washer. With this saw, do not exceed a stacked width greater than 13/16".

7. Lower the blades below the table top and insert the Bosch Dado Table Insert (TS1007) (Fig. 70). Raise the cutters to the desired depth of cut (above the insert). Check that the tool is not plugged into a power source; then carefully rotate the cutters by hand to make sure all components are tightly held and no interferences exist.

8. Plug saw into power source. Using scrap wood, make practice dado cuts and adjust height accordingly.

▲ WARNING To reduce the risk of injury, never pass your hands over the cutting dado blades. Dado cuts are non-thru (blind) cuts. Many times the cutters cannot be seen during cutting. See page 37 for instructions on Non Thru-sawing.

▲ WARNING To reduce the risk of injury, never make freehand cuts. The work piece must be held against the saw's fence or miter gauge as it is being fed. Whenever possible, use push sticks and push blocks for cutting (see page 36). Always use feather boards, attached to the table or fence, when rip cutting (See page 37). When cross cutting, firmly hold work piece against the miter gauge (see page 34).

NOTE: Because dado cuts are non-thru cuts, the miter gauge can be used with the fence locked in place. This is helpful when making repeat dado cross-cuts from the ends of more than one work piece. Each piece is held against the miter gauge and its end slides along the fence at a preset distance.

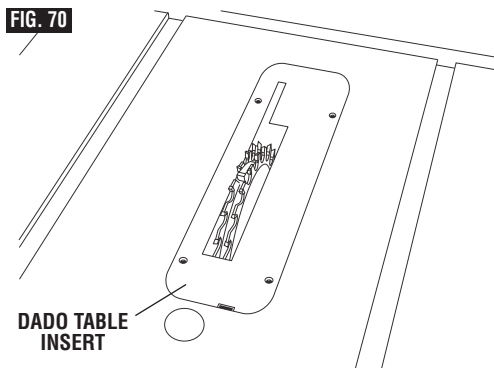
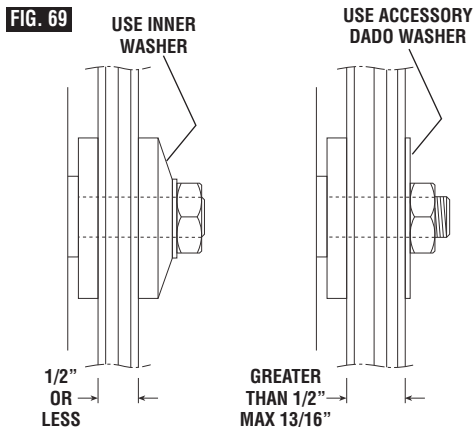
Depending on the final depth of cut and/or the density of the material, it may be required to make multiple cuts starting with small depths of 1/4" to 1/2" and progressing to final depth. When performing extensive repetitive dado cutting, periodically check the work pieces to see that the depth of cut is maintained.

RETURNING SAW TO NORMAL THRU-CUTTING

After completing your Dado cutting, be sure to return the inner and outer washers to the original positions (see page 14 for details). It is important that the original equipment washers are in the proper positions so that the saw blade always aligns with the permanently installed riving knife (Fig. 69).

ADJUSTABLE OR WOBBLE DADO SETS

▲ WARNING To reduce the risk of injury, do not use adjustable or "wobble" dado sets on this saw. Adjustable dado sets can be easily set to positions that may interfere with working components of this saw.



INSTALLING A MOLDING HEAD SET

A Molding Head Set may be used to add a variety of decorative edges to a wood work piece. These edges are commonly seen on trim moldings and furniture.

⚠ WARNING To reduce the risk of injury, always disconnect plug from power source before changing blades.

⚠ WARNING To reduce the risk of injury, always use the Bosch Molding Table Insert No. TS1009. Never make molding head cuts without this insert. Do not use molding head sets larger than 7" diameter and with cutters wider than 1". Never set molding cutters to any bevel angle other than the vertical 0° angle. Follow all warnings and instructions shown here and those that accompany your molding head set. Failure to comply with these warnings may result in serious bodily injuries.

NOTE: Leave the inner washer in its original sawing position. Install molding head, then outer washer, and then arbor nut. Check that all cutters and the arbor nut are securely tightened. Some molding head sets come with an additional thick washer/spacer; this part is not used on the 4100 table saw.

1. Disconnect plug from power source. Raise saw blade to maximum height.
2. Remove the Barrier Guard Assembly and Anti-Kickback Device (see page 12 & 13). Lower and lock the Riving Knife in its lowest position.
3. Remove standard table insert plate.
4. Remove the arbor nut and only the outer blade washer and saw blade (see page 14). **NOTE:** Leave inner blade washer on arbor shaft.
5. Place molding head against inner washer (with cutters facing to front of saw). Then place on the outer washer and tighten arbor nut on arbor shaft.
6. Lower the cutters below the table top and insert the Bosch Molding Table Insert (TS1009) (Fig. 72). Raise the cutters to the desired depth of cut (above the insert). Check that the tool is not plugged into a power source; then carefully rotate the cutters by hand to make sure all components are tightly held and no interferences exist.
7. Plug saw into power source. Using scrap wood, make practice molding cuts and adjust height accordingly.

⚠ WARNING To reduce the risk of injury, never pass your hands over the cutting molding head cutters. Molding cuts are non-thru (blind) cuts. Many times the cutters can not

be seen during cutting. See page 37 for instructions on non-thru sawing. The work piece must be held against the saw's fence as it is being fed. An auxiliary fence should be attached to the saw's fence (see page 35). Never make freehand cuts. Whenever possible, use push sticks and push blocks for molding cutting (see page 36). Use feather boards and hold-downs, attached to the table or fence (See page 37). **IMPORTANT:** Follow all instructions and warnings that come with your molding head set.

RETURNING SAW TO NORMAL THRU-CUTTING

After completing your Molding cutting, be sure to return the inner and outer washers to the original positions (see page 14 for details). It is important that the original equipment washers are in the proper positions so that the saw blade always aligns with the permanently installed riving knife.

FIG. 71

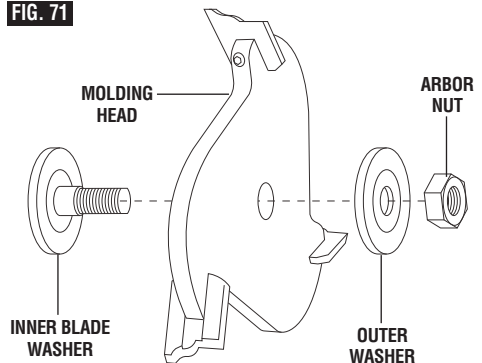
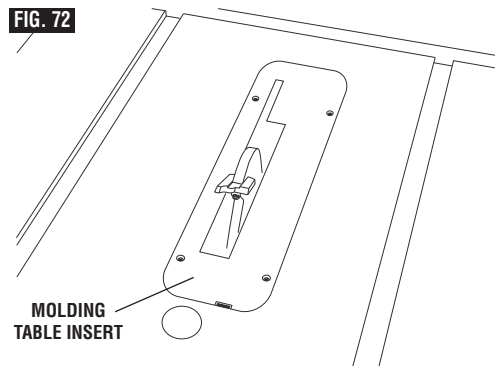


FIG. 72



SPECIAL CUTTING TECHNIQUES

▲ WARNING This table saw is a highly versatile tool, capable of performing a wide range of highly specialized cuts that cannot be covered in this manual. Do not attempt to perform cuts not covered in this manual unless you are thoroughly familiar with procedures and fixturing.

See your local library for books on woodworking techniques, such as: *The Complete Book of Stationary Power Tool Techniques* by R.J. De Christoforo or *Table Saw Techniques* by R. Cliffe.

CUTTING METALS AND MASONRY

▲ WARNING This table saw is not recommended for cutting metals, such as aluminum or copper, even with a special blade designed to cut these materials.

▲ WARNING This table saw is not recommended for cutting any masonry material, even with abrasive cut-off wheels.

Maintaining Your Table Saw

MAINTENANCE

For your own safety, turn switch "OFF" and remove plug from power source outlet before maintaining or lubricating your saw.

Do not allow sawdust to accumulate inside the saw. Frequently blow out any dust that may accumulate inside the saw cabinet and the motor. Clean your cutting tools (i.e. blades) with a Gum and Pitch Remover.

Periodically clean the guard. Wipe it or blow it clean with compressed air.

The cord and the tool should be wiped with a dry clean cloth to prevent deterioration from oil and grease.

Certain cleaning agents and solvents can damage plastic parts. Some of these are: gasoline, carbon tetrachloride, chlorinated cleaning solvents, ammonia and household detergents which contain ammonia. Avoiding use of these and other types of cleaning agents will minimize the possibility of damage.

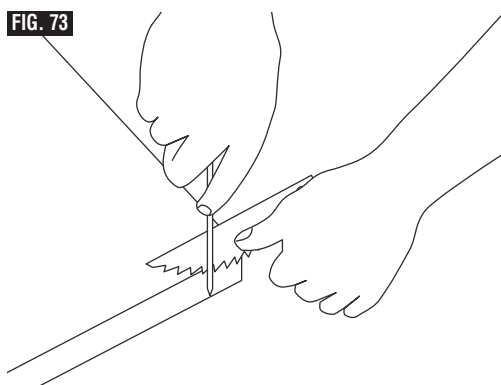
A coat of automobile-type wax applied to the table will help to keep the surface clean and allow workpieces to slide more freely.

If the power cord is worn or cut, or damaged in any way, have it replaced immediately.

Make sure the teeth of the ANTIKICKBACK pawls are always sharp. To sharpen:

1. Remove blade guard.
2. Rotate pawl toward rear of spreader so that teeth are above top of spreader.
3. Hold spreader with pawl over corner of workbench (Fig. 73).
4. Using a small round file (Smooth Cut) sharpen the teeth.

▲ WARNING All repairs, electrical or mechanical, should be attempted only by trained repairmen. Contact the nearest Factory Service Center or Authorized Service Station or other competent repair service. Use only identical replacement parts, any other may create a hazard.



LUBRICATION

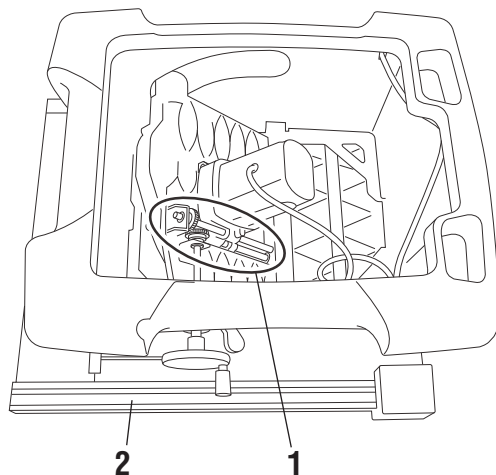
The gear case has been completely lubricated at the factory. However, after six months to one year, depending upon use, it's wise to return your tool to the nearest Service Center for the following:

- Brushes replaced.
- Parts cleaned and inspected.
- Relubricated with fresh lubricant.
- Electrical system tested.
- All repairs.

The following parts should be oiled occasionally with SAE No. 20 or No. 30 oil, or WD 40 (Fig. 74).

1. Elevation, support rods, and gears.
2. Sliding rails and supports.
3. Table locking cams (Front & Rear).

FIG. 74



Accessories

Item	Cat. No.	Item	Cat. No.
Rear Outfeed Support	TS1002	Molding Insert	TS1009
Left Side Outfeed Support	TS1003	Pusher Guide System	TS1010
Dust bag	TS1004	Gravity-Rise Wheeled	
Zero Clearance Insert	TS1005	Table Saw Stand	TS2000
Dado Insert Set	TS1007		

▲ WARNING

Use only recommended accessories. Follow instructions that accompany accessories. Use of improper accessories may cause hazards.

Troubleshooting

⚠ WARNING Turn switch “OFF” and always remove plug from the power source before trouble shooting.

TROUBLE: SAW WILL NOT START

- | | |
|----------------|--|
| PROBLEM | <ol style="list-style-type: none"> 1. Power cord is not plugged in. 2. Fuse or circuit breaker tripped. 3. Cord damaged. 4. Burned out switch. |
| REMEDY | <ol style="list-style-type: none"> 1. Plug saw in. 2. Replace fuse or reset tripped circuit breaker. 3. Have cord replaced by an Authorized Bosch Service Center or Service Station. 4. Have switch replaced by an Authorized Bosch Service Center or Service Station. |

TROUBLE: BLADE DOES NOT COME UP TO SPEED

- | | |
|----------------|---|
| PROBLEM | <ol style="list-style-type: none"> 1. Extension cord too light or too long. 2. Low house voltage. |
| REMEDY | <ol style="list-style-type: none"> 1. Replace with adequate cord. 2. Contact your electric company. |

TROUBLE: EXCESSIVE VIBRATION

- | | |
|----------------|---|
| PROBLEM | <ol style="list-style-type: none"> 1. Failure to tighten tilt lock handle. 2. Blade out of balance. 3. Saw not mounted securely to stand or workbench. 4. Arbor Nut not tight. |
| REMEDY | <ol style="list-style-type: none"> 1. See “Getting To Know Your Table Saw” section, (Page 9- 10). 2. Discard Blade and use different blade. 3. Tighten all mounting hardware, See “Mounting the Table Saw” section, (Page 15). 4. See “Assembly” section, “Changing The Blade” (Page 14). |

TROUBLE: CANNOT MAKE SQUARE CUT WHEN CROSSCUTTING

- | | |
|----------------|---|
| PROBLEM | <ol style="list-style-type: none"> 1. Miter Gauge not adjusted properly. |
| REMEDY | <ol style="list-style-type: none"> 1. See “Operating Adjustments” section, “Miter Gauge Adjustment” (Page 17). |

TROUBLE: CUT BINDS, BURNS, STALLS MOTOR WHEN RIPPING

- | | |
|----------------|---|
| PROBLEM | <ol style="list-style-type: none"> 1. Dull blade with improper tooth set. 2. Warped board. 3. Rip fence not parallel to blade. 4. Spreader out of alignment.. |
| REMEDY | <ol style="list-style-type: none"> 1. Sharpen or replace blade. 2. Make sure concave or hollow side is facing “DOWN” feed slowly. 3. See “Operating Adjustments” section “Aligning Rip Fence” (Page 18). 4. See “Assembly” section, “Attaching Blade Guard” (Page 12 - 13). |

TROUBLE: CUT NOT TRUE AT 90° OR 45° POSITIONS

- | | |
|----------------|--|
| PROBLEM | <ol style="list-style-type: none"> 1. Alignment screws not adjusted properly. |
| REMEDY | <ol style="list-style-type: none"> 1. See “Operating Adjustments” section, “Adjusting Blade Parallel to Miter Gauge Slots” (Page 17). |

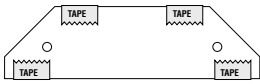
TROUBLE: TILT LOCK HANDLE ELEVATION WHEEL HARD TO MOVE

- | | |
|----------------|--|
| PROBLEM | <ol style="list-style-type: none"> 1. Blade tilt lock handle not loosened when making tilt adjustment. 2. Saw dust on depth screw threads. |
| REMEDY | <ol style="list-style-type: none"> 1. See “Getting To Know Your Table Saw” section, “Blade Tilt Lock Knob” (9-10). 2. See “Maintaining Your Table Saw” section, “Lubrication” (Page 42). |

MITER GAUGE TEMPLATE - FOR ADDING MOUNTING HOLES (FOR ATTACHMENT OF AUXILIARY FACING)

FOLLOW STEPS:

1 **2**

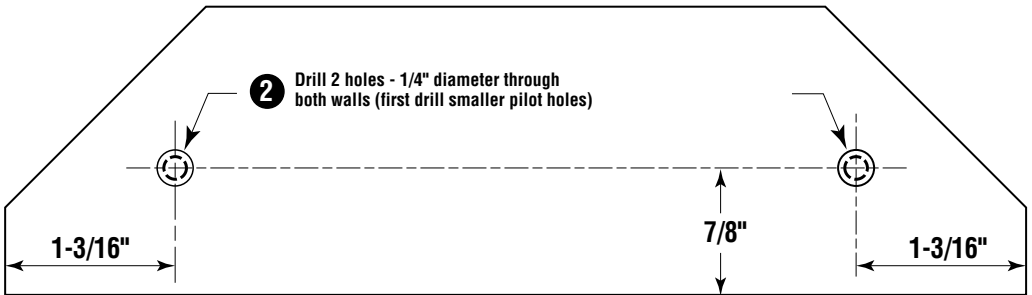


1

Cut out template around outside edges, place over face of the miter guage, as shown above, and tape down.

2

Drill 2 holes - 1/4" diameter through both walls (first drill smaller pilot holes)



Consignes générales de sécurité

▲ AVERTISSEMENT

« LIRE TOUTES LES INSTRUCTIONS » L'utilisateur qui négligerait de suivre les consignes de sécurité énoncées ci-dessous et de prendre d'autres précautions élémentaires risquerait de subir de graves blessures.

Zone de travail

NE LAISSEZ PAS LES ENFANTS S'APPROCHER

Ne laissez aucune personne entrer en contact avec l'outil ou le cordon de rallonge. Tout visiteur doit se tenir à une distance suffisante de la zone de travail.

ASSUREZ-VOUS QUE VOTRE ZONE DE TRAVAIL EST BIEN DÉGAGÉE

Des lieux et des établis encombrés multiplient les risques d'accident.

FAITES EN SORTE QUE VOTRE ATELIER NE PRÉSENTE AUCUN DANGER POUR LES ENFANTS

en installant des cadenas et des interrupteurs généraux.

NE TRAVAILLEZ PAS DANS UN ENVIRONNEMENT DANGEREUX

Un outil électrique ne doit jamais être employé dans un endroit humide ou mouillé, ni être exposé à la pluie. Éclairez bien les lieux où vous travaillez. N'utilisez pas l'outil en présence de liquides ou de gaz inflammables.

Sécurité de l'utilisateur

FAMILIARISEZ-VOUS AVEC VOTRE OUTIL

Lisez attentivement le manuel de l'utilisateur et les étiquettes collées sur l'outil, afin de bien les comprendre. Vous devez connaître aussi bien les possibilités et les limites de l'outil que les dangers éventuels précis qu'il présente.

GARDEZ TOUJOURS VOTRE ÉQUILIBRE

Assurez-vous que vous ne risquez pas de trébucher ou de perdre l'équilibre.

RESTEZ SUR VOS GARDES

Gardez toujours les yeux sur votre travail. Faites preuve de bon sens. N'utilisez pas l'outil quand vous êtes fatigué, ni si vous êtes sous l'effet d'un médicament, de l'alcool ou d'une autre drogue.

PORTEZ DES VÊTEMENTS APPROPRIÉS

Évitez de porter des vêtements flottants ou des bijoux qui risqueraient d'être happés par des pièces mobiles. Le port de gants en caoutchouc et de chaussures à semelle antidérapante est recommandé si vous travaillez à l'extérieur. Portez une coiffure de protection si vous avez les cheveux longs.

PORTEZ DES LUNETTES DE SÉCURITÉ

Portez également un masque facial ou un masque antipoussières si l'opération de coupe produit de la poussière, ainsi que des protège-oreilles lors de travaux de longue durée.

PROTÉGEZ-VOUS CONTRE LES CHOCS ÉLECTRIQUES

Évitez d'entrer en contact avec les surfaces mises à la terre, telles que tuyaux, radiateurs, cuisinières et réfrigérateurs, quand vous utilisez l'outil.

DÉBRANCHEZ LES OUTILS

Quand ils ne servent pas ; avant l'entretien ; avant de changer les lames, les forets, les couteaux, etc.

LAISSEZ EN PLACE LES CARTERS DE PROTECTION

Ils doivent être en bon état, bien réglés et bien alignés.

ENLEVEZ LES CLÉS DE RÉGLAGE ET SERRAGE

Quand ils ne servent pas ; avant l'entretien ; avant de changer les lames, les forets, les couteaux, etc.

ÉVITEZ LES MISES EN MARCHÉ ACCIDENTELLES

Assurez-vous que l'interrupteur est en position « ARRÊT » quand vous branchez l'outil.

NE MONTEZ JAMAIS SUR L'OUTIL NI SUR SON SOCLE

L'utilisateur s'expose à de graves blessures s'il renverse l'outil ou s'il entre en contact avec l'outil de coupe. Ne pas entreposer des objets quelconques, sur l'outil ou près de celui-ci, de façon à ce qu'il faille monter sur l'outil ou sur son socle pour les atteindre.

EXAMINEZ LES PIÈCES ENDOMMAGÉES

Avant de poursuivre votre travail, examinez soigneusement toute pièce endommagée afin de vérifier si elle fonctionne toujours correctement et qu'elle remplit la fonction voulue. Vérifiez que les pièces mobiles sont correctement alignées et bien assujetties, et remédiez à tout autre problème qui risquerait d'affecter son fonctionnement. Un carter de sécurité ou toute autre pièce qui serait en mauvais état doivent être réparés.

▲ AVERTISSEMENT

Les réparations électriques ou mécaniques ne doivent être entreprises que par des techniciens qualifiés. Adressez-vous à votre Centre de service en usine Bosch le plus proche, à une Station-service Bosch agréée ou à un autre service de réparation compétent.

▲ AVERTISSEMENT

N'utilisez que des pièces de rechange Bosch; tout autre type de pièce risquerait de présenter un danger.

▲ AVERTISSEMENT

N'utilisez que des accessoires que le fabricant recommande pour votre modèle d'outil. Certains accessoires peuvent convenir à un outil, mais être dangereux avec un autre.

Utilisation de l'outil

N'IMPOSEZ PAS DE CONTRAINTES EXCESSIVES À L'OUTIL

Il sera plus efficace et plus sûr si vous le faites fonctionner au régime pour lequel il a été conçu.

EMPLOYEZ L'OUTIL QUI CONVIENT

N'employez pas un outil ou un accessoire de capacité réduite pour faire un travail exigeant un outil de grande puissance. N'utilisez pas l'outil pour des travaux autres que ceux pour lesquels

« CONSERVEZ CES INSTRUCTIONS »

Consignes de sécurité supplémentaires

il a été conçu. Par exemple, n'utilisez pas une scie circulaire pour couper des branches d'arbre ou des rondins.

ASSUJETTISSÉZ BIEN LA PIÈCE SUR LAQUELLE VOUS TRAVAILLEZ

Maintenez-la en place avec des serre-joints ou un étau. Vous courez moins de risques qu'en la tenant à la main, et garderez ainsi les deux mains libres pour actionner l'outil.

DIRECTION DE COUPE

Faites avancer l'ouvrage contre une lame ou autre outil de coupe uniquement dans la direction opposée au sens de rotation de ces derniers.

NE VOUS ÉLOIGNEZ JAMAIS DE L'OUTIL SANS L'ARRÊTER

Coupez le contact et ne vous éloignez pas avant que l'outil ait complètement cessé de fonctionner.

Entretien de l'outil

NE MODIFIEZ PAS L'OUTIL ET NE LE SOUMETTEZ PAS À UN USAGE ABUSIF

Cet outil a été fabriqué selon des critères de haute précision. Toute modification ou transformation non prévue constitue un usage abusif et risque de présenter un danger.

ÉVITEZ LES ENDROITS À L'ATMOSPHÈRE CONTAMINÉE PAR DES GAZ

N'employez pas d'outils électriques dans une atmosphère gazeuse ou explosive. Les moteurs de ces outils produisent normalement des étincelles qui risqueraient de présenter un danger.

PRENEZ SOIN DE VOS OUTILS ET ENTRETENEZ-LES BIEN

En les gardant bien affûtés et propres, vous en obtiendrez le rendement maximum dans des conditions optimales de sécurité. Suivez les instructions pour le graissage ou la pose et le démontage des accessoires. Inspectez les cordons d'alimentation à intervalles réguliers et, s'ils sont endommagés, faites-les réparer à un centre de service après-vente autorisé. Inspectez périodiquement les cordons de rallonge et remplacez ceux qui ont été endommagés. Gardez les poignées des outils sèches, propres et exemptes de toute trace d'huile ou de graisse.

▲ AVERTISSEMENT Avant de raccorder votre outil à une source de courant (prise de courant, etc.), assurez-vous que la tension est bien la même que celle indiquée sur la plaque d'identification de l'outil. Le branchement d'un outil sur une source de courant ayant une tension supérieure à celle prescrite par le fabricant présente des risques de dommages corporels graves pour l'utilisateur et peut causer des dégâts à l'outil. En cas de doute, NE BRANCHEZ PAS L'OUTIL SUR UNE PRISE DE COURANT. L'utilisation d'une source de courant ayant une tension inférieure à celle indiquée sur la plaque d'identification peut endommager le moteur.

▲ AVERTISSEMENT Pour votre sécurité, ne mettez pas en marche votre perceuse avant de l'avoir complètement assemblée et installée conformément aux instructions ... et d'avoir lu et compris les chapitres suivants :

1. Consignes générales de sécurité	45-48
2. Outils à double isolation	49
3. Familiarisez-vous avec votre scie à table	52-53
4. Assemblage	55-58
5. Réglages	59-63
6. Utilisation de la scie à table	64-84
7. Entretien	84-85

STABILITÉ DE LA SCIE

Votre scie DOIT ÊTRE SOLIDEMENT BOULONNÉE sur un support ou établi. En outre, si elle a la moindre tendance à basculer ou à bouger lors de certaines opérations telles que la coupe de longues et lourdes planches, utilisez un support auxiliaire.

LIEU D'UTILISATION

Utilisez la scie dans un endroit bien éclairé et installez-la sur une surface plane, propre et suffisamment dégagée pour que vous ne risquiez pas de trébucher ou de tomber. Choisissez un endroit assez grand pour que l'utilisateur comme l'observateur ne soient pas forcés de se tenir dans l'axe longitudinal de la lame.

REBOND

Un rebond éventuel peut causer de graves blessures. Un « REBOND » se produit lorsqu'une partie de l'ouvrage se coince entre la lame et le guide de refente ou autre objet fixe. Un rebond peut aussi avoir lieu si la lame se coince dans l'ouvrage en raison d'un mauvais alignement. Lors d'un rebond, l'ouvrage est soulevé de la table de coupe et projeté en direction de l'utilisateur. Tenez-vous (votre visage y compris) de côté par rapport à la lame afin de ne pas vous trouver sur la trajectoire de l'ouvrage en cas de « REBOND ».

ON PEUT GÉNÉRALEMENT ÉVITER LES REBONDS ET D'ÉVENTUELLES BLESSURES EN PRENANT LES PRÉCAUTIONS SUIVANTES :

- Veiller à ce que le guide de refente soit parallèle à la lame.
- Garder la lame bien affûtée. Remplacer ou affûter les taquets anti-rebond lorsqu'ils sont émoussés.
- Laisser en place le protège-lame, le séparateur et les taquets anti-rebond et veiller à ce qu'ils jouent correctement leur rôle. Le séparateur doit être aligné avec la lame et les taquets doivent couper court à tout rebond éventuel. Vérifier s'ils fonctionnent avant de procéder à toute coupe en long.
- NE PAS faire de coupe en long sur une pièce voilée ou gondolée ou qui ne comporte pas de bordure rectiligne pouvant glisser convenablement contre le guide de refente.
- NE PAS relâcher la pression exercée sur l'ouvrage avant d'avoir poussé ce dernier complètement hors de la lame.
- Utiliser une baguette-poussoir pour la coupe en long de pièces de 2 à 6 po de largeur et un guide de coupe auxiliaire et un plateau-poussoir pour la coupe en long de pièces d'une largeur inférieure à 2 po (voir « Utilisation de la scie avec le guide de refente », aux pages 71-73).
- NE PAS LAISSER entre la lame et le guide de coupe la partie venant d'être coupée (coupe en long ou en travers).

« CONSERVEZ CES INSTRUCTIONS »

Consignes de sécurité supplémentaires

h. Pour la coupe en long, faire avancer l'ouvrage en appliquant la pression sur la section de ce dernier située entre la lame et le guide de refente. Le cas échéant, se servir d'une baguette-poussoir ou d'un plateau-poussoir (voir « f », ci-dessus).

PROTECTION : Yeux, mains, visage, oreilles et reste du corps.

AVERTISSEMENT

POUR NE PAS ÊTRE HAPPÉ PAR L'OUTIL DE COUPE ...

NE PAS PORTER DE : gants de trop grande taille
vêtements flottants
cravate, bijoux

ATTACHEZ LES CHEVEUX LONGS ROULEZ LES MANCHES LONGUES JUSQU'AU-DESSUS DES COUDES

a. Si une pièce quelconque de la scie manque, ne fonctionne pas, est endommagée ou cassée (p. ex., interrupteur du moteur, autre commande, dispositif de sécurité ou câble d'alimentation), cessez d'utiliser l'outil jusqu'à ce que la pièce en question soit correctement réparée ou remplacée.

b. Portez des lunettes de sécurité et un masque facial si la coupe produit beaucoup de sciure. Portez un serre-tête antibruit ou des bouchons d'oreilles lors d'opérations de longue durée. Des fragments de bois ou d'autres objets de petite taille qui entreraient en contact avec l'arrière de la lame en mouvement pourraient être violemment projetés en direction de l'utilisateur. On peut généralement éviter ce genre d'incident en maintenant en place le protège-lame et le séparateur pour toutes les opérations de coupe de l'ouvrage « DE PART EN PART » (d'un bord à l'autre) ET en faisant tomber tous les fragments de matériau de la table de coupe à l'aide d'un bâton, DÈS qu'ils se détachent.

c. Faites très attention lorsque vous exécutez des opérations nécessitant le démontage du protège-lame, tels que les coupes de dédoublement, le rainurage et l'exécution de feuillures ou de moulures, et remettez le protège-lame en place dès que l'opération est terminée.

d. Ne mettez JAMAIS la scie en marche avant d'avoir dégagé la table de coupe de tous outils, fragments de bois, etc. pouvant s'y trouver, exception faite de l'ouvrage et des accessoires devant servir à le faire avancer ou à le soutenir pendant l'opération prévue.

e. Ne vous tenez JAMAIS (votre visage y compris) dans l'axe longitudinal de l'outil de coupe.

- Ne mettez JAMAIS vos doigts ou mains dans une position telle qu'ils risquent de se faire happer par la lame ou tout autre outil de coupe.

- Ne tendez JAMAIS le bras par-dessus l'outil de coupe afin de maintenir ou soutenir l'ouvrage, de retirer des fragments de bois ou pour toute autre raison. Évitez les opérations et positions délicates pouvant faire que vos doigts ou mains entrent en contact avec la lame ou l'outil de coupe s'ils venaient à glisser.

- Ne travaillez JAMAIS « À MAIN LEVÉE » — servez-vous toujours soit du guide de refente, soit du guide de coupe angulaire pour positionner et guider l'ouvrage.

- N'utilisez JAMAIS le guide de refente pour pratiquer des coupes transversales, ni le guide de coupe angulaire pour exécuter des coupes en long. N'utilisez PAS le guide de refente comme butée longitudinale.

- Ne tenez ni ne touchez JAMAIS « l'extrémité libre » de l'ouvrage, ni aucun morceau de bois venant d'être coupé, alors que la machine est en marche ou que la lame tourne.

- Arrêtez la machine et débranchez le cordon d'alimentation avant d'enlever l'élément amovible de la table de coupe, de changer l'outil de coupe, de retirer ou de remettre en place le protège-lame, ou de procéder à tout réglage.

- En cas de découpage de longues pièces ou de pièces plus larges que la table de coupe, prévoyez des supports à l'arrière et sur les côtés de la scie.

- Votre scie peut couper le plastique et les matériaux composites (tels que les panneaux de fibres comprimées). Toutefois, étant donné que ces matériaux sont en général très durs et glissants, il se peut que les taquets anti-rebond ne remplissent pas leur office. Par conséquent, veillez à vous conformer absolument à la marche à suivre pour les coupes en long, aussi bien en ce qui concerne les préparatifs que la coupe proprement dite. Ne vous tenez pas, et ne laissez personne se tenir dans l'axe d'un rebond éventuel.

f. Si la lame se coince dans l'ouvrage, mettez l'interrupteur de la scie en position « ARRÊT », dégagez l'ouvrage et assurez-vous que la lame est parallèle aux fentes ou rainures de la table et que le séparateur est bien aligné avec la lame. Si la chose se produit au cours d'une opération de coupe en long, vérifiez si le guide de refente est parallèle à la lame. Le cas échéant, faites les réglages selon les instructions.

g. Ne faites JAMAIS de coupe par lots (c'est-à-dire aligner plus d'une pièce en face de la lame, verticalement ou horizontalement, et pousser le tout contre la lame). La lame pourrait se coincer dans une ou plus d'une pièce et provoquer une perte de contrôle et d'éventuelles blessures.

h. NE DÉGAGEZ PAS de fragments de matériau pouvant être emprisonnés dans le protège-lame pendant que la scie est en marche. Vous risqueriez de vous blesser les mains ou de provoquer un rebond. Mettez l'interrupteur en position « ARRÊT » et attendez que la lame s'immobilise.

11. FAMILIARISEZ-VOUS AVEC VOS OUTILS DE COUPE

Si l'outil de coupe est émoussé, encrassé, mal aiguisé ou mal installé, l'ouvrage risque de provoquer un grippage, de coincer la lame ou de bloquer la machine, ou encore de donner lieu à un rebond en direction de l'utilisateur. Limitez les risques de blessures en entretenant correctement l'outil de coupe et la machine. NE TENTEZ JAMAIS DE DÉGAGER UNE LAME QUI S'EST

« CONSERVEZ CES INSTRUCTIONS »

Consignes de sécurité supplémentaires

BLOQUÉE SANS AVOIR D'ABORD MIS L'INTERRUPTEUR EN POSITION « ARRÊT ».

- a. Ne vous servez JAMAIS de meules, de disques abrasifs de découpage, de roues de friction (fraises-scies), de brosses métalliques ou de disques de polissage.
- b. N'UTILISEZ QUE DES ACCESSOIRES RECOMMANDÉS.
- c. Les coupes transversales seront plus aisées et la sécurité sera meilleure si vous montez une planche de guidage auxiliaire sur le guide de coupe angulaire (voir page 74).
- d. Assurez-vous que la partie supérieure de l'outil de coupe tourne dans votre direction lorsque vous vous tenez en position de coupe. Vérifiez également si l'outil de coupe, les colliers de l'arbre et l'écrou de fixation sont correctement installés. Maintenez l'outil de coupe le plus bas possible pour l'opération envisagée. Dans la mesure du possible, laissez en place tous les éléments de protection.

- N'utilisez aucune lame ou aucun autre type d'outil de coupe conçus pour une vitesse de rotation inférieure à 4800 tr/mn. N'utilisez jamais un outil de coupe d'un diamètre supérieur au diamètre maximum en fonction duquel la scie a été conçue. Pour une efficacité et une sécurité maximums lors d'opérations de coupe en long, servez-vous d'une lame du diamètre maximum autorisé; ainsi, le séparateur sera tout près de la lame.

- e. Assurez-vous que l'élément amovible de la table de coupe est exactement à niveau avec la table ou légèrement en retrait par rapport à cette dernière sur tous les côtés mis à part l'arrière. N'utilisez JAMAIS la scie sans que l'équipement approprié soit en place.

12. LA SÉCURITÉ AVANT TOUT

AVERTISSEMENT POUR ASSURER SA SÉCURITÉ, L'UTILISATEUR DOIT FAIRE PREUVE DE BON SENS ET DE PRUDENCE PENDANT TOUT LE TEMPS OÙ IL SE SERT DE LA SCIE À DÉCOUPER.



Ne laissez pas l'habitude (découlant d'un usage fréquent de votre scie) endormir votre vigilance. N'oubliez jamais qu'une fraction de seconde d'inattention peut entraîner de graves blessures.

Les outils électriques peuvent projeter des corps étrangers dans les yeux de leur utilisateur et lui infliger de graves blessures oculaires. Portez toujours des lunettes de sécurité répondant aux normes ANSI Z87.1 (cette caractéristique est indiquée sur l'emballage) avant d'utiliser un outil électrique.

AVERTISSEMENT Les travaux à la machine tel que ponçage, sciage, meulage, perçage et autres travaux du bâtiment peuvent créer des poussières contenant des produits chimiques qui sont des causes reconnues de cancer, de malformation congénitale ou d'autres problèmes reproductifs. Ces produits chimiques sont, par exemple :

- Le plomb provenant des peintures à base de plomb,
- Les cristaux de silices provenant des briques et du ciment et d'autres produits de maçonnerie, et
- L'arsenic et le chrome provenant des bois traités chimiquement

Le niveau de risque dû à cette exposition varie avec la fréquence de ces types de travaux. Pour réduire l'exposition à ces produits chimiques, il faut travailler dans un lieu bien ventilé et porter un équipement de sécurité approprié tel que certains masques à poussière conçus spécialement pour filtrer les particules microscopiques.

LISEZ ET SUIVEZ LES CONSIGNES DE SÉCURITÉ FIGURANT À L'AVANT DE VOTRE SCIE DE TABLE.

ADVERTENCIA Para su propia seguridad: Lea y entienda el manual del usuario antes de utilizar la sierra.

- Use protección de los ojos, tapones de oídos y máscara antipolvo según sea necesario. Sepa cómo apagar la herramienta en una emergencia.
- Antes de comenzar cualquier "corte pasante", asegúrese de que:
 - los protectores de la hoja no estén bloqueados en la posición hacia "arriba", que se puedan mover libremente hacia arriba y hacia abajo y que estén descansado sobre la mesa.
 - la cuchilla separadora esté en la posición completamente hacia "arriba".
 - los trinquetes antirretroceso estén instalados.
- la profundidad de corte esté ajustada justo por encima del grosor de la pieza de trabajo.
- Cuando corte al hilo:
 - empuje la pieza de trabajo solamente sobre el lado de la hoja correspondiente al tope-guía.
 - no ponga nunca más allá del punto central de la hoja la mano que no esté usando para empujar.
 - el tope-guía debe estar paralelo a la hoja.
 - para realizar cortes en bisel, use el tope-guía solamente en el lado derecho de la hoja.
 - use un "palo de empujar" o un "bloque de empujar" en el caso de piezas de trabajo estrechas.
 - Sepa como evitar el riesgo de "retroceso". No

- No se sitúe delante de la hoja de sierra que gira. Mantenga el cuerpo y las manos en cualquiera de los dos lados de la hoja. No punga nunca las manos alrededor de la hoja de sierra ni sobre ella.
- Desconecte la sierra de la fuente de energía antes de realizar servicio de ajustes y reparaciones o de cambiar la hoja. No se debe hacer ningún ajuste hasta que la herramienta se haya detenido.
- No deje que las piezas de cortadas sueltas queden en cuenta entre la hoja que gira y el tope-guía.
- No retire nunca las piezas aloradas o cortadas hasta que la hoja se haya detenido.
- No haga nunca cortes utili zando el calibre de ingletes junto con el tope-guía.
- No realice ninguna operación "a pulso".
- Use el calibre de ingletes para cortar transversalmente. Cuando el calibre de ingletes esté ajustado


- más allá de 45 grados, la madera podría forzar el protector hacia la hoja.
- Antes de realizar "cortes no pasantes", quite el protector y los trinquetes antirretroceso, y ajuste la cuchilla separadora a la posición justo debajo de la altura de la hoja de sierra. Para "cortar ranuras", la cuchilla separadora se debe ajustar a la posición más baja.
- Soporte las piezas de trabajo anchas o largas con bases de soporte auxiliares.
- Sujete firmemente la base de la herramienta a una plataforma estable o un banco de trabajo estable.
- Mantenga el interior de la sierra libre de acumulación de aserrín para evitar el peligro de incendio.
- Cuando haga servicio de ajustes y reparaciones de la herramienta, utilice únicamente piezas de repuesto idénticas.
- No exponga la herramienta a la lluvia ni la use en lugares húmedos.

AVERTISSEMENT Pour votre propre sécurité: Lisez et suivez le mode d'emploi avant d'utiliser la scie.

- Portez des lunettes de sécurité, un dispositif de protection des oreilles et un masque antipoussières suivant les besoins. Apprenez comment éteindre un outil rapidement en cas d'urgence.
- Avant de commencer toute coupe transversalement un ouvrage, vérifiez ce qui suit :
 - le dispositif de protection de la lame n'est pas verrouillé dans la position du haut ; il peut monter ou descendre librement et repose sur la table.
 - le couteau diviseur est dans la position la plus haute possible.
 - des cliquets de protection contre les chocs en retour sont attachés.
 - la profondeur de coupe est ajustée juste au-dessus de l'épaisseur de l'ouvrage.
 - Pour les coupes longitudinales:



Double isolation

La double isolation  est utilisée dans les outils électriques pour éliminer le besoin de cordon d'alimentation trois fils, dont la prise de terre, et de dispositif d'alimentation à prise de terre. Elle est homologuée par l'Underwriter's Laboratories, l'ACNOR et l'OSHA.

IMPORTANT : L'entretien d'un outil à double isolation exige la connaissance du système et la compétence d'un technicien qualifié

EN CAS D'ENTRETIEN, N'UTILISEZ QUE DES PIÈCES DE RECHANGE IDENTIQUES.

FICHES POLARISÉES. Si votre outil est équipé d'une fiche polarisée (une lame plus large que l'autre) elle ne s'enfiche que d'une manière dans une prise polarisée. Si la fiche n'entre pas à fond dans la prise, tournez-la d'un demi-tour. Si elle refuse encore d'entrer, demandez à un électricien qualifié d'installer une prise appropriée. Pour réduire le risque de chocs électriques, ne modifiez la fiche d'aucune façon.

Rallonges

AVERTISSEMENT Remplacez immédiatement toute rallonge endommagée. L'utilisation de rallonges endommagées risque de provoquer un choc électrique, des brûlures ou l'électrocution.

AVERTISSEMENT Toujours utiliser une rallonge appropriée. En cas de besoin d'une rallonge, utilisez un cordon de calibre satisfaisant pour éviter toute chute de tension, perte de courant ou surchauffe. Le tableau ci-contre indique le calibre des rallonges recommandées en fonction de leur longueur et de l'intensité indiquée sur la plaque du constructeur de l'outil. En cas de doute, optez pour le prochain calibre inférieur. Utilisez toujours des rallonges homologuées par l'U.L. et l'ACNOR.

DIMENSIONS DE RALLONGES RECOMMANDÉES OUTILS 120 VOLTS COURANT ALTERNATIF

Intensité nominale de l'outil	Longueur en pieds				Longueur en mètres			
	Calibre A.W.G.				Calibre en mm ²			
	25	50	100	150	15	30	60	120
3-6	18	16	16	14	0.75	0.75	1.5	2.5
6-8	18	16	14	12	0.75	1.0	2.5	4.0
8-10	18	16	14	12	0.75	1.0	2.5	4.0
10-12	16	16	14	12	1.0	2.5	4.0	—
12-16	14	12	—	—	—	—	—	—

REMARQUE : Plus le calibre est petit, plus le fil est gros.

« CONSERVEZ CES INSTRUCTIONS »

Table des matières

	Page		Page
Consignes générales de sécurité	45	Repère de sciage	52
Consignes de sécurité supplémentaires	46-48	Compartiment de rangement du guide de coupe angulaire	52
Double isolation et rallonges	49	Lame, clé et coffret de transport	52
Table des matières	49-50	Clé hexagonale et rangement	53
Lexique	50-51	Rangement du cordon	53
Outils nécessaires à l'assemblage	51	Raccord d'aspiration	53
Familiarisez-vous avec votre scie de table	52-53	Guide de refente	53
Interrupteur	52	Système Smart Guard	53
Table de coupe	52	Rangement du système Smart Guard	53
Embase/Sous-embase	52	Élément amovible de la table de coupe	53
Poignée de verrouillage du dispositif d'inclinaison de la lame	52	Chariot numérique (Modèle 4100DG-09 seulement)	53
Rallonge de table	52	Ouverture de l'emballage et vérification du contenu	54
Poignée de verrouillage de la rallonge de table	52	Liste des pièces fournies	54
Volant de réglage de hauteur	52	Assemblage	55-58
Échelle d'inclinaison de la lame	52	Montage des composants du système	
Échelle de réglage de la position du guide de refente	52	Smart Guard	55-56
Échelle de réglage de la position du guide de coupe angulaire	52	Changement de la lame	57
Compartiment de rangement du guide de refente	52	Montage du guide de refente	58
		Installation de la scie de table	58

	Page		Page
Réglages	59-63	Accessoires de sciage	73
Réglage des butées fixes à 90° et à 45	59	Utilisation du guide de coupe angulaire	74
Réglage du parallélisme de la lame	60	Coupe transversale	75
Réglage du guide de coupe angulaire	60	Coupe à répétition	76
Alignement du guide de refente	61	Coupe angulaire	77
Réglage de l'indicateur du guide de refente	61	Coupe transversale biseautée	77
Réglage de l'indicateur de la table	62	Coupe angulaire biseautée	77
Réglage de l'élément rapporté de la table	62	Utilisation du guide de refente	77-78
Alignement du Couteau Diviseur	62-63	Coupe en long	79
Utilisation de la scie de table	64-84	Coupe partielle	80
Interrupteur de sécurité	64	Feuillures	80
Système Smart Guard	64-65	Rainures et moulures	82-83
Réglage de la rallonge de table	65	Entretien de la scie de table	84-85
Chariot numérique (Modèle 4100DG-09 seulement)	66-71	Lubrification	85
Repère de sciage	72	Accessoires	85
Utilisation de l'indicateur du guide de refente	72	Guide de diagnostic	86
Utilisation de l'indicateur de la table	72		

Lexique

OUVRAGE

Pièce subissant l'opération de coupe. Les différentes surfaces de l'ouvrage sont communément appelées faces, extrémités et bords.

TAQUETS ANTI-REBOND

Système qui, lorsqu'il est correctement entretenu, sert à empêcher que l'ouvrage ne soit projeté en direction de l'utilisateur.

ARBRE

Axe sur lequel est monté l'outil de coupe.

COUPE TRANSVERSALE

Opération de coupe ou de mise en forme faite dans le sens de la largeur de l'ouvrage (mise de l'ouvrage à la longueur voulue).

RAINURE

Coupe partielle produisant une entaille ou gorge de section carrée.

PLANCHE À LANGUETTES

Accessoire contribuant à guider l'ouvrage pendant les opérations de coupe en long; maintient l'ouvrage en contact avec le guide de refente et contribue à prévenir les rebonds.

COUPE À MAIN LEVÉE

Coupe exécutée sans l'aide d'une butée, d'un guide orientable, d'un dispositif de fixation ou de retenue, ni d'aucun autre système visant à empêcher l'ouvrage de se déplacer pendant la coupe.

GOMME

Dépôt glutineux provenant de la sève des produits à base de bois; une fois durcie, se nomme « RÉSINE ».

DÉVIATION

Mauvais alignement de la lame faisant que sa partie arrière entre en contact avec la surface de l'ouvrage venant d'être coupée. Cette déviation peut entraîner des rebonds ou le blocage de la machine, faire forcer le moteur, provoquer un échauffement excessif de l'ouvrage ou faire que l'ouvrage se fende. D'une manière générale, une déviation de la lame empêche de réaliser des coupes propres et peut donner lieu à des situations dangereuses.

TRAIT DE SCIE

Entaille pratiquée par la lame lors d'une opération de coupe de part en part ou entaille laissée par la lame lors d'une opération de coupe partielle.

VOIE

Épaisseur du trait de scie, correspond à l'épaisseur de matière enlevée par la lame.

EXTRÉMITÉ AVANT

Extrémité de l'ouvrage qui entre la première en contact avec la lame lors d'une opération de coupe en long.

MOULURE

Coupe partielle de profil particulier servant à l'assemblage ou à la décoration.

COUPE PARTIELLE

Toute opération de coupe lors de laquelle la lame ne traverse pas complètement l'ouvrage.

BAGUETTE-POUSSOIR

Accessoire servant à faire avancer l'ouvrage contre la lame lors d'opérations de coupe en long de pièces étroites de façon à ce que les mains de l'utilisateur demeurent à bonne distance de la lame. Servez-vous de la baguette-poussoir lorsque la largeur de la pièce à refendre se situe entre 2 et 6 pouces.

PLATEAU-POUSSOIR

Accessoire utilisé lors d'opérations de coupe en long de pièces trop étroites pour que l'on puisse utiliser une baguette-poussoir. Servez-vous d'un plateau-poussoir lorsque la largeur de la pièce à refendre est inférieure à 2 pouces.

FEUILLURE

Entaille pratiquée sur le bord de l'ouvrage. On l'appelle parfois rainure de bord.

COUPE EN LONG

Coupe pratiquée dans le sens de la longueur de l'ouvrage (coupe de l'ouvrage à la largeur voulue).

TOURS-MINUTE (TR-MN)

Nombre de révolutions accomplies par un objet rotatif en l'espace d'une minute.

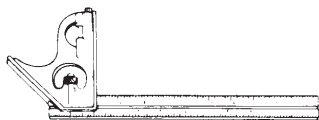
Outils nécessaires à l'assemblage



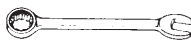
TOURNEVIS DE TAILLE MOYENNE



TOURNEVIS À LAME CRUCIFORME



ÉQUERRE À COMBINAISON

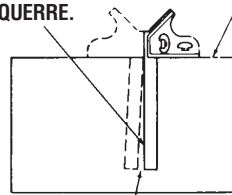


CLÉ DE 10 MM
OU CLÉ À MOLETTE

L'ÉQUERRE À COMBINAISON DOIT ÊTRE BIEN RÉGLÉE

TRACÉ UN TRAIT LÉGER SUR LE PANNEAU EN SUIVANT CE BORD DE L'ÉQUERRE.

PANNEAU DE 3/4 PO D'ÉPAISSEUR. CE BORD DOIT ÊTRE PARFAITEMENT RECTILIGNE.



LORSQUE L'ÉQUERRE EST POSITIONNÉE SUIVANT LE POINTILLÉ, IL NE DOIT Y AVOIR NI ÉCART, NI CHEVAUCHEMENT.

Familiarisez-vous avec votre scie de table

1. INTERRUPTEUR MARCHE-ARRÊT

L'interrupteur comporte un orifice permettant d'y placer un cadenas afin d'empêcher une mise en marche accidentelle.

2. TABLE DE COUPE

Grande surface de travail qui permet de bien soutenir l'ouvrage.

3. EMBASE / SOUS-EMBASE

Supporte la scie de table. La sous-embase fournit plus de stabilité et permet un glissement plus facile sur les surfaces. Des orifices ont été créés dans l'embase pour boulonner la scie sur un établi ou une autre plate-forme de support.

4. POIGNÉE DE VERROUILLAGE DU DISPOSITIF D'INCLINAISON DE LA LAME

Verrouille le mécanisme d'inclinaison après réglage de la lame dans la position voulue.

5. RALLONGE DE TABLE

Élargit la surface de travail pour permettre de scier des pièces plus longues.

6. POIGNÉE DE VERROUILLAGE DE LA RALLONGE DE TABLE

Permet de bloquer la rallonge de table à la distance désirée. Rend également impossible l'utilisation de la scie de table avec une rallonge non verrouillée.

7. VOLANT DE RÉGLAGE DE HAUTEUR

Permet de lever ou d'abaisser la lame. Sert aussi à incliner la lame de 0° à 45°.

8. ÉCHELLE D'INCLINAISON DE LA LAME

Indique l'angle d'inclinaison de la lame.

9. ÉCHELLE DU GUIDE DE REFENTE

Indique la distance entre la lame et le guide par l'intermédiaire d'un hublot pratique muni d'une loupe. Utilisez la partie inférieure de l'échelle jusqu'à 13 pouces et la partie supérieure au-delà.

10. GUIDE DE COUPE ANGULAIRE

Le guide peut être réglé dans la position voulue pour l'exécution d'onglets ou d'autres coupes angulaires à l'aide de sa molette de verrouillage. NE MANQUEZ JAMAIS DE BIEN LE SERRER LORSQUE VOUS VOUS SERVEZ DE CE GUIDE.

11. COMPARTIMENT DE RANGEMENT DU GUIDE DE REFENTE

Permet de ne pas égarer le guide de refente lorsque celui-ci n'est pas en utilisation.

12. REPÈRE DE SCIAGE

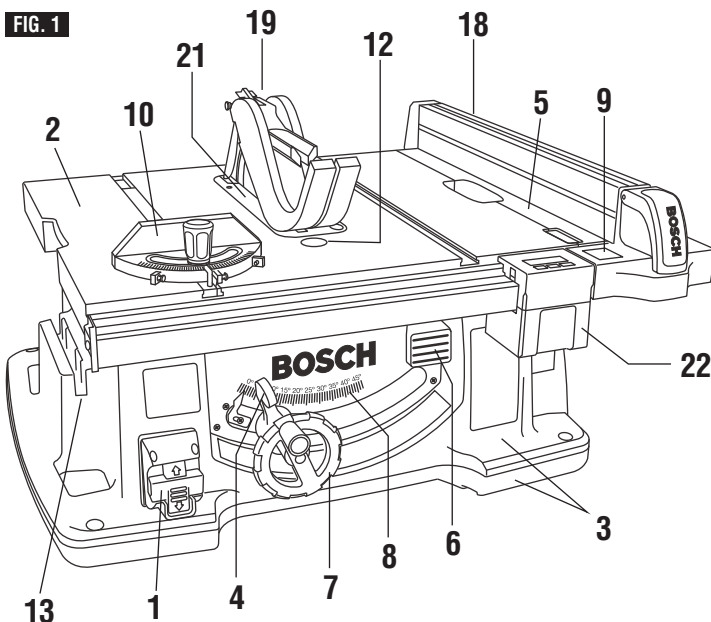
Permet de marquer et de repérer l'endroit exact où la lame pénétrera dans la pièce.

13. COMPARTIMENT DE RANGEMENT DU GUIDE DE COUPE ANGULAIRE

Permet de ne pas égarer le guide de coupe angulaire lorsque celui-ci n'est pas en utilisation.

14. RANGEMENT DE LA LAME & CLÉ

Vous permet de ranger des lames de 10 po et une clé à arbre.



Familiarisez-vous avec votre scie de table

15. CLÉ HEXAGONALE ET COMPARTIMENT DE RANGEMENT

Clé hexagonale pour démonter le protège-lame et ajuster diverses têtes hexagonales sur la scie.

16. RANGEMENT DU CORDON

Permet de facilement enrouler le cordon avant de transporter ou de ranger la scie.

17. RACCORD D'ASPIRATION

Votre scie de table est dotée d'un raccord d'aspiration qui vous permet d'y connecter tout tuyau d'aspiration de 2-1/4 po afin d'évacuer facilement le bran de scie.

18. GUIDE DE REFENTE

Guide de refente à auto-alignement et de réglage rapide; se déplace et se verrouille facilement grâce à sa poignée de verrouillage.

19. SYSTÈME SMART GUARD

Se compose de trois éléments principaux : couteau diviseur réglable (trois positions), dispositif de protection contre les chocs en retour et barrière de sécurité. Ces trois éléments font tous partie d'un système modulaire qui ne nécessite

aucun outil pour son montage ou son démontage. Ce système Guard doit toujours être en place et doit toujours fonctionner correctement pour toutes les coupes traversantes à la scie.

20. RANGEMENT DU SYSTÈME SMART GUARD

Quand ils ne sont pas utilisés, la barrière de sécurité principale et le dispositif de protection contre les chocs en retour peuvent être rangés sous la rallonge de droite de la table.

21. ÉLÉMENT AMOVIBLE DE LA TABLE DE COUPE

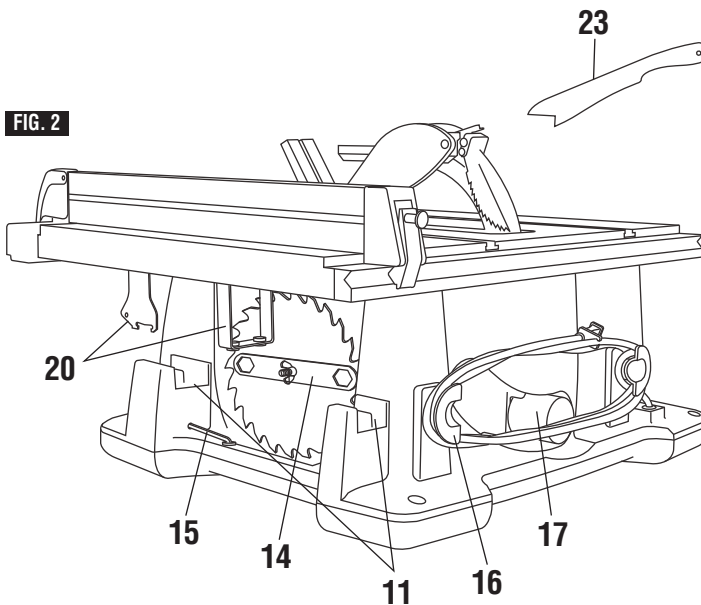
Peut être retiré afin de démonter ou de poser une lame ou autre outil de coupe.

22. CHARIOT NUMÉRIQUE (MODÈLE 4100DG-09 SEULEMENT)

Fournit un affichage numérique des paramètres du guide avec des mesures uniformément précises.

23. POUSSOIR

Vous permet de refendre de petit morceaux de matériau avec un niveau de sécurité plus élevé.



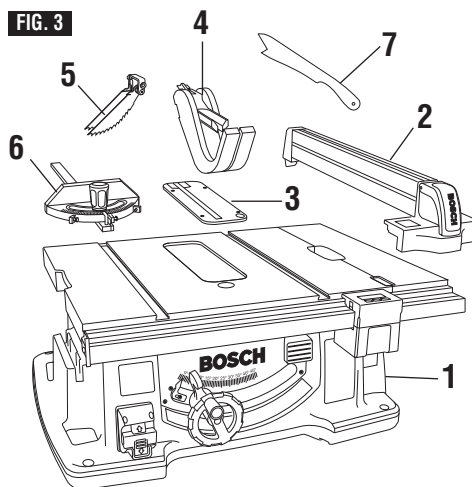
Ouverture de l'emballage et vérification du contenu

⚠ AVERTISSEMENT Afin d'éviter les blessures causées par une mise en marche accidentelle ou un choc électrique, ne branchez pas le cordon d'alimentation sur une prise électrique. Ce cordon ne doit jamais être branché lorsque vous travaillez sur votre scie.

La scie de table modèle 4100 est expédiée complète dans un seul carton.

Déballez toutes les pièces et vérifiez, à l'aide de la « Liste des pièces fournies » et des illustrations, et avant de mettre l'emballage au rebut, que la scie est bien complète (Fig. 3).

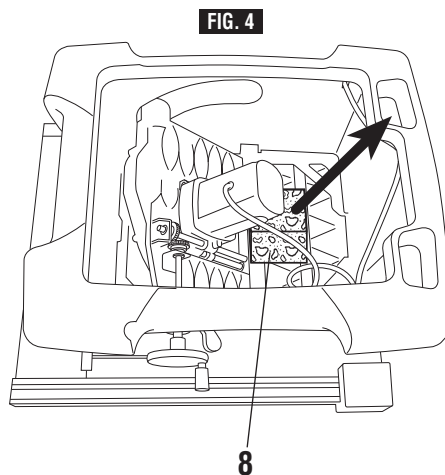
⚠ AVERTISSEMENT S'il manque une ou plusieurs pièces, n'essayez pas d'assembler la scie, de brancher le cordon d'alimentation électrique ou de mettre l'interrupteur en position « MARCHE » avant de vous être procuré et d'avoir installé correctement les pièces manquantes.



LISTE DES PIÈCES FOURNIES

ARTICLE	DESCRIPTION	QUANTITÉ
1	Ensemble table et socle	1
2	Guide de refente	1
3	Élément amovible de la table de coupe	1
4	Protège-lame	1
5	Dispositif de protection contre les chocs en retour	1
6	Guide de coupe angulaire	1
7	Baguette-poussoir	1

REMARQUE : Enlevez le bloc de polystyrène **8** situé entre la table et le moteur (il fait partie de l'emballage) (Fig. 4). Vous risquez d'abîmer le mécanisme de levage de la lame si vous essayez de lever celle-ci sans enlever le bloc de polystyrène.



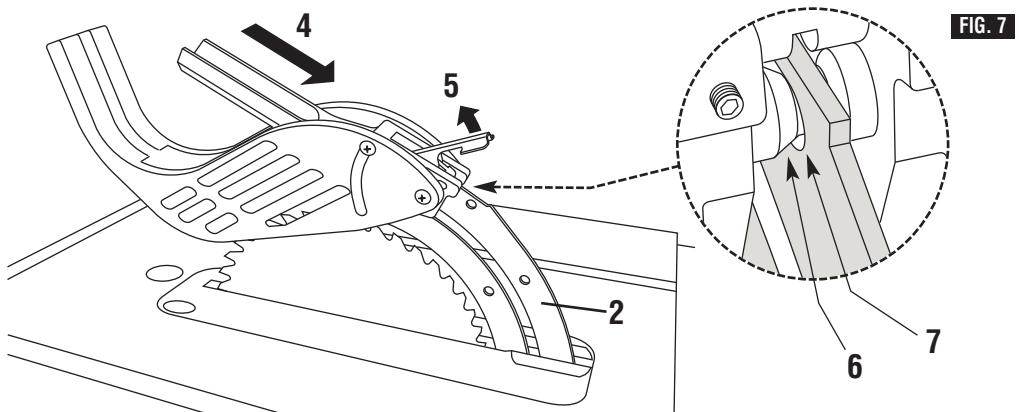
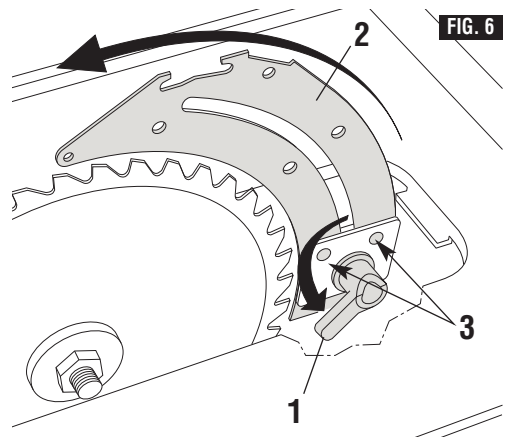
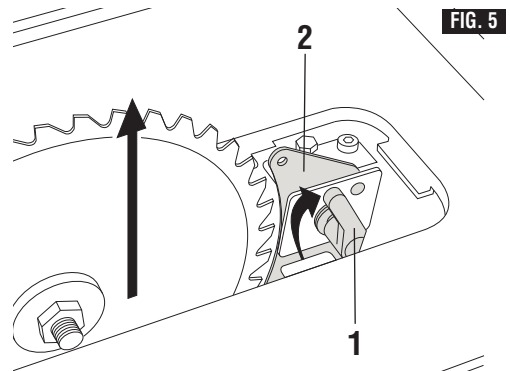
Assemblage

MONTAGE DU SYSTÈME SMART GUARD

⚠ AVERTISSEMENT Pour éviter le risque de blessure, débranchez toujours la fiche de la source d'alimentation électrique avant de monter ou de démonter le système Smart Guard.

POSITIONNEMENT DU COUPEAU DIVISEUR

1. Retirez l'élément rapporté de la table de coupe en utilisant le trou pour les doigts.
2. Élevez la lame aussi haut qu'elle ira et installez-la perpendiculairement à la table (0° sur l'échelle graduée des biseaux) (Fig. 5).
3. Faites tourner le levier de relâchement du coupeau diviseur **1** dans le sens des aiguilles d'une montre de façon qu'il soit orienté vers le haut (Fig. 5).
4. Tirez le coupeau diviseur **2** vers le levier de relâchement afin de le libérer des chevilles **3** (Fig. 6).
5. Faites glisser le coupeau diviseur **2** jusqu'à sa position la plus élevée de façon qu'il soit directement au-dessus du centre de la lame (Fig. 6).
6. Alignez les orifices dans le coupeau diviseur avec les chevilles **3** et verrouillez le levier de relâchement **1** en le faisant tourner dans le sens contraire des aiguilles d'une montre. Tirez et poussez le coupeau diviseur en alternance pour vous assurer qu'il est bien verrouillé en place (Fig. 6).
7. Remettez l'élément rapporté de la table à sa place (Fig. 7).
suite à la page 29



10. Abaissez la partie avant de l'ensemble de barrière de sécurité **4** jusqu'à ce que la « fourchette » en métal soit parallèle à la table (Fig. 8).
11. Appuyez sur le levier de relâchement de la barrière de sécurité **5** jusqu'à ce que vous constatiez tactilement et auditivement qu'il est dans la position de verrouillage. Vérifiez que l'ensemble de barrière de sécurité est connecté solidement (Fig. 8).

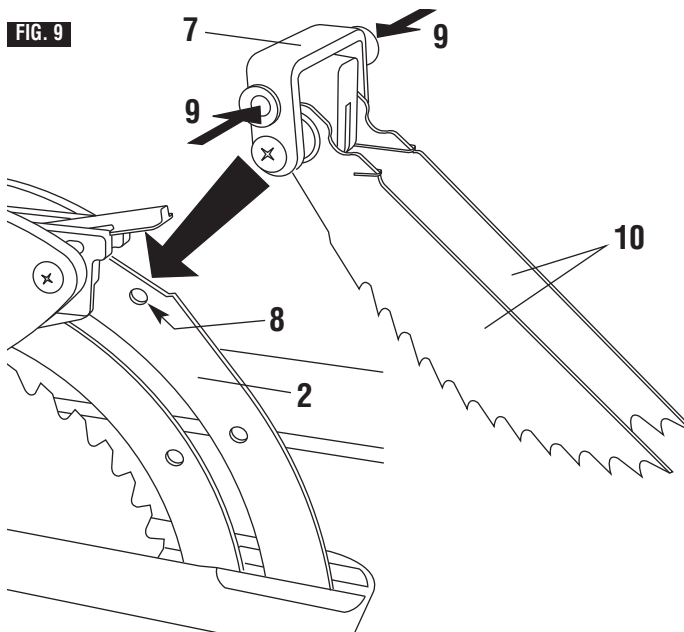
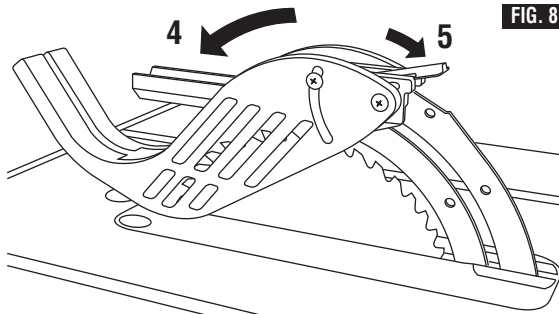
MONTAGE DU DISPOSITIF DE PROTECTION CONTRE LES CHOC EN RETOUR

12. Attachez le dispositif de protection contre les chocs en retour **7** dans la zone plate encastrée **8** du couteau diviseur **2** (Fig. 9).
13. Comprimez les tampons de compression **9** tout en emboîtant le dispositif dans la zone plate (Fig. 9).
14. Relâchez les tampons de compression de façon que le dispositif de protection contre les chocs en retour se

verrouille sur le couteau diviseur juste derrière l'ensemble de barrière de sécurité. Vérifiez que la cheville de fixation est connectée solidement dans l'orifice de verrouillage. Élevez et baissez délicatement les cliquets **10** – lorsque vous les relâchez, ces cliquets à ressort doivent tomber et entrer en contact avec l'élément rapporté de la table (Fig. 9).

Suggestion : positionnez le dispositif de protection contre les chocs en retour derrière la zone plate encastrée et faites-le glisser vers l'avant jusqu'à ce qu'il tombe dans la zone encastrée – puis relâchez les chevilles de compression.

Remarque : les deux accessoires sont indépendants l'un de l'autre. Le dispositif de protection contre les chocs en retour peut donc être monté avant l'ensemble de barrière de sécurité.



CHANGEMENT DE LA LAME

⚠ AVERTISSEMENT Pour éviter les blessures, débranchez toujours le cordon d'alimentation avant de procéder à des réglages.

Utiliser la lame correcte

IMPORTANT : la lame de scie fournie sur cet outil a une largeur de voie à pointe au carbure de 0,128 po et une épaisseur de plaque (corps) d'une épaisseur de 0,086 po. Lorsque vous aurez besoin de remplacer une lame, sélectionnez-en une dont les dimensions sont proches de celle de la lame d'origine. Cette information n'est peut-être pas imprimée sur l'emballage des lames. Si elle ne l'est pas, consultez le catalogue ou le site web du fabricant. Bosch offre une gamme étendue de lames de scie professionnelle de qualité supérieure qui sont compatibles avec cet outil. Vous devez choisir une lame avec une largeur de voie de 0,092 po ou plus et une plaque (corps) ayant une épaisseur 0,088 po ou moins.

⚠ AVERTISSEMENT pour réduire le risque de blessure, n'utilisez pas de lames de scie ayant une voie extra-fine. La voie de la lame doit être plus large que 0,092 po. Des lames de scie dont la voie est extra-fine (moins de 0,092 po) risqueraient de faire adhérer l'ouvrage au couteau diviseur pendant la coupe. Il est recommandé que la voie de la lame de remplacement utilisée sur cette scie soit de 0,092 po ou plus.

⚠ AVERTISSEMENT pour réduire le risque de blessure, n'utilisez pas de lames de scie fabriquées avec une plaque/un corps épais. Si l'épaisseur de la plaque de la lame de scie de remplacement est supérieure à 0,088 po, le couteau diviseur n'aidera pas réellement à réduire les risques de rebond. L'épaisseur de la plaque de la lame de remplacement doit être moins de 0,088 po.

⚠ AVERTISSEMENT pour réduire le risque de blessure, n'utilisez pas d'« amortisseurs », de « stabilisateurs » ou de « collets de raidissement » des deux côtés d'une lame de remplacement. Il s'agit de plaques en métal positionnées contre les côtés de la lame afin de réduire la déflexion qui pourrait se produire lors de l'utilisation de lames de scie fines. L'utilisation de tels dispositifs des deux côtés rendrait impossible un alignement correct de la lame avec le couteau diviseur, ce qui pourrait faire adhérer l'ouvrage à l'outil pendant la coupe. Une plaque de type « stabilisateur » ne peut être placée que contre l'extérieur d'une lame de remplacement fine. Il n'est pas nécessaire d'employer de telles plaques avec la lame Bosch fournie.

1. Tournez le volant de réglage de la hauteur dans le sens des aiguilles d'une montre jusqu'à ce que la lame soit aussi élevée que possible, puis retirez l'élément rapporté de la table 1 en utilisant le trou pour les doigts (Fig. 11).
2. Levez le levier de verrouillage de l'arbre 2 et faites tourner doucement la lame à la main jusqu'à ce que le verrou

FIG. 10

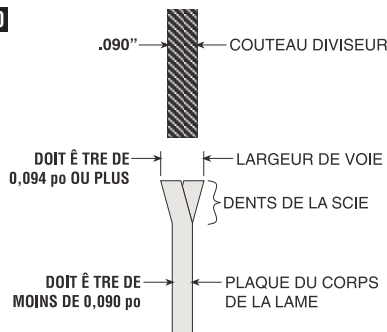


FIG. 11

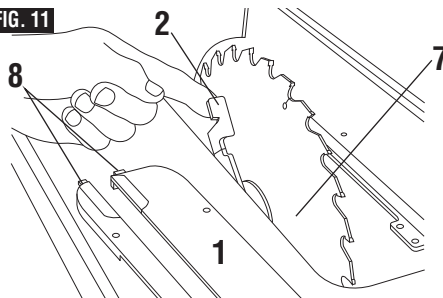
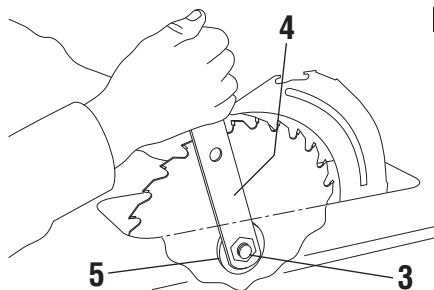


FIG. 12



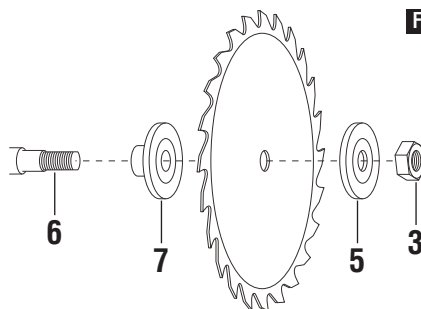
s'enclenche complètement sur l'arbre de la scie et bloque sa rotation (Fig. 11). Desserrer l'écrou de l'arbre 3 en sens anti-horaire à l'aide de la clé d'arbre 4 fournie (Fig. 12). Mettez la clé de côté et finissez de desserrer l'écrou de l'arbre 3 à la main. Enlevez l'écrou de l'arbre 3 et la rondelle extérieure 5. On peut maintenant retirer la lame en la glissant hors de l'arbre et en monter une nouvelle en la glissant sur celui-ci.

3. Montez la rondelle intérieure 7 et la nouvelle lame comme indiqué à la figure 13, en vous assurant que SES DENTS POINTENT VERS LE BAS À L'AVANT DE LA TABLE.

REMARQUE : Les lames ne sont pas toujours imprimées du même côté.

4. Remontez la rondelle extérieure **5** et l'écrou de l'arbre **3** comme indiqué à la figure 13. Serrez fermement celui-ci en sens horaire à l'aide de la clé **4** fournie tout en levant le levier de verrouillage de l'arbre **2** (Fig. 12).
5. Remettez l'élément amovible **1** dans le logement de la table de manière à ce que ses ergots pénètrent dans les fentes de l'évidement de la table. Appuyez sur l'élément amovible et fixez-le à sa place.

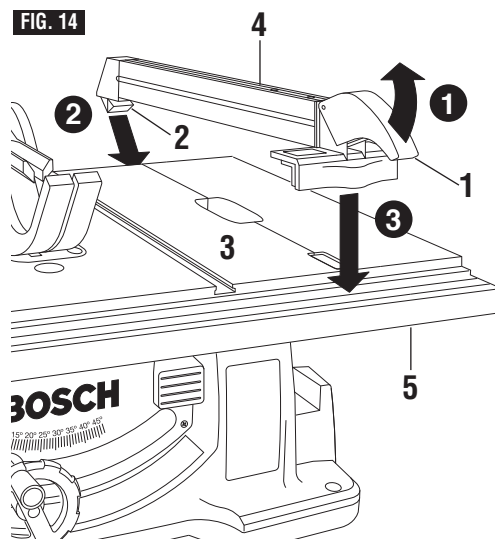
FIG. 13



MONTAGE DU GUIDE DE REFENTE

1. Levez la poignée **1** du guide de refente comme indiqué (Fig. 13) de manière à ce que la mâchoire **2** soit sortie suffisamment pour se monter sur la table **3** et dans la rainure en V située au dos du rail arrière.
2. Placez le guide de refente **4** sur la table **3** en tenant son extrémité avant, enclenchez d'abord la mâchoire arrière **2** dans le rail arrière.
3. Ensuite abaissez la partie avant sur le rail avant **5**.

FIG. 14



INSTALLATION DE LA SCIE DE TABLE

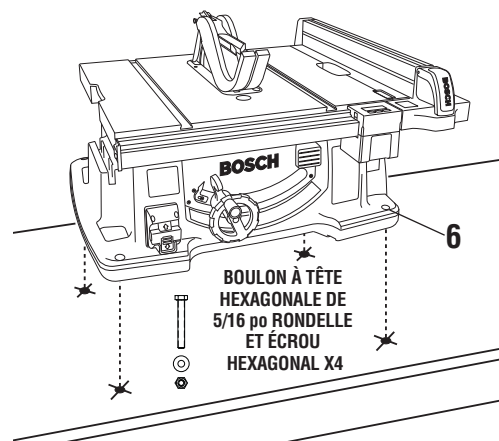
Si vous voulez installer la scie de façon permanente, il vous faut la fixer solidement sur une surface robuste, telle qu'un support ou un établi, à l'aide des quatre orifices **6** prévus à cet effet (deux de ces orifices sont visibles sur la fig. 15).

1. En cas de montage sur un établi, l'embase doit être boulonnée solidement avec des boulons hexagonaux de 5/16 po (non inclus) en utilisant les orifices de montage **6** fournis.

Suggestion : si l'établi a une épaisseur de 3/4 po, les boulons devront avoir une longueur d'au moins 3 1/2 po – si l'établi a une épaisseur de 1 1/2 po, les boulons devront avoir une longueur d'au moins 4 1/2 po.

2. Localisez et marquez les points de montage de la scie par rapport aux orifices dans l'embase de l'outil.
3. Percez quatre (4) orifices de 3/8 po de diamètre à travers l'établi.
4. Placez la scie de table sur l'établi en alignant les orifices de l'embase avec les orifices qui ont été percés dans l'établi.
5. Insérez quatre (4) boulons de 5/16 po de diamètre à travers les orifices dans l'embase et la surface d'appui ; puis assujettissez l'outil en utilisant (4) rondelles plates de 5/16 po et (4) écrous hexagonaux de 5/16 po.

FIG. 15



Réglages

RÉGLAGE DES BUTÉES FIXES À 90° ET 45°

Votre scie est dotée de butées fixes permettant de positionner la lame à 90° et à 45° de la table avec rapidité et précision.

▲ AVERTISSEMENT Pour éviter les blessures, débranchez toujours le cordon d'alimentation avant de procéder à des réglages.

1. Tournant le volant de réglage de la hauteur **2** dans le sens des aiguilles d'une montre et élevez la lame à la hauteur maximum (Fig. 16).

RÉGLAGE DE LA BUTÉE FIXE À 0 DEGRÉ :

2. Desserrez la poignée de verrouillage de l'inclinaison de la lame **1** et poussez le volant de réglage de la hauteur **2** aussi loin que possible vers la gauche, puis serrez la poignée de verrouillage de l'inclinaison de la lame **1** (Fig. 16).
3. Placez une équerre à combinaison sur la table avec un bout de l'équerre contre la lame comme illustré (Fig. 17) et vérifiez si la lame est à 90° par rapport à la table. Si la lame n'est pas à 90 degrés par rapport à la table, desserrez la poignée de verrouillage de l'inclinaison de la lame **1**, desserrez la vis de réglage à 90 degrés **4**, desserrez la came de butée de biseau à 90 degrés **5** et poussez le volant de réglage de la hauteur jusqu'à ce que la lame soit à 90 degrés par rapport à la table.
4. Serrez la poignée de verrouillage de l'inclinaison de la lame **1**, tournez la came de butée de biseau **5** jusqu'à ce qu'elle entre en contact avec le logement de la butée de biseau **7**, puis serrez la vis de réglage à 90 degrés **3**.
5. Desserrez la vis de réglage **6** et ajustez l'indicateur **3** pour produire une lecture de 0 degré sur l'échelle graduée des biseaux.

RÉGLAGE DE LA BUTÉE FIXE À 45 DEGRÉS :

6. Desserrez la poignée de verrouillage de l'inclinaison de la lame **1** et poussez le volant de réglage de la hauteur **2** aussi loin que possible vers la droite, puis serrez la poignée de verrouillage de l'inclinaison de la lame **1**.
7. Placez une équerre à combinaison sur la table avec un bout de l'équerre contre la lame comme illustré (Fig. 18) et vérifiez si la lame est à 45° par rapport à la table. Si la lame n'est pas à 45 degrés par rapport à la table, desserrez la poignée de verrouillage de l'inclinaison de la lame **1**, desserrez la vis de réglage à 45 degrés **8**, desserrez la came de butée de biseau à 45 degrés **9** et poussez le volant de réglage de la hauteur jusqu'à ce que la lame soit à 45 degrés par rapport à la table.
8. Serrez la poignée de verrouillage de l'inclinaison de la lame **1**, tournez la came de butée de biseau à 45 degrés **9** jusqu'à ce qu'elle entre en contact avec le logement de la butée de biseau **7**, puis serrez la vis de réglage à 45 degrés **8**.

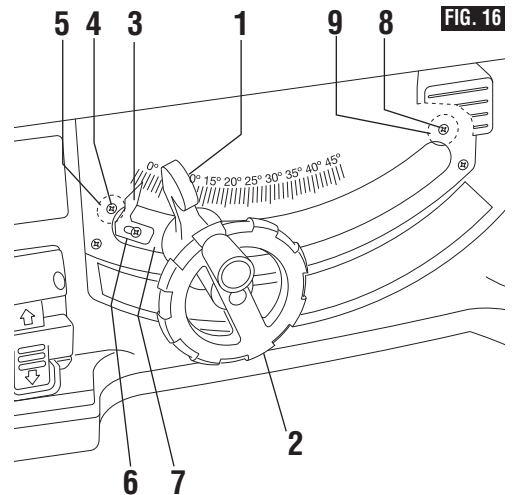


FIG. 16

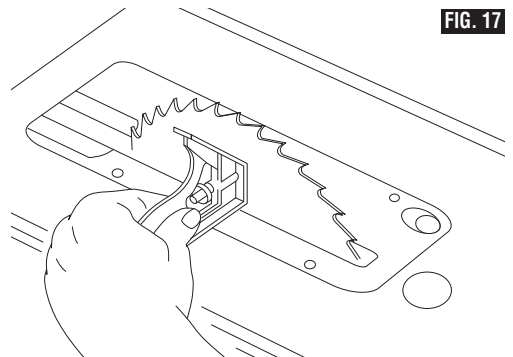


FIG. 17

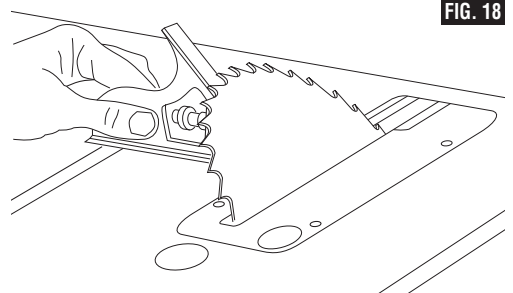


FIG. 18

RÉGLAGE DU PARALLÉLISME DE LA LAME PAR RAPPORT AUX RAINURES DU GUIDE DE COUPE ANGULAIRE

Le parallélisme de la lame a été réglé en usine. Toutefois, dans le but d'assurer la précision de la coupe et de limiter les risques de rebond, il convient de vérifier le parallélisme. S'il s'avère nécessaire de le régler à nouveau, conformez-vous à suivre ci-dessous.

⚠ AVERTISSEMENT Pour éviter de subir des blessures, débranchez toujours le cordon d'alimentation avant de procéder à des réglages.

1. Tournez le volant de réglage de hauteur afin de lever la lame au maximum.
2. Choisissez une dent, à l'arrière de la lame, qui est orientée vers la gauche lorsqu'on la regarde de l'avant de la scie et faites-y une marque **1** au crayon (Fig. 19).
3. Placez le pied de l'équerre à combinaison contre le bord de la rainure du guide de coupe angulaire et faites glisser la partie mobile de l'équerre de façon à ce qu'elle touche la dent que vous venez de marquer.
4. Faites tourner la lame à main et vérifiez la position de cette même dent à l'avant de la table (Fig. 19).
5. Si les mesures prises à l'avant et à l'arrière (voir figure 19) ne sont pas identiques, desserrez les 4 boulons d'alignement **2** qui se situent sous la table à l'avant et à l'arrière de la scie. Utilisez la clé hexagonale fournie avec votre scie (Fig. 20 et 21). Déplacez la lame avec précaution jusqu'à ce qu'elle soit parallèle à la rainure du guide de coupe angulaire. Resserrez alors fermement les quatre boulons.

FIG. 19

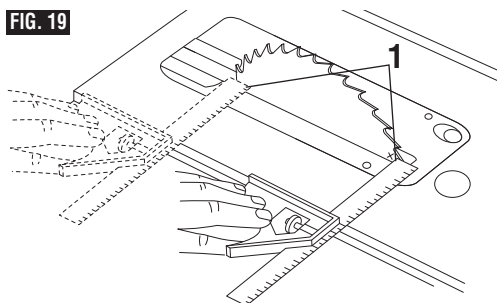
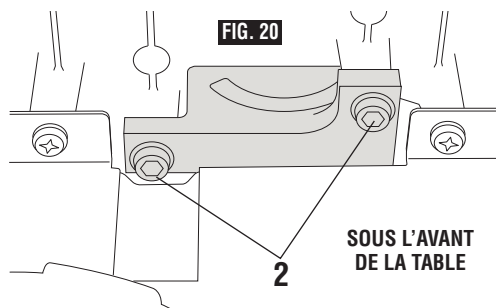
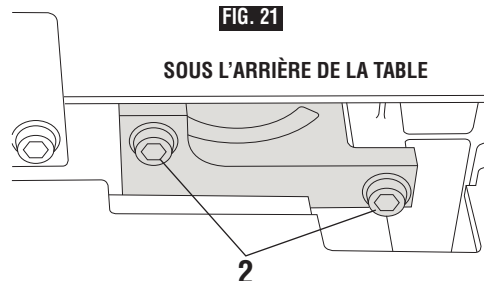


FIG. 20



SOUS L'AVANT DE LA TABLE

FIG. 21



SOUS L'ARRIÈRE DE LA TABLE

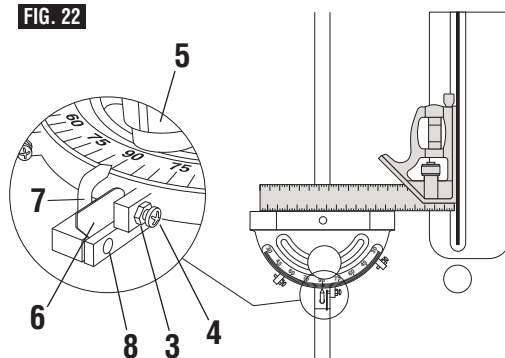
RÉGLAGE DU GUIDE DE COUPE ANGULAIRE

Pour vérifier la précision de votre guide de coupe angulaire, déplacez le guide de coupe angulaire en ligne avec la lame et utilisez une équerre à combinaison pour vous assurer que le corps du guide de coupe angulaire est à 90 degrés par rapport à la lame (Fig. 22).

Pour régler le guide de coupe angulaire à 90 degrés :

1. Desserrez le contre-écrou **3**, l'écrou de réglage **4** et le bouton de verrouillage **5**.
2. Faites basculer la plaque **6** vers le bas.
3. Tournez le corps du guide de coupe angulaire jusqu'à ce qu'il soit à 90 degrés par rapport à la lame.
4. Serrez le bouton de verrouillage **5**.
5. Faites basculer la plaque **6** vers le haut et serrez la vis de réglage **4** jusqu'à ce qu'elle entre en contact avec la plaque de butée **6**.
6. Serrez le contre-écrou **3**.
7. Si l'indicateur **7** ne montre pas une lecture de 90 degrés, desserrez la vis de serrage **8** sur le côté de la barre de guide de coupe angulaire et tournez l'indicateur **7** jusqu'à la marque 90 degrés. Serrez la vis de serrage **8**.
8. Pour régler le guide de coupe angulaire sur 45 degrés à gauche et à droite, recommencez les étapes 1-6, mais utilisez des butées à 45 degrés.

FIG. 22



ALIGNEMENT DU GUIDE DE REFENTE

⚠ AVERTISSEMENT Pour éviter de subir des blessures, débranchez toujours le cordon d'alimentation avant de procéder à des réglages. Le guide de refente doit être parallèle à la LAME afin de prévenir les REBONDS lors des opérations de coupe en long.

Votre scie est équipée d'un guide de refente à auto-alignement de réglage rapide. Une fois les réglages ci-dessous sont effectués, le guide d'alignera automatiquement au moment de son verrouillage en position.

Remarque : La lame doit être parallèle aux rainures du guide de coupe angulaire et perpendiculaire à la table avant de tenter d'aligner le guide de refente.

⚠ AVERTISSEMENT Pour éviter toute blessure corporelle, assurez-vous toujours que le guide de refente est verrouillé avant de refendre une pièce.

1. Soulevez les deux barrières de protection **2** pour les mettre dans leur position haute verrouillée.
2. Soulevez la poignée de verrouillage **1** et le guide à glissière **3** jusqu'à ce qu'il soit placé le long de la lame de la scie, en soulevant le cliquet du côté droit **4** au-dessus du guide (Fig. 23).

Le guide doit être en contact avec les dents de la lame à l'avant et à l'arrière de la lame. Si le guide n'est pas en contact avec les dents à l'avant et à l'arrière de la lame, suivez la procédure décrite ci-dessous :

3. Desserrez les deux vis **5** situées à la partie supérieure avant du guide de refente.
4. Déplacez le guide **3** jusqu'à ce qu'il touche les dents et qu'il soit parallèle à la lame.
5. Tenez le guide en place et abaissez la poignée de verrouillage. Vérifiez que le guide n'a pas bougé, puis resserrez les vis (Fig. 23).
6. Bloquez le guide de refente pour vérifier qu'il est bien tenu à l'avant comme à l'arrière. Si il n'est pas correctement tenu à l'arrière, débloquez le guide et tournez la vis de réglage du blocage arrière **6** en sens horaire pour augmenter la force de serrage. Essayez à nouveau de bloquer le guide pour vérifier qu'il s'auto-aligne et qu'il est bien tenu à l'avant comme à l'arrière. Si la vis de réglage du blocage arrière **6** est trop serrée, le guide ne pourra pas s'auto-aligner (Fig. 23).

RÉGLAGE DE L'INDICATEUR DU GUIDE DE REFENTE

La distance entre le corps du guide de refente et la lame lors d'une coupe de refente du côté droit de la lame est déterminée en alignant l'indicateur **7** avec la dimension désirée sur l'échelle **8** (Fig. 24).

POUR RÉGLER L'INDICATEUR DU GUIDE DE REFENTE :

1. Soulevez les deux barrières de protection **2** pour les mettre dans leur position haute verrouillée (Fig. 23).

2. Soulevez la poignée de verrouillage **1** et faites glisser le guide **3** jusqu'à ce qu'il soit placé le long de la lame de la scie, en soulevant le cliquet latéral droit **4** au-dessus du guide (Fig. 23).
3. Desserrez la vis de réglage de l'indicateur **9**, réglez l'indicateur **7** sur le repère « 0 » de l'échelle inférieure **8**, puis resserrez la vis **9** (Fig. 24).

FIG. 23

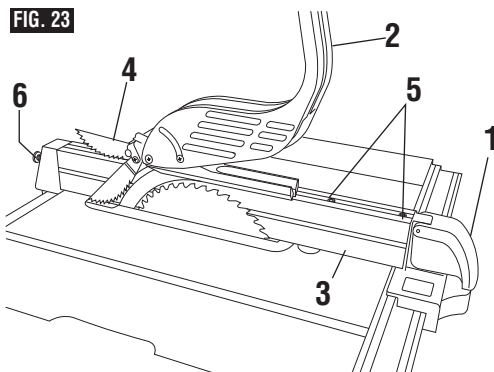
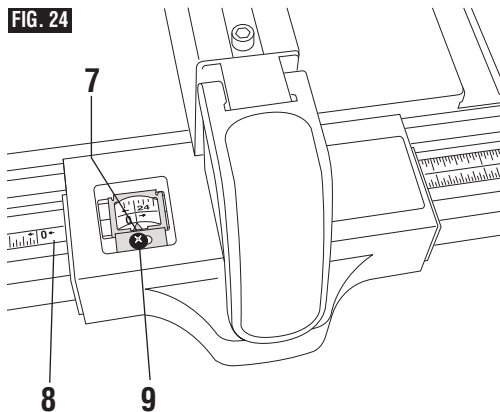


FIG. 24



RÉGLAGE DE L'INDICATEUR DE LA TABLE

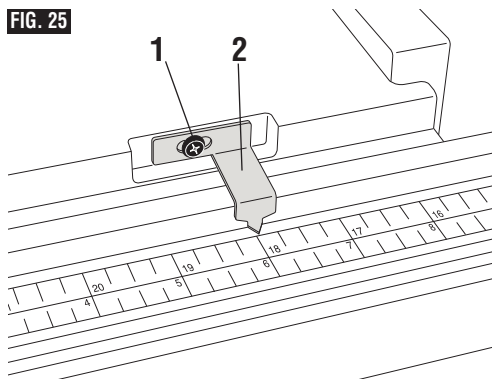
S'il est nécessaire de régler l'indicateur de la table, desserrez la vis de réglage de l'indicateur 1, réglez l'indicateur 2 et resserrez la vis 1 (Fig. 25).

L'indicateur de la table doit toujours être réglé par rapport à celui du guide.

1. Réglez l'indicateur du guide sur zéro.
2. Faites coulisser le guide jusqu'à ce qu'il touche la plaque de butée 7 située sur le rail avant et verrouillez-le à sa place.
3. Lisez la distance indiquée par l'indicateur du guide sur l'échelle inférieure (environ 13.5 po).
4. Réglez l'indicateur de la table 2 pour obtenir une lecture identique sur l'échelle supérieure. Les deux indicateurs doivent produire la même lecture quand le guide est dans cette position.

Exemple : si l'indicateur du guide montre 13 9/16 po, l'indicateur de la table devra lui aussi être réglé sur 13 9/16 po.

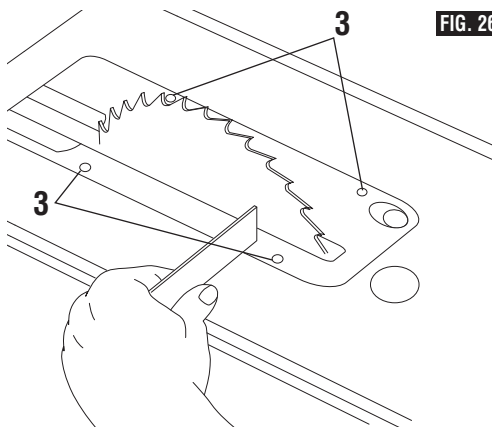
FIG. 25



RÉGLAGE DE L'ÉLÉMENT RAPPORTÉ DE LA TABLE

L'élément rapporté de la table comprend quatre (4) vis de réglage 3 servant à ajuster la hauteur (Fig. 26). Placez l'élément rapporté sur la table. Placez une règle (telle que la règle en métal d'une équerre à combinaison) à travers le dessus de la table et insérez le haut – les surfaces doivent être au même niveau. Si un réglage est nécessaire, utilisez un petit tournevis pour vis à fentes pour faire tourner chaque vis de serrage.

FIG. 26

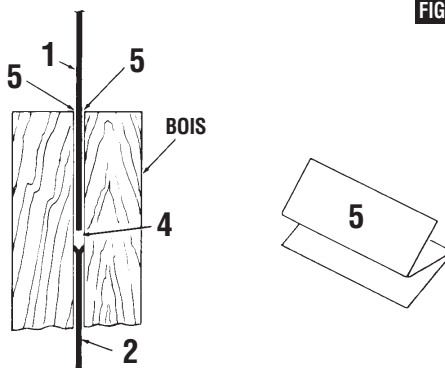


ALIGNEMENT DU COUTEAU DIVISEUR

IMPORTANT : le couteau diviseur 1 doit toujours être aligné avec la lame de scie 2. Le couteau diviseur 1 est plus fin que la largeur de la coupe 4 effectuée par la scie d'environ trois épaisseurs de papier 5 de chaque côté (Fig. 27). **Remarque :** la largeur de coupe correspond à la voie ouverte dans l'ouvrage par les dents de la lame de la scie.

⚠ AVERTISSEMENT Pour éviter tout risque de blessure, débranchez toujours l'outil de sa source d'alimentation électrique avant de faire de quelconques réglages et lorsque vous attachez ou détachez le système Smart Guard.

FIG. 27



VUE DE DESSUS

VÉRIFICATION DE L'ALIGNEMENT DU COUTEAU DIVISEUR

REMARQUE : le couteau diviseur a été aligné correctement à l'usine - vérifiez l'alignement avant de procéder à un quelconque réglage.

1. Élevez la lame de la scie à la hauteur maximum et réglez l'angle de biseau à 0°.
2. Retirez l'ensemble de barrière de protection et le dispositif de protection contre les chocs en retour.
3. Placez le guide de refente **3** du côté droit et faites-le glisser jusqu'à ce qu'il entre en contact avec les pointes de la lame de scie **2** - verrouillez le guide de refente.
4. Vérifiez l'alignement :
 - A. Depuis le dessus, regardez au-dessus du guide de refente et assurez-vous que le couteau diviseur est aligné (de l'avant vers l'arrière) avec la lame et est parallèle au guide de refente.
 - B. Faites glisser le guide de refente pour l'éloigner de la lame. Regardez au-dessus du devant de la lame et assurez-vous que le couteau diviseur est aligné avec la lame.
- C. Si l'étape A ou B révèle un alignement incorrect, effectuez un « Réglage du couteau diviseur ».

RÉGLAGE DU COUTEAU DIVISEUR

1. Élevez la lame de la scie **2** à la hauteur maximum et réglez l'angle de biseau à 0°.
2. Retirez l'ensemble de barrière de protection et le dispositif de protection contre les chocs en retour.
3. Retirez la pièce rapportée de la table.
4. Placez le guide de refente **3** du côté droit et faites-le glisser jusqu'à ce qu'il entre en contact avec les pointes de la lame de scie **2** - verrouillez le guide de refente.
5. Desserrez l'écrou hexagonal **6** avec une clé à fourche de 10 mm (Fig. 28). Desserrez légèrement les vis de serrage **8** (entre un quart de tour et un demi-tour) en utilisant une clé hexagonale de 5 mm fournie avec la scie à table (rangée du côté droit de la base). Desserrez la vis de pression **7** avec un tournevis à lame plate.
6. Faites deux plis dans une petite feuille de papier (de 6 po x 6 po) en formant trois couches (Fig. 27). Le papier **5** est utilisé comme « jauge d'espacement ».

REMARQUE : les instructions ci-dessus en ce qui concerne l'espacement sont basées sur l'emploi d'une lame à voie standard (voie de 0,128 po sur la lame Bosch incluse). Si une lame ayant une voie plus étroite est utilisée, ajustez l'entretoise en papier. Par exemple, si la voie de la lame de remplacement est proche de 0,100 po, utilisez une épaisseur de papier comme entretoise ; si la voie est proche de 0,110 po, utilisez deux épaisseurs de papier.

7. Insérez le papier plié **5** entre le couteau diviseur **1** et le guide de refente **3**.
 - A. Maintenez le couteau diviseur et le papier fermement appuyés contre le guide de refente (Fig. 28 & 29).
 - B. Serrez légèrement les vis de serrage **8**.

- C. Retirez le papier - faites glisser le guide de refente pour l'éloigner de la lame.
- D. Tournez lentement la vis de pression **7** tout en observant le couteau diviseur pendant qu'il s'incline jusqu'à ce qu'il soit aligné avec la lame.
- E. Vérifiez à nouveau que le couteau diviseur est d'équerre par rapport à la table en faisant glisser le guide de refente contre la lame. Changez le réglage si besoin est.
8. Après avoir réalisé tous les réglages :

- A. Serrez légèrement l'écrou hexagonal **6** (maintenez la vis de pression en place avec un tournevis pendant que vous serrez l'écrou).
- B. Serrez au maximum les vis de serrage **8** avec une clé hexagonale. Puis serrez au maximum l'écrou hexagonal.

REMARQUE : assurez-vous que le couteau diviseur est toujours aligné avec la lame lorsque la lame est inclinée à un angle quelconque. Remettez en place l'ensemble de barrière de protection et le dispositif de protection contre les chocs en retour avant de commencer à couper.

FIG. 28

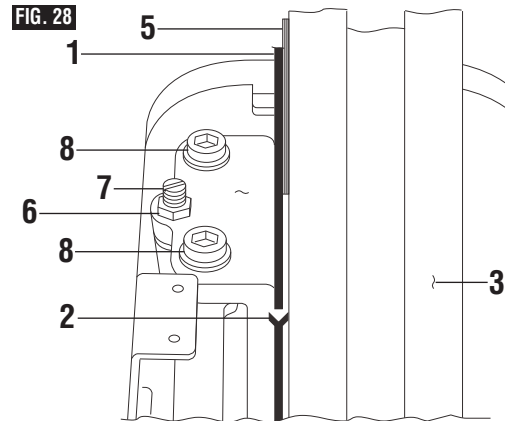
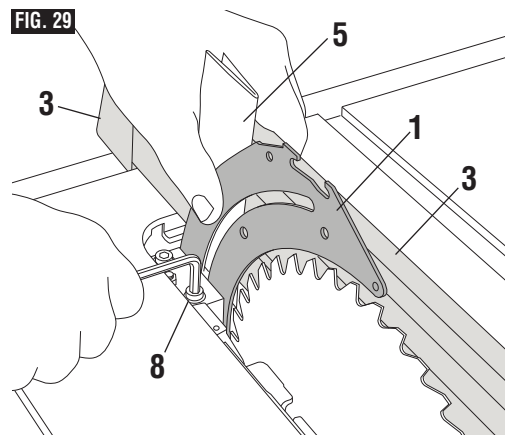


FIG. 29



Utilisation de la scie de table

INTERRUPTEUR DE SÛRETÉ

REMARQUE : Cette scie comporte un dispositif de sécurité qui contribue à prévenir les mises en marche accidentelles.

Pour démarrer la scie, levez l'interrupteur en pinçant ses parois latérales et en tirant vers le haut. Cette action démarre la scie (Fig. 30).

Pour arrêter la scie, poussez le levier de l'interrupteur vers le bas pour le remettre à sa position initiale (Fig. 31).

Il est possible de verrouiller l'interrupteur à l'aide d'un cadenas doté d'une longue anse de 3/16 po de diamètre (non fourni avec la scie), afin d'empêcher toute utilisation non autorisée (Fig. 31).

SYSTÈME SMART GUARD

Le système Smart Guard de Bosch a été conçu de façon modulaire, afin de permettre l'utilisation de multiples combinaisons des trois composants principaux du système – les barrières de protection principales, le dispositif de protection contre les chocs en retour et le couteau diviseur. De plus, le couteau diviseur peut être ajusté rapidement dans trois positions (haut, intermédiaire et rangé), en fonction des besoins de l'application.

Composants (Figure 32) :

1 Couteau diviseur

Le couteau diviseur est l'élément central du système de protection de la lame Smart Guard de Bosch. Il sert de point de fixation à la fois pour la barrière de sécurité principale et pour le dispositif de protection contre les chocs en retour. Au cas où la barrière de sécurité principale et le dispositif de protection contre les chocs en retour seraient retirés, le couteau diviseur maintiendrait sa fonctionnalité pour fendre des matériaux, et il peut être réglé dans trois positions. En raison de cette souplesse, le couteau diviseur peut être positionné de façon appropriée pour toutes les applications de coupe.

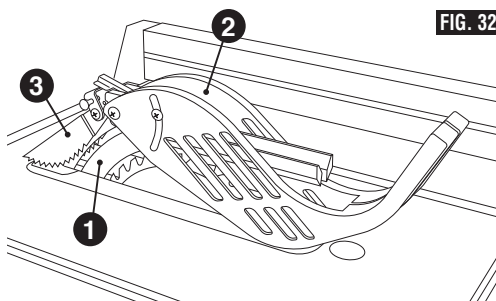
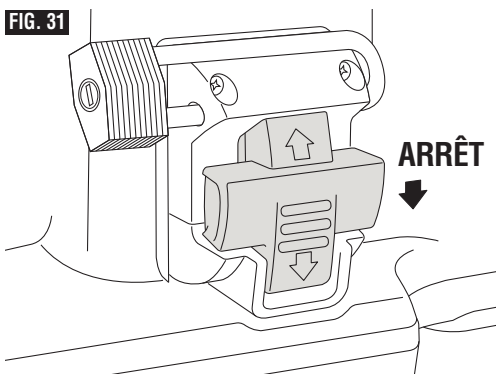
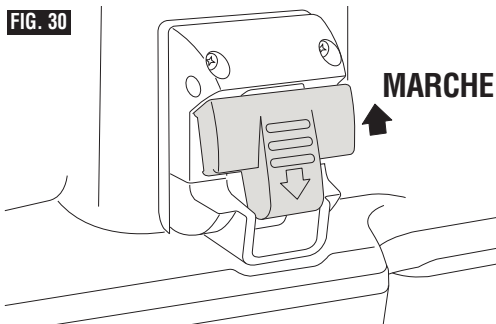
2 Barrière de sécurité principale

La barrière de sécurité principale se compose qu'une paire de barrières en plastique attachées à la barrière de sécurité supérieure en métal. Les barrières latérales (une à gauche et une à droite de la lame) fonctionnent indépendamment l'une de l'autre, ce qui permet d'assurer une couverture maximum de la lame pendant les opérations de coupe. La barrière principale incorpore un point de fixation à connexion rapide et peut être attachée ou retirée du système protège-lame indépendamment du dispositif de protection contre les chocs en retour et du couteau diviseur.

Remarque : pour assujettir le mieux possible la barrière de sécurité principale pendant les transports, mettez la lame dans sa position la plus basse. Ceci maintient la barrière serrée contre la surface de la table et empêche tout risque de dommage pouvant être causé par le jeu de la barrière pendant le transport.

3 Dispositif de protection contre les chocs en retour

En cas de choc en retour, le dispositif de protection contre les chocs en retour (également connu sous le nom de



griffes de serrage ou de cliquets) a pour objet d'aider à empêcher la projection de la planche dans la direction de l'opérateur. Le dents acérées des cliquets ont pour raison d'être d'« attraper » le matériau en cas de choc en retour.

MONTAGE/DÉMONTAGE

(voir les instructions détaillées à la page 26)

Les trois principaux composants du système de protection de la lame Smart Guard sont conçus pour pouvoir être montés, ajustés et/ou démontés rapidement, sans nécessiter l'emploi d'outils additionnels.

Le composant consistant en la barrière de sécurité principale peut être monté et démonté rapidement en utilisant simplement un levier de dégagement rapide. La barrière est attachée

en installant la barre transversale sur le haut du couteau diviseur et en engageant le levier de verrouillage. En suivant le même processus, mais inversé, on peut retirer facilement la barrière pour des opérations spéciales telles que des coupes de rainures ou de feuillures.

Le dispositif de protection contre les chocs en retour peut être attaché facilement en alignant la cheville de fixation avec l'orifice à l'arrière du couteau diviseur. Il peut être détaché facilement en appuyant sur les tampons de compression de l'un quelconque des côtés du dispositif de protection contre les chocs en retour et en le soulevant.

Le couteau diviseur peut facilement être ajusté à l'une des trois hauteurs en retirant l'élément rapporté de la table, en soulevant la lame à sa hauteur maximum et en relâchant le levier de relâchement du couteau diviseur à la base du couteau diviseur. Le couteau diviseur doit être verrouillé dans sa position la plus élevée pour pouvoir être utilisé conjointement avec la barrière de sécurité principale et le dispositif de protection contre les chocs en retour. Il peut être réglé sur sa position intermédiaire pour les coupes non traversantes et pour emploi afin de fendre des matériaux en l'absence de la barrière de sécurité principale et du dispositif de protection contre les chocs en retour.

Au cas où le couteau diviseur ne pourrait pas être utilisé pour une coupe particulière, il pourra être réglé sur sa position la plus basse, c. à d. qu'il serait placé à 1 po au-dessus de la surface de la table (lorsque la lame est dans sa position la plus élevée).

RANGEMENT DU SYSTÈME

Quand ils ne sont pas utilisés, la barrière de sécurité principale et le dispositif de protection contre les chocs en retour peuvent être rangés au-dessous de la rallonge de droite de la table.

⚠ AVERTISSEMENT

L'utilisation de tous les composants du système Smart Guard, y compris la barrière de sécurité principale, le dispositif de protection contre les chocs en retour et le couteau diviseur, est vivement recommandée afin de fournir une protection contre les risques d'accidents et de blessures.

1. Faites glisser l'ensemble de barrière de sécurité principale (sens dessus dessous) vers le haut et l'arrière pour faire entrer la barrière dans le côté arrière droit de la scie (Fig. 33).
2. Faites pivoter l'arrière de la barrière vers le haut et à l'intérieur du support de montage avant.
3. Verrouillez l'ensemble de barrière de sécurité principale en place de la même manière que vous l'attacheriez au couteau principal (Fig. 34).
4. Attachez le dispositif de protection contre les chocs en retour au support de suspension de la même manière qu'il s'attache au couteau diviseur.

RÉGLAGE DE L'INCLINAISON DE LA LAME

Desserrez la poignée de verrouillage de l'inclinaison 1 en sens anti-horaire (Fig. 35), faites coulisser le volant de réglage de hauteur 2 jusqu'à ce que l'indicateur 3 soit sur l'angle désiré et resserrez la poignée de verrouillage de l'inclinaison 1 en sens horaire.

RÉGLAGE DE LA RALLONGE DE TABLE

Pour rallonger la table, soulevez la poignée de verrouillage de la rallonge 4 et faites coulisser la rallonge de table 5 pour la mettre à la position désirée. Abaissez la poignée de verrouillage 4 pour bloquer le réglage.

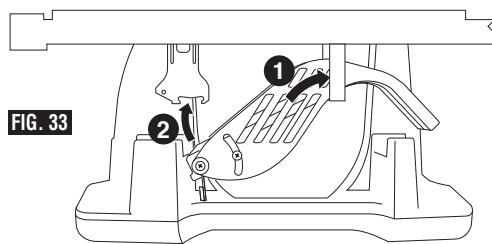


FIG. 33

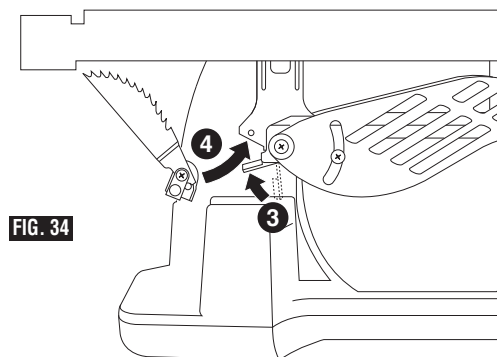


FIG. 34

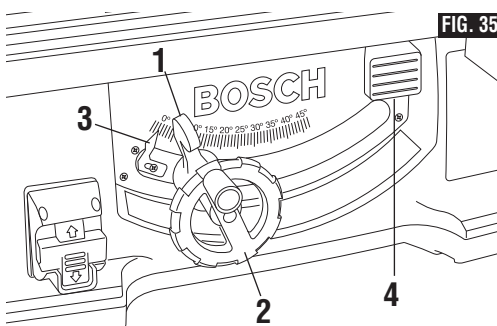


FIG. 35

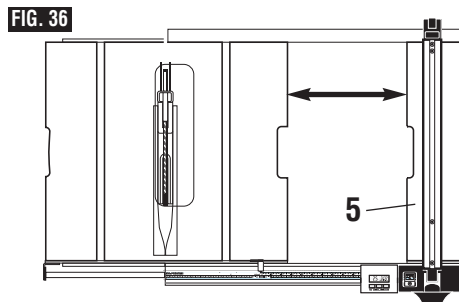


FIG. 36

CHARIOT NUMÉRIQUE BOSCH MODÈLE DC010 (sur le modèle de scie de table 4100DG-09)

Le chariot numérique Bosch modèle DC010 est un accessoire de mesure de précision qui est utilisé avec le guide de refente de la scie de table 4100. Le chariot numérique affichera de façon précise la distance entre la lame de la scie et le côté utile du guide avant que l'opérateur ne fasse une coupe longitudinale. L'affichage peut être réglé de façon à montrer des mesures en pouces (3 variations de modes) ou dans le système métrique. Les informations numériques affichées sur le chariot s'ajoutent aux mesures analogiques observées à l'endroit où l'indicateur du guide ou l'indicateur de la table montre l'échelle en pouces sur le rail avant de la scie de table. La scie de table 4100 peut être réglée à l'avance de façon à faire des coupes longitudinales sans utiliser le chariot numérique – voir pages 50 et 56.

Remarque : ce chariot numérique n'est utilisé que pour faire des coupes longitudinales et il doit être placé dans la « position de stationnement » la plus à gauche possible lorsque la scie est utilisée pour faire d'autres types de coupes.

CARACTÉRISTIQUES (voir Figures 37 & 38)

Bouton ON/OFF 2 : allume et éteint l'écran d'affichage.

Bouton UNITS 3 : fixe l'unité de mesure de l'écran d'affichage.

Bouton RESET 4 : remet l'écran d'affichage à une mesure zéro.

Bouton LCD 5 : affiche les mesures numériques et l'état des piles.

Aimants 6 : relient le chariot numérique au côté du guide 9 ou de la plaque de stationnement 10.

Couvercle du compartiment de la pile 7 : (non illustré) s'ouvre pour donner accès à la pile de 9 V.

Plaque du connecteur 8 : connecte le guide de refente de la scie 9 au chariot numérique 1.

Plaque de stationnement 10 : maintient en place le chariot numérique 1 quand il n'est pas utilisé.

INSTALLATION DE LA PILE DE 9 V (voir Figures 37 & 38)

Le chariot numérique contient une pile alcaline de 9 volts – retirez la pile de son emballage. Faites glisser le chariot numérique dans la « position de stationnement », à l'endroit où l'aimant de gauche 6 est en contact avec la plaque de stationnement 10. Positionnez la scie de table 4100 sur son côté et avec le chariot numérique posé sur la plaque de stationnement. Utilisez un tournevis pour desserrer la vis maintenant en place le couvercle du compartiment de la pile (non illustré) situé au fond. Retirez le couvercle – la vis desserrée doit rester attachée au couvercle. Tirez sur les fils du connecteur de la pile de 9 volts avec des extrémités à pression – raccordez le connecteur à la nouvelle pile en appuyant fermement sur le connecteur pour l'assujettir aux bornes de la pile. Mettez la pile dans son réceptacle et vissez le couvercle du compartiment de la pile pour le refermer.

Remarque 1 : le chariot numérique est conçu pour donner les meilleurs résultats quand il utilise une pile alcaline de 9 volts de qualité élevée.

Remarque 2 : lors de l'installation initiale d'une nouvelle pile, tous les segments graphiques de l'affichage ACL s'allumeront (test d'affichage) pendant une brève période (5 secondes), puis l'affichage passera au mode 1/16 INCH (mode par défaut). L'écran d'affichage peut être éteint en suivant les instructions avec le bouton ON/OFF ci-dessous ou simplement sans rien faire en attendant environ une minute pour qu'il s'éteigne automatiquement.

FIG. 37

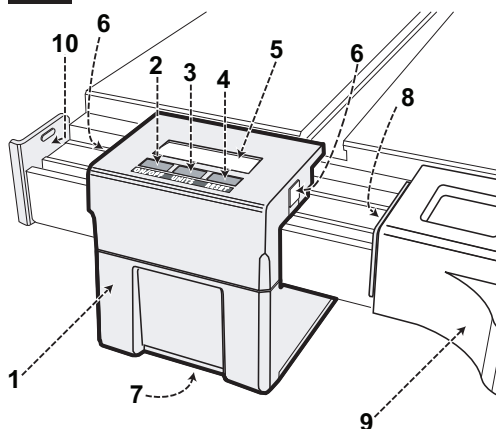


FIG. 38



TEST D'AFFICHAGE

BOUTONS DES COMMANDES ET AFFICHAGE

BOUTON ON/OFF (MARCHE/ARRÊT) ET MÉMOIRE (voir Figure 39)

ALLUMAGE DE L'ÉCRAN D'AFFICHAGE (ON) :

Appuyez fermement sur le bouton ON/OFF. Remarque : l'écran d'affichage du chariot numérique 5 conserve en mémoire le mode d'unité dans lequel il était avant d'être éteint. Quand il est allumé, l'écran d'affichage montre la dernière mesure affichée avant d'avoir été éteint. Cette mémoire est utile en raison de la fonction de fermeture automatique (voir plus bas) – lorsque le guide est laissé dans une certaine position et que l'utilisateur remet en marche le chariot numérique pour reprendre son utilisation là où il l'a laissé. Si l'utilisateur souhaite commencer un travail avec l'écran 5 affichant une mesure zéro, il devra utiliser le bouton de remise à zéro (RESET).

FERMETURE DE L'ÉCRAN D'AFFICHAGE (OFF) :

Appuyez fermement sur le bouton ON/OFF 2 et maintenez-le enfoncé. Pour éviter d'éteindre l'écran d'affichage par accident, il est nécessaire de maintenir le bouton enfoncé pendant 2 à 3 secondes. La mémoire du système se souviendra du dernier mode utilisé et de la mesure affichées lors de la fermeture de l'écran d'affichage.

FERMETURE AUTOMATIQUE

Il existe une fonction de fermeture automatique – sa raison d'être est de permettre de prolonger au maximum la durée de vie de la pile. En cas d'absence d'activité (ni déplacement du chariot numérique, ni activation d'un quelconque bouton de fonction) pendant à peu près une minute, l'écran d'affichage s'éteindra automatiquement.

REMARQUE: le chariot numérique se souviendra de la dernière mesure affichée avant la fermeture automatique – pour le remettre en marche, appuyez sur le bouton ON/OFF.

BOUTON UNITS (voir Figures 39 & 40)

Le chariot numérique affichera l'un des quatre modes de mesure suivants – chaque mode utilise une unité de mesure différente :

- 1) Mode **1/32 INCH** (fractionnaire) – pendant que le chariot se déplace, la valeur affichée augmente ou diminue de 1/32 po à la fois.
- 2) Mode **1/16 INCH** (fractionnaire) – pendant que le chariot se déplace, la valeur affichée augmente ou diminue de 1/16 po à la fois.
- 3) Mode **INCH** (décimal) – pendant que le chariot se déplace, la valeur affichée augmente ou diminue de 0,01 po (1/100e de pouce) à la fois.
- 4) Mode **MM** (décimal) – pendant que le chariot se déplace, la valeur affichée augmente ou diminue de 0,5 mm (1/2 millimètre) à la fois.

Chaque enfoncement du bouton **UNITS 3** fera passer l'écran d'affichage 5 d'un mode à un autre.

BOUTON RESET (voir Figures 39 & 40)

L'enfoncement du bouton RESET 4 remettra l'affichage à zéro – ce bouton est généralement utilisé pour réinitialiser l'écran pendant que le guide est contre la lame. Appuyez fermement sur le bouton RESET 4 et maintenez-le enfoncé afin de remettre à zéro l'écran d'affichage 5. Pour éviter de remettre l'écran d'affichage à zéro par accident, il est nécessaire de maintenir le bouton enfoncé pendant 2 à 3 secondes.

- 1) Mode **1/32 INCH** – l'écran affichera **0/32**.
- 2) Mode **1/16 INCH** – l'écran affichera **0/16**.
- 3) Mode **INCH** (décimal) – l'écran affichera **.00**.
- 4) Mode **MM** (décimal) – l'écran affichera **.0**.

Le mode d'affichage est contrôlé par le réglage du bouton UNITS.

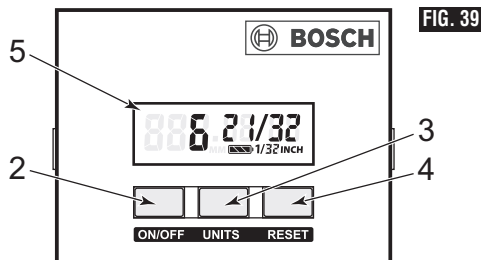


FIG. 39

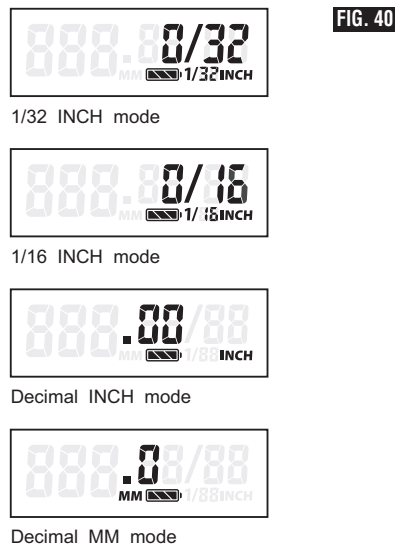


FIG. 40

REMISE À ZÉRO DE L'ÉCRAN D'AFFICHAGE (voir Figures 40 & 41)

La première fois que vous utilisez le chariot numérique, il est normalement nécessaire de faire glisser le guide contre la lame (avec le chariot numérique attaché) afin de remettre l'affichage à zéro – par la suite, tout mouvement du guide s'éloignant de la lame sera indiqué sur l'écran d'affichage du chariot.

PROCÉDURE DE REMISE À ZÉRO :

- 1) Connectez le guide au chariot numérique.
- 2) Soulevez la poignée de verrouillage du guide.
- 3) Soulevez le protège-lame latéral en plastique jusqu'à ce qu'il se bloque en position élevée en faisant un déclic – puis soulevez le cliquet du dispositif de protection contre les chocs en retour et maintenez-le en position élevée (faites attention – les dents sont acérées !)
- 4) Faites glisser le guide (avec le chariot) jusqu'à ce qu'il entre en contact avec la lame de scie surélevée, puis verrouillez la poignée du guide en bas.
- 5) Appuyez sur le bouton RESET jusqu'à ce que la valeur « 0 » soit affichée.
- 6) Déverrouillez la poignée du guide – déplacez le guide en l'éloignant de la lame, et abaissez le cliquet inférieur et le protège-lame latéral.

Arrêtez le mouvement du guide lorsque la valeur désirée aura été affichée – appuyez toujours sur la poignée de verrouillage du guide avant de commencer l'opération.

Remarque 1 : pour assurer le maximum de précision, le chariot doit être mis à zéro séparément pour chaque côté de la lame – si le chariot est réglé pour des coupes longitudinales à droite de la lame, et si l'utilisateur souhaite commencer à faire des coupes longitudinales à gauche de la lame, il faudra recommencer toute la procédure de remise à zéro.

Remarque 2 : le chariot numérique peut être remis à zéro quelle que soit la position du guide – ceci peut être utile quand on ajoute une valeur à une position prédéterminée, ou quand on en soustrait une valeur.

Exemple : (affichage réglé dans le mode 1/32 INCH) si le guide et le chariot numérique sont déplacés à l'endroit correspondant à l'affichage '6-3/32 inches' (ou n'importe quelle autre valeur positive) et si l'utilisateur souhaite déplacer le guide de cet endroit pour avoir 3/4 po de moins – l'utilisateur peut remettre l'écran à zéro afin qu'il affiche '0/32 inches' puis déplacer le guide vers la gauche jusqu'à ce que l'écran affiche '- 3/4 INCH' ; ou, si l'utilisateur souhaite déplacer le guide de cet endroit pour avoir 3/4 po de plus, il peut remettre l'écran à zéro afin qu'il affiche '0/32 inches' puis déplacer le guide vers la droite jusqu'à ce que l'écran affiche '- 3/4 INCH'. Cependant, pour le prochain nouveau réglage, l'utilisateur devra appuyer sur le bouton RESET et remettre l'affichage à zéro (avec le guide contre la lame).

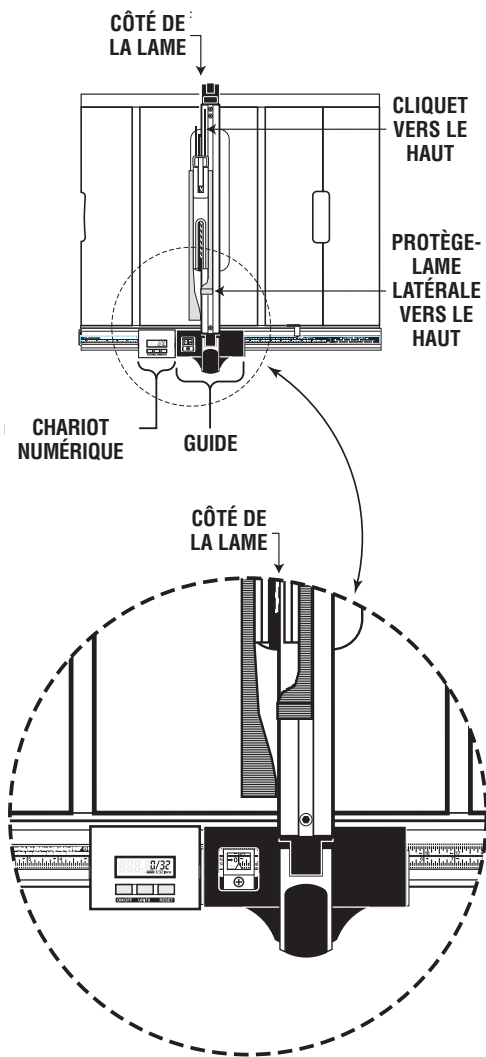
CHANGEMENTS DE L'AFFICHAGE – À DROITE DE « 0 »

Les valeurs affichées sur l'écran augmenteront lorsque le chariot se déplacera vers la droite de « 0 ».

CHANGEMENTS DE L'AFFICHAGE – À GAUCHE DE « 0 »

Les valeurs affichées sur l'écran augmenteront (et le signe négatif « - » apparaîtra) lorsque le chariot se déplacera vers la gauche de « 0 ».

FIG. 41



SIGNE NÉGATIF (voir Figure 42)

Le côté gauche de l'affichage inclut l'icône de signe négatif « - ». Chaque fois que le chariot numérique est déplacé vers la gauche de la valeur « 0 », le signe négatif (« - ») apparaît.

ICÔNE DE PILE (voir Figure 42)

L'écran d'affichage inclut une icône de pile pour indiquer l'état de charge de la pile. L'icône consiste en trois barres internes et une esquisse de contour.

ICÔNE – INDICATEUR

3 barres et le contour illuminés

2 barres et le contour illuminés

1 barre et le contour illuminés

Contour illuminé faiblement

Contour clignotant

ÉTAT DE CHARGE

CHARGE MAXIMUM

3/4 de la charge

1/2 de la charge

1/4 de la charge - « bas »

« Très bas » - REMPLACER

Voir les instructions sous la rubrique « Installation de la pile de 9 volts » ci-dessus.

CONNEXION DU CHARIOT NUMÉRIQUE AU GUIDE DE REFENTE (Voir Figure 37)

Le chariot numérique 1 peut être connecté magnétiquement à n'importe lequel des côtés du guide de refente 9 ou de la plaque de stationnement 10.

CONNEXION POUR DES COUPES LONGITUDINALES DU CÔTÉ DROIT :

Faites glisser le chariot numérique 1 vers le côté gauche de la lame – placez le guide 9 vers la droite de la lame et faites glisser le chariot numérique 1 jusqu'à ce que son aimant droit 6 soit en contact avec la plaque du connecteur gauche du guide 8. La connexion du chariot numérique du côté gauche du guide de refente augmente la capacité de coupe du côté droit de la scie.

CONNEXION POUR DES COUPES LONGITUDINALES DU CÔTÉ GAUCHE :

Faites glisser le chariot numérique 1 vers le côté droit de la lame – placez le guide 9 vers la gauche de la lame et faites glisser le chariot numérique 1 jusqu'à ce que son aimant droit 6 (non illustré) soit en contact avec la plaque du connecteur droit du guide 8 (non illustré). La connexion du chariot numérique du côté droit du guide de refente augmente la capacité de coupe du côté gauche de la scie.

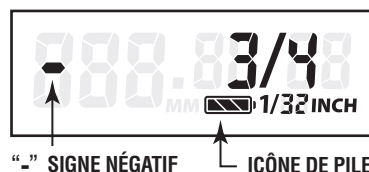
STATIONNEMENT DU CHARIOT NUMÉRIQUE :

Lorsque vous n'en avez pas besoin pour faire des coupes longitudinales, il est recommandé de mettre le chariot numérique 1 dans la « position de stationnement ». Faites glisser le chariot 1 jusqu'à l'extrémité de gauche de façon que son aimant 6 (non illustré) soit en contact avec la plaque de stationnement 10.

DÉCONNEXION DU GUIDE DU CHARIOT :

Relâchez la poignée de verrouillage du guide 11 et soulevez la partie avant du guide 9. La plaque du connecteur du guide 8 glissera facilement pour se séparer de l'aimant du chariot 6.

FIG. 42



RÉGLAGE DU GUIDE AVEC LE CHARIOT NUMÉRIQUE

Coupes longitudinales du côté droit de 0 po à 13 1/2 po (Fig. 43)

Connectez le guide au côté droit du chariot numérique. Si besoin est, suivez les instructions sous la rubrique de remise à zéro plus haut.

- 1) Tirez vers le haut pour relâcher la poignée de verrouillage du guide.
- 2) Déplacez le guide à distance de la lame.
- 3) Arrêtez le mouvement lorsque la valeur désirée sera affichée sur l'écran du chariot.
- 4) Appuyez sur la poignée de verrouillage du guide avant de commencer la coupe.

Suivez les procédures normales pour les coupes longitudinales – voir page 79.

Coupes longitudinales allongée du côté droit de 13 1/2 po à 25 po (Fig. 44)

Connectez le guide au côté droit du chariot numérique. Si besoin est, suivez les instructions sous la rubrique de remise à zéro plus haut.

- 1) Tirez vers le haut pour relâcher la poignée de verrouillage du guide.
- 2) Déplacez le guide à distance de la lame.
- 3) Arrêtez le mouvement lorsque le guide entre en contact avec la plaque de butée de droite du rail avant (à environ 13 1/2 pouces).
- 4) Appuyez sur la poignée de verrouillage du guide avant de commencer la coupe.
- 5) Soulevez la poignée de verrouillage de la rallonge de la table de la scie (au-dessous du rail avant) pour la déverrouiller.
- 6) Continuez à déplacer le guide verrouillé et la rallonge de la table vers la droite jusqu'à ce que la valeur de réglage désirée soit affichée sur l'écran du chariot (le maximum est de 25 po).
- 7) Appuyez sur la poignée de verrouillage de la rallonge de la table pour la verrouiller.

Suivez les procédures normales pour les coupes longitudinales – voir page 79.

Coupes longitudinales du côté gauche (Fig. 45)

Connectez le guide au côté gauche du chariot numérique. Si besoin est, suivez les instructions de la rubrique de remise à zéro plus haut.

- 1) Tirez vers le haut pour relâcher la poignée de verrouillage du guide.
- 2) Déplacez le guide à distance de la lame.
- 3) Arrêtez le mouvement lorsque la valeur désirée est affichée sur le chariot – tout mouvement vers la gauche de « 0 » fera apparaître le signe négatif (« - »).
- 4) Appuyez sur la poignée de verrouillage du guide avant de commencer la coupe.

Suivez les procédures normales pour les coupes longitudinales – voir page 79.

FIG. 43

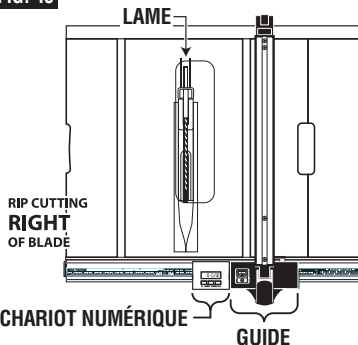


FIG. 44

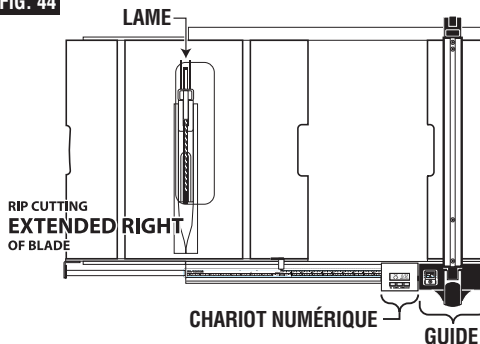
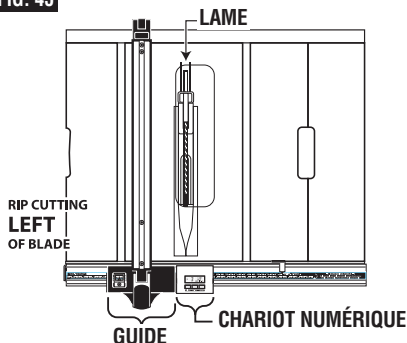


FIG. 45



COUPES LONGITUDINALES AU BISEAU - CÔTÉ DROIT SEULEMENT

Connectez le guide au côté gauche du chariot numérique. Si besoin est, suivez les instructions de la rubrique de remise à zéro plus haut (avec la lame réglé sur un biseau 0).

- 1) Tirez vers le haut pour relâcher la poignée de verrouillage du guide.
- 2) Déplacez le guide à distance de la lame.
- 3) Arrêtez le mouvement lorsque la valeur désirée est affichée sur le chariot.
- 4) Réglez l'angle de biseau désiré.
- 5) Appuyez sur la poignée de verrouillage du guide avant de commencer la coupe – le bord inférieur du matériau coupé sera égal à la distance montrée sur l'écran d'affichage.

⚠ AVERTISSEMENT il n'est pas recommandé de faire des coupes longitudinales au biseau à gauche de la lame car ceci pourrait contribuer à une situation causant un choc en retour. Le chariot numérique ne peut pas être réglé pour faire des coupes longitudinales précises avec le guide à gauche.

Suivez les procédures normales pour les coupes longitudinales – voir page 79.

ENTRETIEN DU CHARIOT NUMÉRIQUE POSITION DE STATIONNEMENT (voir Figure 46)

Lorsque vous faites des coupes qui ne nécessitent pas l'emploi du guide, le chariot numérique doit être mis en « position de stationnement ». Faites glisser le chariot numérique **1** jusqu'à l'extrémité gauche sur le rail avant de la scie, jusqu'à ce que l'aimant gauche **6** soit en contact avec la plaque de stationnement **10**.

Remarque : le chariot numérique doit toujours être dans la position de stationnement avant d'ouvrir le support pliant Gravity Rise avec la scie de table 4100.

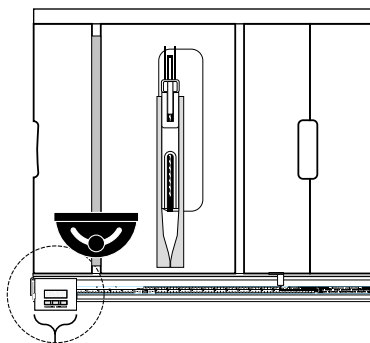
NETTOYAGE

SCIURE : pour permettre au chariot de continuer à se déplacer en douceur, retirez la sciure et les autres débris produits par la scie du chariot et du rail avant de la scie de table. Éteignez la scie et débranchez le cordon d'alimentation avant de commencer le nettoyage. Utilisez un chiffon doux ou une brosse non abrasive, ou un appareil à air comprimé réglé sur basse pression.

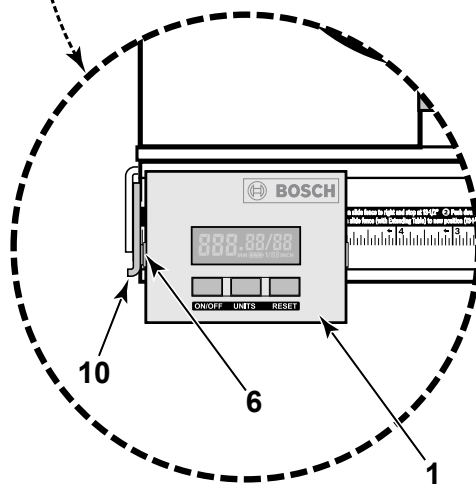
HUMIDITÉ : ne laissez pas le chariot numérique exposé à la pluie. S'il est nécessaire d'éliminer de l'humidité, débranchez la scie et essuyez le chariot avec un chiffon doux.

PRODUITS DE NETTOYAGE : n'utilisez pas de solvants de nettoyage, d'huile ou de lubrifiants sur le chariot numérique.

FIG. 46



CHARIOT NUMÉRIQUE POSITION DE STATIONNEMENT



REPÈRE DE SCIAGE

Vous permet de marquer et de localiser exactement l'endroit où la lame entrera en contact avec l'ouvrage.

Assurez-vous toujours que la scie de table est éteinte et débranchée.

Réglez la lame **1** à 90 degrés d'équerre par rapport à la table. En utilisant une règle et un crayon à mine douce, placez l'équerre **2** contre les deux côtés de la lame et marquez les lignes sur le localisateur **3** (Fig. 47). Ces lignes indiquent la « trajectoire » de la coupe (le trait de la scie) effectuée par la lame.

Lorsque vous coupez l'ouvrage, alignez la marque sur l'ouvrage avec la ligne sur le disque (Fig. 48).

UTILISATION DE L'INDICATEUR DU GUIDE DE REFENTE (SEULEMENT SI LA RALLONGE N'EST PAS SORTIE)

Le guide de refente indique la distance entre la lame et le guide par l'intermédiaire d'un hublot pratique muni d'une loupe.

Mettez l'indicateur du guide de refente **4** en face de la partie inférieure de l'échelle **5**. L'échelle inférieure peut être utilisée jusqu'à 13.5 pouces (Fig. 49).

UTILISATION DE L'INDICATEUR DE TABLE (SEULEMENT SI LA RALLONGE DE TABLE EST SORTIE À FOND)

La partie supérieure de l'échelle est utilisée pour refendre entre 13 et 24-1/2 po. Mettre l'indicateur de la table **7** en face de la partie supérieure de l'échelle **6** (Fig. 49).

POUR REFENDRE À PLUS DE 24-1/2 POUCHES SANS UTILISER D'ÉCHELLE GRADUÉE

Pour positionner le guide pour refendre à la largeur maximale sans utiliser l'échelle, desserrez la vis **8** et abaissez la plaque **9** au-dessous de la tête **10** du guide de refente **11** (Fig. 49). NE PAS refendre ou usiner de rainures ou de moulures avec le guide situé au-delà de cette position car il ne peut pas être verrouillé.

FIG. 47

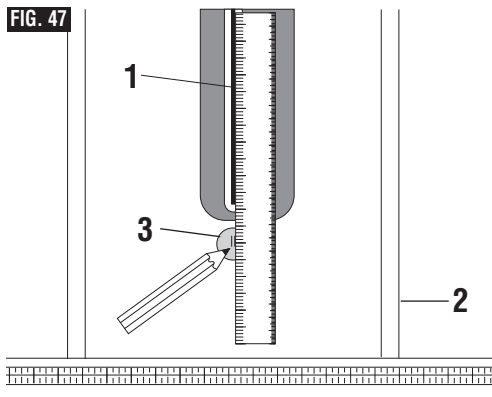


FIG. 48

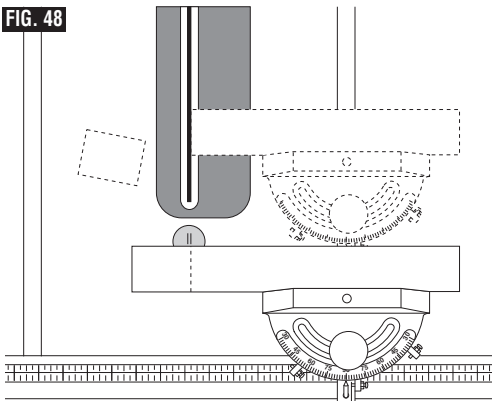
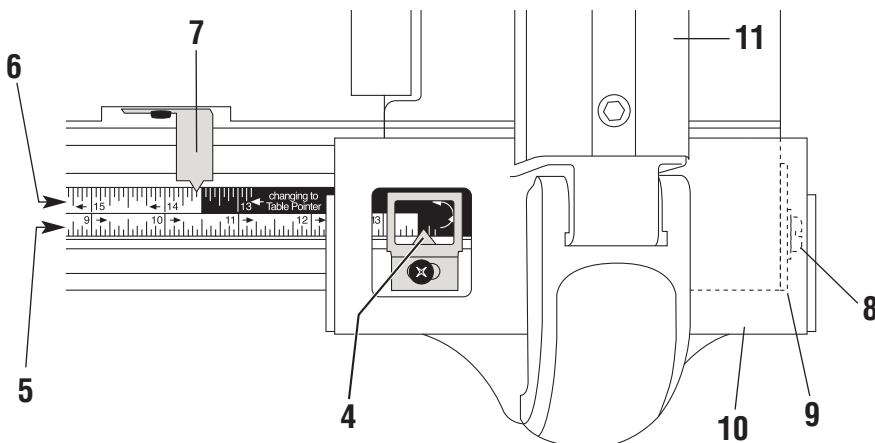


FIG. 49



ACCESSOIRES DE SCIAGE

Avant de commencer à vous servir de votre scie, commencez par lire attentivement l'ensemble du chapitre « Utilisation de la scie ».

Vous remarquerez que pour exécuter certains types de coupe, il est nécessaire d'avoir recours à certains accessoires de sciage tels que la baguette-poussoir, le plateau-poussoir et le guide de coupe auxiliaire, que vous pouvez fabriquer vous-même.

Après avoir effectué quelques coupes d'essai, fabriquez ces accessoires avant de vous lancer dans votre première réalisation. Fabriquez la baguette-poussoir en premier.

BAGUETTE-POUSOIR ET PLATEAU-POUSOIR

Fabriquez la baguette-poussoir **1** à l'aide d'un tasseau de 1 po x 2 po, comme illustré (Fig. 50).

Fabriquez le plateau-poussoir à partir de deux morceaux de contreplaqué de 3/8 po **3** et de contreplaqué de 3/4 po **4** (Fig. 51). Pour apprendre à utiliser correctement un plateau-poussoir, voir page 74.

Le petit morceau de bois, de 3/8 po x 3/8 po x 2 1/2 po, doit être COLLÉ au contreplaqué... NE LE CLOUEZ PAS car vous risqueriez d'émauser la lame de la scie au cas où en coupant vous entreriez accidentellement en contact avec le plateau-poussoir.

Positionnez la poignée au centre du contreplaqué et assujettissez-la en utilisant de la colle des vis à bois.

Utilisez une baguette-poussoir chaque fois que le guide est à deux pouces ou plus de la lame. Utilisez un plateau-poussoir lorsque vous n'avez pas assez de place pour utiliser un plateau-poussoir. Pour apprendre à l'utiliser correctement, voir page 74.

Utilisez soit une baguette-poussoir, soit un plateau-poussoir à la place de la main de l'utilisateur afin de guider le matériau seulement entre le guide et la lame.

Lorsque vous utilisez une baguette-poussoir ou un plateau-poussoir, l'extrémité arrière de la planche doit être carrée. Une baguette-poussoir ou un plateau-poussoir contre un bord de fuite inégal risquerait de glisser ou de pousser l'ouvrage à distance du guide.

GUIDE DE COUPE AUXILIAIRE

Fabriquez cet accessoire à l'aide d'une plaque de contre-plaqué **3** de 3/8 po et d'une baguette de bois dur **4** de 3/4 po. Assemblez-les avec de la colle et des vis à bois (Fig. 52).

REMARQUE : Étant donné que le plateau-poussoir **2** et le guide de coupe auxiliaire **5** seront utilisés conjointement, les cotes de 4 po 3/4 doivent être rigoureusement identiques sur les deux pièces.

FABRICATION D'UNE PLANCHE À LANGUETTES

La figure 53 présente les cotes nécessaires à la fabrication d'une planche à languettes type. Utilisez une planchette plane ne comportant ni noeuds, ni fentes.

Le trait de scie **5** doit être d'environ 1/4 po largeur (Fig. 53).

FIG. 50 EXTRÉMITÉ CONTACT AVEC L'OUVRAGE

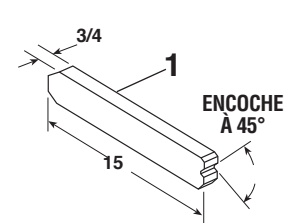
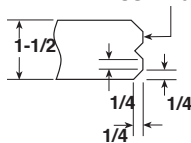
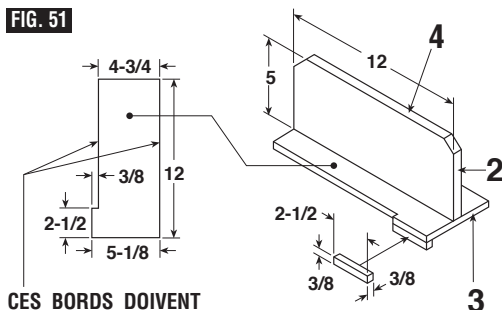
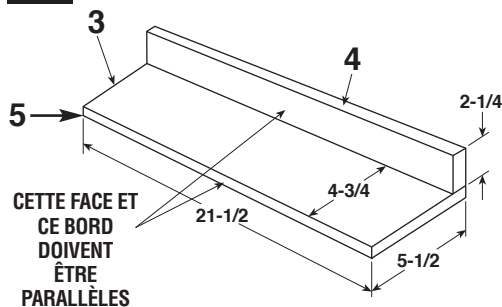


FIG. 51



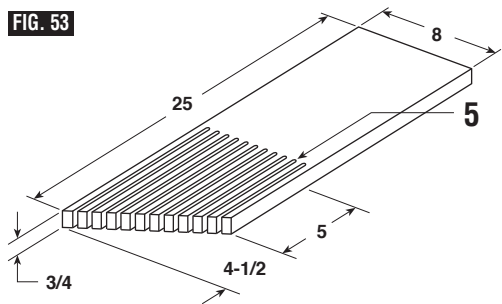
CES BORDS DOIVENT ÊTRE PARALLÈLES

FIG. 52



CETTE FACE ET CE BORD DOIVENT ÊTRE PARALLÈLES

FIG. 53



REMARQUE : Toutes les dimensions sont en pouces.

UTILISATION DU GUIDE DE COUPE ANGULAIRE

Le guide de coupe angulaire sert à exécuter les types de coupes suivantes : COUPES TRANSVERSALES, COUPES ANGULAIRES, COUPES EN BISEAU, COUPES ANGULAIRES BISEAUTÉES, ainsi que FEUILLURES sur les bords des petites pièces.

⚠ AVERTISSEMENT Pour votre sécurité, prenez toujours les précautions suivantes, et conformez-vous en outre aux consignes de sécurité énoncées aux pages 8, 9, 10 et 11.

N'exécutez jamais de telles coupes à main levée (c'est-à-dire sans vous servir du guide de coupe angulaire ou d'autres accessoires) : la lame pourrait se coincer dans l'ouvrage et provoquer un REBOND ou vous happer le doigt ou la main.

Verrouillez toujours bien le guide de coupe angulaire avant de vous en servir.

Retirez le guide de refente de la table avant toute opération faisant appel au guide de coupe angulaire.

Le guide de coupe angulaire comprend un disque avec une rainure en forme de « T » permettant une insertion facile dans la rainure de la table et un retrait encore plus rapide de la table (Fig. 54).

Lors d'une coupe transversale, et si la lame est réglée à un angle de 90° ou de 45° par rapport à la table, le guide de coupe angulaire peut être utilisé dans l'une quelconque des fentes sur la table. Lors d'une coupe transversale, et si la lame est inclinée, utilisez la fente du côté droit de la table, à l'endroit où la lame est inclinée dans la direction opposée à vos mains et au guide de coupe angulaire.

RÉGLAGE DU GUIDE DE COUPE ANGULAIRE

Desserrer le bouton de blocage **1** et réglez le corps du guide de coupe angulaire **2** de façon que l'indicateur **3** soit à l'angle voulu, puis serrez le bouton de blocage **1** (Fig. 54).

Le corps du guide de coupe angulaire **2** s'arrêtera à 90°, et à 45° à gauche comme à droite. Pour faire tourner le corps du guide de coupe angulaire **2** au-delà de ces points, il faut faire basculer la plaque de butée **4** pour qu'elle ne fasse pas obstacle.

GUIDE DE COUPE ANGULAIRE

Vous trouverez à la page 90 un gabarit de perçage pour percer des trous dans le guide de coupe angulaire afin d'y attacher un GUIDE AUXILIAIRE **5** permettant de mieux supporter les longues pièces. Choisissez une planche lisse et droite ayant les dimensions voulues, percez-y deux trous et fixez-la à l'aide de deux vis **6** (Fig. 55).

Exemple :

- Percez des trous de 1/4 po dans le guide de coupe angulaire.
- Percez des trous débouchants de 5/32 po (planche de 3/4 po d'épaisseur, 3 po de hauteur et de longueur voulue).
- Fixez la planche à l'aide de deux vis N° 12 à tête ronde de 1-1/2 po de long (repère **6**), non incluses (Fig. 55).

Assurez-vous que les vis ne dépassent jamais au-dessus de la surface externe de la planche de guidage auxiliaire.

Assurez-vous que la planche de guidage auxiliaire ne gêne pas le fonctionnement du protège-lame.

REMARQUE : Lorsque vous exécutez des coupes transversales biseautées, fixez le guide auxiliaire de façon à ce qu'il dépasse du côté droit du guide de coupe angulaire et installez ce dernier dans la rainure située à droite de la lame.

FIG. 54

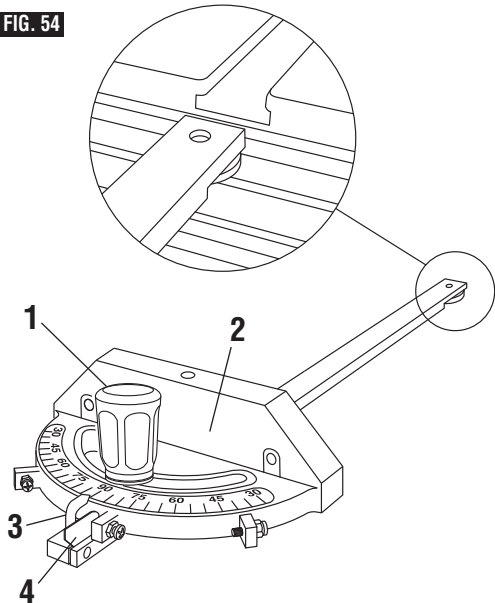
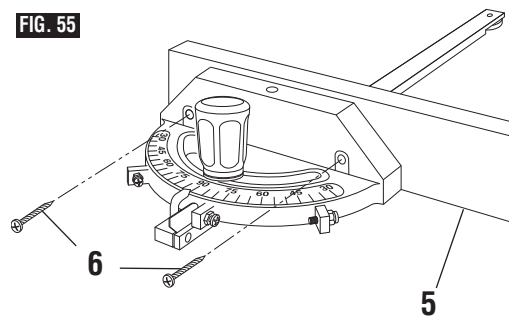


FIG. 55



COUPE TRANSVERSALE

Une coupe transversale est une coupe à 90° pratiquée à contre-fil, c'est-à-dire une coupe perpendiculaire aux deux bords et à la surface de la pièce. Elle se fait à l'aide du guide de coupe angulaire réglé à 90° (Fig. 56).

Veillez à ce que le protège-lame soit en place avant toute opération de coupe de part en part (ou coupe de bord à bord). Remettez le protège-lame en place IMMÉDIATEMENT après avoir achevé d'éventuelles rainures, moulures ou feuillures.

Réglez la lame de façon à ce qu'elle ne dépasse pas de plus d'1/8 po environ la face supérieure de l'ouvrage. Si la partie exposée de la lame était supérieure de 1/8 po, cela accroîtrait les risques liés à l'utilisation de la scie.

Ne vous tenez pas directement en face de l'axe de coupe de la lame, en raison des risques de projection dans cette direction, par l'arrière de la lame, de fragments de matériau venant d'être découpé. Tenez-vous d'un côté ou de l'autre de la lame.

Gardez les mains à bonne distance de la lame et de son axe de coupe.

Si la lame se coince ou s'immobilise lors de la coupe, mettez l'interrupteur en position « ARRÊT » avant d'entreprendre de la dégager.

Ne tendez jamais le bras par-dessus la lame pour tirer l'ouvrage hors de la lame, soutenir des pièces longues ou lourdes, ou retirer des fragments venant d'être découpés. NI POUR AUCUNE AUTRE RAISON.

Ne ramassez pas, sur la table, les fragments de matériau venant d'être découpés. Faites-les TOMBER de la table en les poussant à l'aide d'un long bâton. Ils risqueraient sinon d'être projetés dans votre direction par l'arrière de la lame.

N'enlevez pas les petites pièces du matériau coupé qui peuvent SE LOGER à l'intérieur du protecteur de lame pendant que la scie est EN MARCHE. CECI POURRAIT METTRE VOS MAINS EN DANGER ou causer un REBOND. Mettez l'interrupteur en position « ARRÊT ». Une fois que la lame s'est immobilisée, relevez le protège-lame et dégagez le morceau de bois.

Si l'ouvrage est voilé, posez-le sur la scie face CONCAVE vers le BAS. Ainsi, il n'oscillera pas pendant la coupe.

L'échelle graduée du guide de coupe angulaire assure une précision suffisante pour la plupart des travaux de menuiserie. Pour des travaux de très haute précision, par exemple une coupe angulaire, faites une coupe d'essai et vérifiez-en la précision à l'aide d'une équerre juste ou d'un rapporteur.

Si nécessaire, vous pouvez modifier très légèrement l'orientation du guide de coupe angulaire afin de corriger toute imprécision.

REMARQUE : Tout est fait, lors de la fabrication, pour réduire le plus possible le jeu entre le régleur du guide de coupe angulaire et les bords de la gorge dans laquelle il coulisse.

Pour une précision optimum, restez « fidèle » à l'un des bords de la gorge. Autrement dit, évitez de faire entrer alternativement le régleur en contact avec l'un puis l'autre bord de la gorge pendant la coupe; le régleur doit coulisser contre le même bord de la gorge tout au long de la coupe.

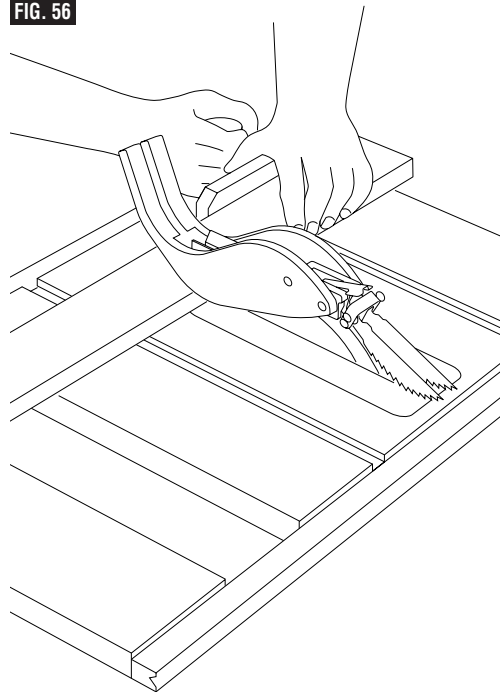
REMARQUE : Collez un morceau de papier de verre **1** sur la partie de la tête du guide qui doit entrer en contact avec l'ouvrage. Cela évitera à ce dernier de glisser pendant la coupe.

Le guide de coupe angulaire peut être utilisé dans n'importe laquelle des gorges de la table. Assurez-vous qu'il est bien verrouillé.

Lorsque vous vous servez du guide dans la gorge de GAUCHE, maintenez l'ouvrage fermement contre le guide avec votre main gauche et tenez la molette de verrouillage du guide de la main droite.

Lorsque vous vous servez du guide dans la gorge de DROITE, maintenez l'ouvrage fermement contre le guide avec votre main droite et tenez la molette de verrouillage de la main gauche.

FIG. 56



COUPE TRANSVERSALE RÉPÉTITIVE

Une COUPE TRANSVERSALE RÉPÉTITIVE est une coupe d'un certain nombre de pièces de la même longueur sans qu'il soit besoin de marquer chaque pièce. Lorsque vous faites des coupes répétitives sur un ouvrage très long, assurez-vous qu'il est bien soutenu – voir Fig. 58.

N'utilisez jamais le guide de refente comme butée longitudinale directe car la pièce coupée risquerait de se coincer entre le guide et la lame et causer ainsi un choc en retour.

Lorsque vous attachez le bloc d'appoint, assurez-vous que le bloc est bien devant la lame de la scie, parce que la pièce coupée risquerait de se coincer entre le guide et la lame et causer ainsi un choc en retour.

FABRICATION DU BLOC D'APPOINT

Le bloc d'appoint doit être fabriqué à partir d'un bois de 1 1/2 po d'épaisseur – la Figure 57 montre les dimensions pour la fabrication d'un bloc d'appoint.

PIÈCES REQUISES :

Planche de bois de 1 1/2 po d'épaisseur coupée à la taille désirée (1)

Vis mécaniques à tête hexagonale de 1/4 x 20 x 1 1/2 po de long (2)

Rondelles de 1/4 po (2)

Écrous mécaniques de 1/4 x 20 (2)

Le bloc d'appoint est fabriqué à la même hauteur (2 3/4 po) que le guide et peut être utilisé avec le système de protège-lame en place quand les pièces coupées ont une épaisseur de 1 1/2 po ou plus. Coupez la planche à la taille montrée, percez des trous de 9/32 po, puis fraisez chaque trou (jusqu'à 3/8 po) avec un embout foret de 3/4 po.

ASSEMBLAGE :

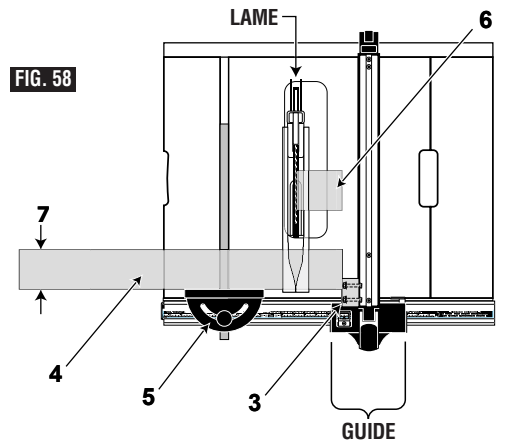
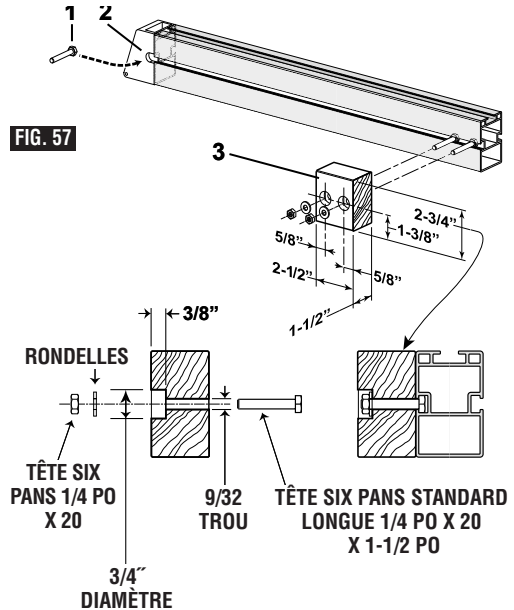
- 1) Placez la tête hexagonale 1 de chaque vis mécanique dans l'encastrement 2 dans le logement du guide arrière – faites glisser chaque vis vers l'avant, jusqu'aux endroits illustrés.
- 2) Placez le bloc d'appoint 3 au-dessus des vis.
- 3) Placez les rondelles au-dessus des filets de vis.
- 4) Enfilez et serrez les écrous autour des vis.

RÉALISATION DE LA COUPE TRANSVERSALE RÉPÉTITIVE

1. Lorsque vous faites de coupes répétitives, attachez solidement un bloc d'appoint en bois au guide comme illustré. La fente en forme de T dans le guide de refente permet d'effectuer cette fixation – voir Figure 58.
2. Faites glisser le guide (avec le bloc d'appoint) jusqu'à une position qui vous donne la longueur de planche que vous voulez répéter. Verrouillez le guide en place. Remarque : si vous utilisez l'échelle graduée sur le rail avant de la scie pendant le montage, déplacez le guide de 1 1/2 po de plus afin de tenir compte de l'épaisseur du bloc d'appoint.
3. Faites glisser l'ouvrage 4 le long du guide de coupe angulaire 5 jusqu'à ce qu'il soit en contact avec le bloc d'appoint 3. ... tenez-le solidement en place.
4. Faites une opération « à vide » (pour la pratique) – avec la scie débranchée, déplacez le guide de coupe angulaire et

l'ouvrage le long du bloc d'appoint jusqu'à ce qu'il soit en contact avec la lame immobile (la lame est réglée à 1/4 po plus haut que l'ouvrage). – Remarque : l'ouvrage DOIT être séparé du bloc AVANT d'entrer en contact avec la lame. La capacité de coupe transversale 7 pour ces coupes est de 6 1/4 po avec un ouvrage de 3/4 po ou de 5 1/2 po avec un ouvrage de 1 1/2 po. Si l'opération « à vide » est couronnée de succès, passez à l'étape suivante.

5. Attachez la scie à une source d'alimentation électrique – Mettez la scie en marche ... Réalisez la coupe ... Éteignez la scie ... Retirez la pièce coupée 6 après l'arrêt complet de la lame et avant de commencer à couper la pièce suivante.



COUPE ANGULAIRE

On appelle COUPE ANGULAIRE le découpage à un angle autre que 90° par rapport aux bords de la pièce. Suivez la même méthode que pour la coupe transversale (Fig. 59).

Réglez le guide de coupe angulaire selon l'angle voulu et verrouillez-le.

Le guide de coupe angulaire peut être utilisé dans n'importe laquelle des deux gorges de la table de coupe.

Lorsque vous vous servez du guide dans la gorge de GAUCHE, maintenez l'ouvrage fermement contre le guide avec votre main gauche et tenez la molette de verrouillage du guide de la main droite.

Lorsque vous vous servez du guide dans la gorge de DROITE, maintenez l'ouvrage fermement contre le guide avec votre main droite et tenez la molette de verrouillage de la main gauche.

COUPE TRANSVERSALE BISEAUTÉE

La COUPE TRANSVERSALE BISEAUTÉE est une coupe transversale dans laquelle la pièce est en outre coupée à un angle autre que 90° par rapport à ses faces (Fig. 60).

Réglez la lame selon l'angle voulu.

Servez-vous du guide de coupe angulaire placé dans la gorge située à DROITE de la lame.

COUPE ANGULAIRE BISEAUTÉE

La COUPE ANGULAIRE BISEAUTÉE, comme son nom l'indique, est la combinaison d'une coupe angulaire et d'une coupe en biseau. En d'autres termes, il s'agit d'une coupe à un angle autre que 90° par rapport aux bords de la pièce comme par rapport à ses faces (Fig. 60).

Réglez le guide de coupe angulaire et l'inclinaison de la lame et assurez-vous que le guide de coupe angulaire est bien verrouillé.

UTILISATION DU GUIDE DE REFENTE

Les COUPES EN LONG, COUPES EN LONG BISEAUTÉES, COUPES DE DÉDOUBLEMENT ET FEUILLURES se font à l'aide du GUIDE DE REFENTE et peuvent également nécessiter l'emploi d'un GUIDE DE COUPE AUXILIAIRE, d'un SUPPORT, d'une BAGUETTE-POUSSOIR ou d'un PLATEAU-POUSSOIR.

▲ AVERTISSEMENT

Pour votre sécurité, prenez toujours les précautions suivantes, et conformez-vous en outre aux consignes de sécurité énoncées aux pages 45, 46, 47, et 48.

1. N'exécutez jamais de telles coupes À MAIN LEVÉE (c'est-à-dire sans vous servir du guide de refente ou d'autres accessoires, le cas échéant) : la lame pourrait se coincer dans l'ouvrage et provoquer un REBOND.
2. Verrouillez toujours bien le guide de refente avant de vous en servir.
3. Retirez le guide de coupe angulaire de la table avant toute opération faisant appel au guide de refente.
4. Veillez à ce que le protège-lame soit en place avant toute opération de coupe de part en part. Remettez le protège-

lame en place IMMÉDIATEMENT après avoir achevé toutes coupes de dédoublement, feuillures, rainures ou moulures.

Assurez-vous fréquemment du bon fonctionnement des TAQUETS ANTI-REBOND en faisant glisser l'ouvrage le long du séparateur après avoir arrêté la scie.

Tirez l'ouvrage VERS vous. Si les TAQUETS ne MORDENT pas dans l'ouvrage et s'il ne le RETIENNENT pas, il faut les REMPLACER. Voir le chapitre « Entretien », à la page 84.

5. Réglez la lame de façon à ce qu'elle ne dépasse pas de plus d'1/8 po environ la face supérieure de l'ouvrage. Si la partie exposée de la lame était supérieure à 1/8 po, cela accroîtrait les risques liés à l'utilisation de la scie.

6. Ne vous tenez pas directement en face de l'axe de coupe de la lame, en raison des risques de REBOND. Tenez-vous d'un côté ou de l'autre de la lame.

FIG. 59

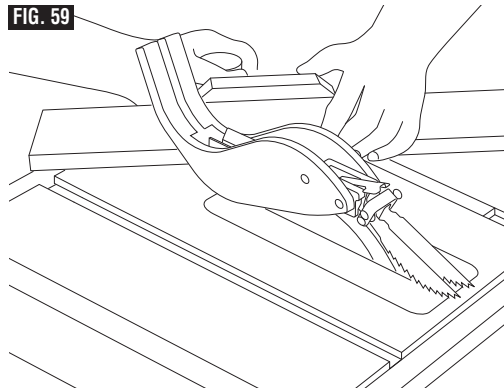
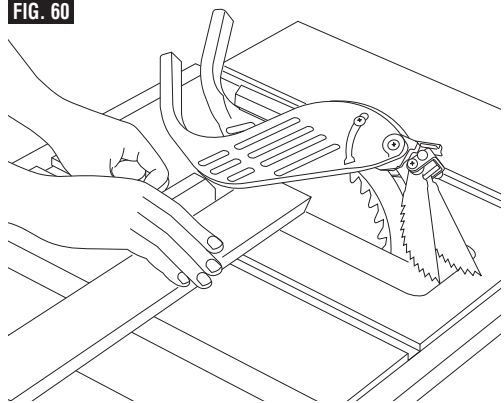


FIG. 60



7. Gardez les mains à bonne distance de la lame et de son axe de coupe.
8. Si la lame se coince ou s'immobilise lors de la coupe, mettez l'interrupteur en position « ARRÊT » avant d'entreprendre de dégager la lame.
9. Ne tendez jamais le bras par-dessus la lame pour tirer l'ouvrage hors de la lame, soutenir des pièces longues ou lourdes, ou retirer des fragments venant d'être découpés NI POUR AUCUNE AUTRE RAISON.
10. Ne ramassez pas, sur la table, les fragments de matériau venant d'être découpés. Faites-les TOMBER de la table en les poussant à l'aide d'un long bâton. Ils risqueraient sinon d'être projetés dans votre direction par l'arrière de la lame.
11. N'enlevez pas les petites pièces du matériau coupé qui peuvent SE LOGER à l'intérieur du protecteur de lame pendant que la scie est EN MARCHÉ. CECI POURRAIT METTRE VOS MAINS EN DANGER ou causer un REBOND. Mettez l'interrupteur en position « ARRÊT ». Une fois que la lame s'est immobilisée, relevez le protège-lame et dégagez le morceau de bois.
12. Si l'ouvrage est voilé, posez-le sur la scie face CONCAVE vers le BAS. Ainsi, il n'oscillera pas pendant la coupe.

PIÈCE D'APPOINT AUXILIAIRE POUR LE GUIDE DE REFENTE

Lorsque vous utilisez des accessoires tels que des fers pour des rainures ou des moulures, il faut également utiliser une planche d'appoint. Ceci contribuera à éviter d'endommager le guide en aluminium. La planche d'appoint doit consister en un morceau de bois de 3/4 po d'épaisseur – la Figure 61 montre des plans dimensionnels permettant de fabriquer une planche d'appoint compatible avec cette scie.

PIÈCES REQUISES :

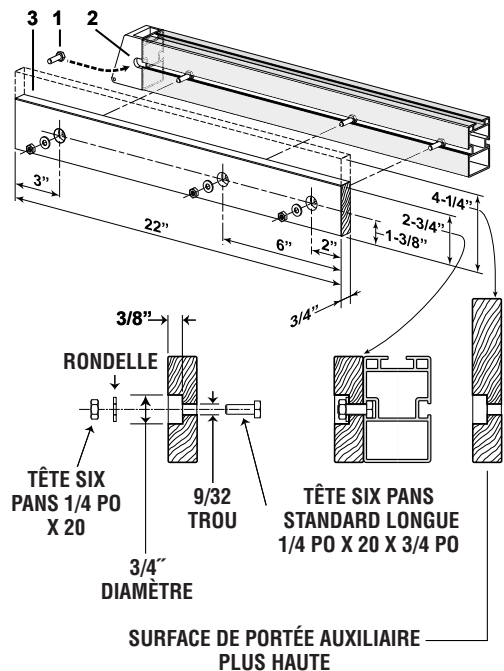
- Planche en bois de 3/4 po d'épaisseur (bois à l'état naturel ou contreplaqué) coupée à la taille voulue
- Trois (3) vis mécaniques à tête hexagonale de 1/4 x 20 x 3/4 po de long
- Trois (3) rondelles de 1/4 po
- Trois écrous mécaniques de 1/4 x 20

La planche d'appoint est fabriquée à la même hauteur (2 3/4 po) que le guide et peut être utilisée avec le système de protège-lame en place lorsque le guide est déplacé pour entrer en contact avec la lame. Le modèle de planche d'appoint plus haut (4 1/4 po) est facultatif, et il peut être utilisé pour cramponner d'autres accessoires. Coupez la planche à la taille illustrée, percez des trous de 9/32 po, puis fraisez chaque trou (jusqu'à 3/8 po) en utilisant un embout foret de 3/4 po.

Assemblage :

- 1) Placez la tête hexagonale **1** de chaque vis mécanique dans l'encastrement **2** dans le logement du guide arrière – puis faites glisser chaque vis vers l'avant jusqu'aux endroits illustrés.
- 2) Placez la planche d'appoint **3** au-dessus des vis.
- 3) Placez les rondelles au-dessus des filets de vis.
- 4) Enfillez et serrez les écrous autour des vis.

FIG. 61



COUPE EN LONG

La COUPE EN LONG est la coupe d'un morceau de bois dans le sens du fil, c'est-à-dire dans le sens de la longueur. Elle s'exécute à l'aide du guide de refente. Positionnez le guide en fonction de la LARGEUR DE REFEND (largeur de la pièce résultant de la coupe en long) désirée et verrouillez-la. Avant de commencer la coupe, assurez-vous que :

- A. le guide de refente est parallèle à la lame;
- B. le séparateur est bien aligné avec la lame;
- C. les taquets anti-rebond fonctionnent correctement.

Lorsque vous découpez de LONGUES PLANCHES ou des PANNEAUX DE GRANDES DIMENSIONS, soutenez-les toujours lorsqu'ils dépassent de la table de coupe (Fig. 62). Le kit de table-support arrière pour la scie de table Bosch est un accessoire qui convient de manière idéale à cette application.

COUPE EN LONG BISEAUTÉE

Lorsque vous faites des coupes en long biseautées sur des pièces larges de 6 po ou moins, servez-vous du guide de refente placé du côté droit de la lame UNIQUEMENT. Vous disposerez ainsi de plus de place entre le guide et la lame pour vous servir d'une baguette-poussoir. Si le guide était monté à gauche de la lame, le protège-lame pourrait vous empêcher d'utiliser la baguette-poussoir correctement.

Si la LARGEUR DE REFEND est de 6 po ou PLUS, servez-vous de votre main DROITE pour faire avancer l'ouvrage et guidez l'ouvrage de la main GAUCHE UNIQUEMENT. NE FAITES PAS AVANCER l'ouvrage de la main gauche (Fig. 62).

Si la LARGEUR DE REFEND se situe entre 2 po et 6 po, faites avancer l'ouvrage À L'AIDE DU PLATEAU-POUSOIR 1 (Fig. 63).

Si la LARGEUR DE REFEND est INFÉRIEURE à 2 po, il n'est pas possible de se servir de la baguette-poussoir à cause de la présence du protège-lame. SERVEZ-VOUS DU GUIDE DE COUPE AUXILIAIRE ET DU PLATEAU-POUSOIR.

Fixez le guide de coupe auxiliaire 2 au guide de refente à l'aide de deux serre-joints en C (Fig. 64).

Faites avancer l'ouvrage à la main jusqu'à ce que son extrémité arrière soit à environ 1 po du bord avant de la table. Continuez à faire avancer l'ouvrage à l'aide du PLATEAU-

POUSOIR 3, en faisant coulisser ce dernier sur le guide de coupe auxiliaire JUSQU'À CE QUE LA COUPE DOIT ACHÉVÉE (Fig. 65).

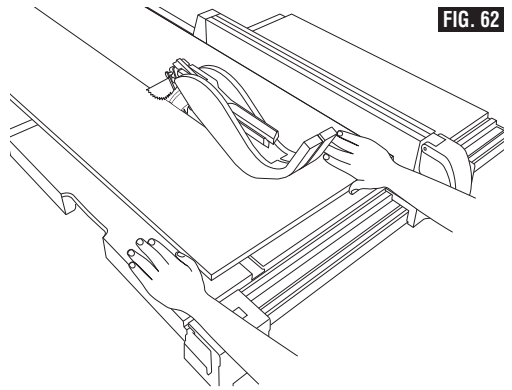


FIG. 62

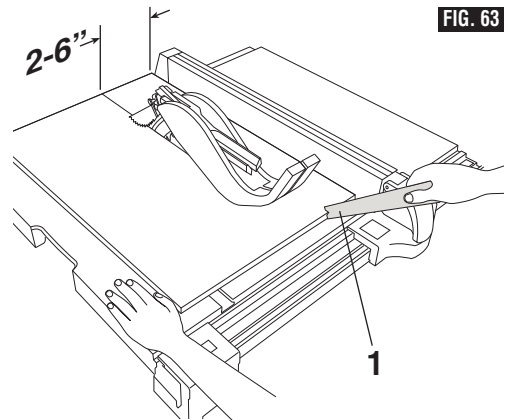


FIG. 63

FIG. 64

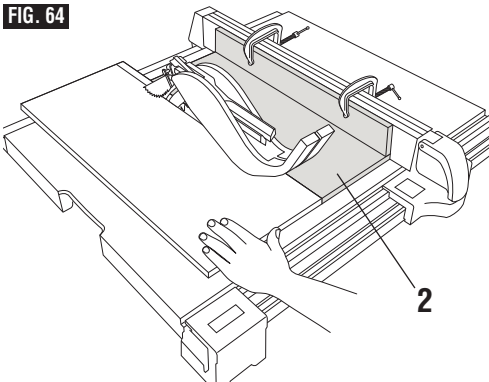
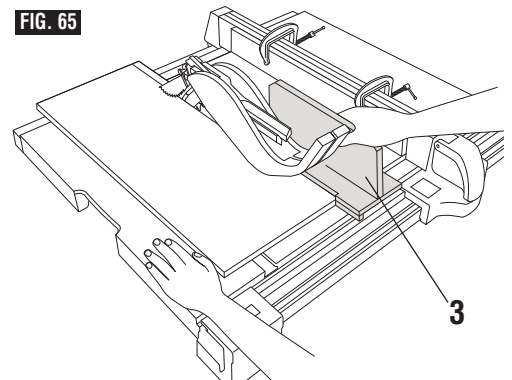


FIG. 65



COUPE PARTIELLE

Montez sur le guide de refente, sur toute sa longueur, une planche de 8 po de largeur (Fig. 66).

Servez-vous de planches à languettes pour toutes les opérations de coupe partielle (lorsqu'il faut enlever le protège-lame). Ces accessoires **1** servent à maintenir l'ouvrage en contact avec le guide et la table (voir illustration) et à prévenir les rebonds.

Fixez les planches à languettes **1** au guide et à la table suivant l'illustration, de façon à ce que les languettes maintiennent l'ouvrage pour toute la durée de la coupe, jusqu'à ce que vous ayez entièrement dégagé l'ouvrage de l'outil de coupe (lame, fer à rainurer, fer pour moulures, etc.) en le poussant à l'aide d'une baguette-poussoir **2**, comme dans le cas d'une coupe en long.

Avant de commencer à scier (mettez la scie à la position « ARRÊT » (OFF) et réglez la lame en-dessous du niveau de la table) :

- A. Montez les planches à languettes de façon à ce qu'elles exercent une pression sur l'ouvrage; soyez certain qu'elles sont solidement fixées.
- B. Assurez-vous, en faisant des essais, que les languettes préviendront tout rebond éventuel.

On ne se sert pas de planches à languettes pour les opérations de coupe partielle faisant appel au guide de coupe angulaire.

REMETTEZ LE PROTÈGE-LAME EN PLACE DÈS QUE L'OPÉRATION DE COUPE PARTIELLE EST TERMINÉE.

RÉALISATION DE FEUILLURES

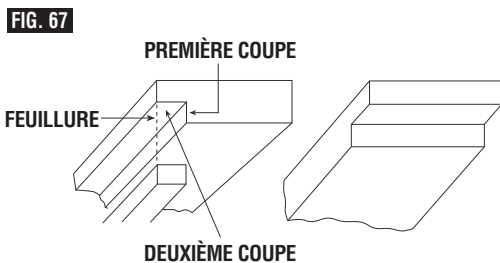
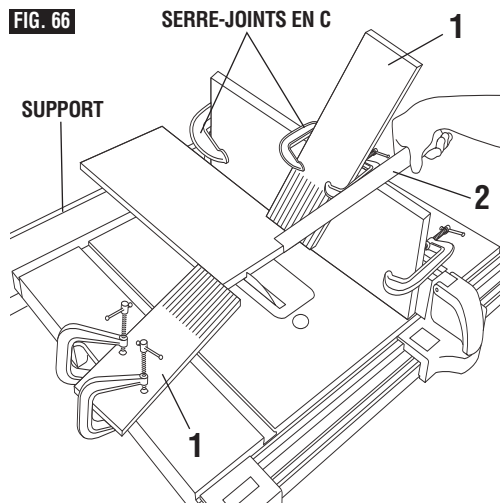
Une FEUILLURE est une rainure pratiquée le long du bord ou de l'extrémité d'une pièce (Fig. 67).

La réalisation d'une FEUILLURE nécessite l'exécution de coupes partielles. Le protège-lame doit donc être retiré.

1. Retirez le protège-lame.
2. Pour exécuter une feuillure le long d'un bord (sur le côté le plus long de l'ouvrage — voir illustration), montez sur le guide de refente une planche de largeur approchant celle de l'ouvrage. Réglez la position du guide de refente et de la lame, puis exécutez la première coupe, l'ouvrage étant placé à plat sur la table (voir fig. 66). Faites la deuxième coupe en positionnant l'ouvrage verticalement. Prenez toutes les précautions et suivez toutes les instructions et consignes de sécurité applicables aux opérations de coupe en long : servez-vous de planches à languettes, d'une baguette-poussoir, etc.
3. Pour exécuter une feuillure en travers d'une extrémité large de 10 po 1/2 au maximum, positionnez l'ouvrage à plat sur la table. En vous servant du guide de coupe angulaire sur lequel vous aurez fixé une planche de guidage, suivez les instructions relatives à la coupe transversale en faisant des coupes successives en travers de la largeur de l'ouvrage afin d'obtenir la profondeur désirée. NE VOUS SERVEZ PAS du guide de refente pour exécuter des feuillures d'extrémité.

4. REMETTEZ LE PROTÈGE-LAME EN PLACE IMMÉDIATEMENT APRÈS AVOIR TERMINÉ LES FEUILLURES.

On peut également réaliser des feuillures en une seule passe à l'aide d'un fer à rainurer ou d'un fer pour moulures.



RÉALISATION D'UNE FEUILLURE LE LONG D'UN BORD

RÉALISATION D'UNE FEUILLURE EN TRAVERS D'UNE EXTRÉMITÉ

COUTES DE RAINURES ET DE MOULURES

Des instructions concernant l'emploi de la scie avec des fers à rainurer et de moulures sont contenues dans le livret qui est fourni avec ces accessoires.

UTILISEZ TOUJOURS UNE PLAQUE AMOVIBLE APPROPRIÉE POUR UNE TABLE BOSCH ET DES RONDELLES INDICUÉES DANS LA LISTE DES ACCESSOIRES RECOMMANDÉS (voir page 85).

REMETTEZ TOUJOURS LES RONDELLES DE LAMES DANS LEURS POSITIONS INITIALES APRÈS AVOIR TERMINÉ UNE COUPE DE RAINURES OU DE MOULURES.

INSTALLATION D'UN ENSEMBLE DE LAMES À RAINURER

Un ensemble de lames à rainurer est un système accessoire qui est utilisé pour créer des rainures partielles ou faire des coupes à recouvrement sur des ouvrages. Ces outils sont utilisés couramment dans le cadre de la construction de meubles et d'armoires. Après que les ouvrages ont été rainurés correctement, ils peuvent être jointoyés de façon très serrée. La scie de table 4100 permet de réaliser des coupes de rainures d'une largeur pouvant atteindre 13/16 po en une seule passe.

⚠ AVERTISSEMENT pour réduire le risque de blessure, débranchez toujours la fiche de la prise de courant avant de changer des lames.

⚠ AVERTISSEMENT utilisez toujours la plaque amovible de table pour rainurage Bosch N° TS1007 (fourni avec une rondelle accessoire pour coupe de rainures). Ne faites jamais de coupes de rainures sans avoir installé cette plaque amovible. N'utilisez pas de lames de coupe à rainurer de plus de 8 po de diamètre. N'inclinez jamais de lames à rainurer à un angle de biseau autre que l'angle vertical de 0°. Suivez tous les avertissements et toutes les instructions montrés ici ainsi que ceux qui accompagnent votre ensemble de lames à rainurer. Le non-respect de ces avertissements pourrait causer des blessures corporelles graves.

⚠ AVERTISSEMENT pour réduire le risque de blessure, n'utilisez pas de lames à rainurer de plus de 8 pouces de diamètre. La scie n'est pas conçue pour accepter des outils de coupe de rainure de plus grande taille.

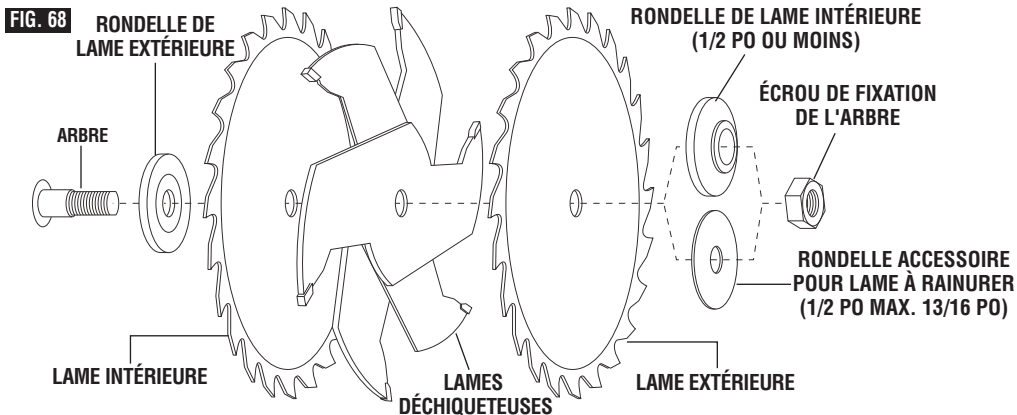
UTILISATION D'ENSEMBLES DE LAMES À RAINURER EMPILÉES

REMARQUE : ces instructions sont basées sur l'utilisation de lames à rainurer professionnelles Bosch de 8 po et de 6 po : modèles N° PRO824DADO, PRO840DADO et PRO624DADO. Elles s'appliquent aussi à la plupart des lames à rainurer empilées standard.

1. Débrancher la fiche de la prise de courant.
2. Retirez la barrière de sécurité et le dispositif de protection contre les chocs en retour (voir manuel, page 55 et 56). Abaissez le couteau diviseur et verrouillez-le dans sa position la plus basse.
3. Retirez la plaque amovible de table standard. Élevez la lame de scie à la hauteur maximum.
4. Retirez l'écrou de fixation de l'arbre, puis la rondelle extérieure, la lame de scie et la rondelle de lame intérieure (voir page 58). Remarque : les rondelles doivent être installés de façon différente pour les coupes de rainurage seulement (Fig. 69).
5. Installation d'une pile de lames à rainurer (Fig. 68)
 - A) Remettez la rondelle extérieure (plate) sur l'arbre. Pour une coupe de rainures, elle servira de rondelle intérieure.
 - B) Placez les composants désirés de l'ensemble de lames à rainurer sur l'arbre.
 - C) Placez la rondelle fournie du kit d'accessoires de lames à rainurer (P/N) sur le dessus de la pile de lames à rainurer.
 - D) Remettez l'écrou de fixation de l'arbre sur l'arbre, et serrez.
6. Placement des lames à rainurer et des lames déchiqueteuses : (voir Fig. 68)

- Pour des coupes de 1/4 po de large, placez les deux lames à rainurer extérieures (couteaux) sur l'arbre. Les deux lames à rainurer extérieures peuvent être différentes - lisez toutes les informations nécessaires sur les lames et les instructions du fabricant pour installer les lames correctement.

- Pour les coupes plus larges (jusqu'à 13/16 po au maximum), des lames déchiqueteuses et des entretoises peuvent être placées seulement entre les lames extérieures (couteaux).



⚠ AVERTISSEMENT pour réduire le risque de blessure, n'utilisez jamais une seule lame à rainurer pour une coupe normale traversant tout le matériau. N'utilisez jamais de lames déchiqueteuses sans les deux couteaux extérieurs installés. Lisez et suivez toutes les instructions et consignes de sécurité accompagnant l'ensemble de lames à rainurer.

REMARQUE : l'écrou de fixation de l'arbre doit être engagé complètement sur les filets de l'arbre. Si la largeur des lames empilées dépasse 1/2 po, n'utilisez pas la rondelle intérieure des scies de table. Au lieu de cela, utilisez la rondelle de rainurage accessoire. Avec cette scie, ne dépassez pas une largeur empilée de plus de 13/16 po.

7. Abaissez les lames au-dessous du dessus de la table et insérez la plaque amovible de table pour rainurage Bosch (TS1007) (Fig 70). Élevez les couteaux jusqu'à la profondeur de coupe désirée (au-dessus de la plaque amovible). Assurez-vous que l'outil n'est pas branché dans une prise de courant ; puis faites tourner les couteaux à la main en prenant toutes les précautions nécessaires pour vérifier que tous les composants sont solidement en place et qu'il n'existe pas d'interférences.

8. Branchez la scie dans une prise de courant. Utilisez des morceaux de bois résiduels pour pratiquer vos coupes de rainurage, et ajustez la hauteur en conséquence.

⚠ AVERTISSEMENT pour réduire le risque de blessure, ne faites jamais passer vos mains au-dessus des lames à rainurer. Les coupes de rainurage sont des coupes partielles (aveugles). À de nombreux moments, il n'est pas possible de voir les couteaux pendant la coupe. Voir les instructions sur le sciage partiel à la page 80.

⚠ AVERTISSEMENT pour réduire le risque de blessure, ne faites jamais de coupes à main levée. L'ouvrage doit être maintenu contre le guide de refente ou le guide coupe angulaire de la scie pendant qu'on le fait avancer dans la scie. Dans la mesure du possible, utilisez des baguettes-poussoirs et des plateaux-poussoirs pour faire des coupes longitudinales (voir page 79). Utilisez toujours des planches à languettes, attachées à la table ou au guide, pour faire des coupes longitudinales (voir page 79). Lors de coupes transversales, maintenez fermement l'ouvrage contre le guide de coupe angulaire (voir page 76).

REMARQUE : étant donné que les coupes de rainures sont des coupes partielles seulement, le guide de coupe angulaire peut être utilisé avec le guide de refente verrouillé en place. Ceci est utile quand vous faites des coupes transversales de rainurage répétées depuis les extrémités de plusieurs ouvrages. Chaque ouvrage est maintenu en place contre le guide de coupe angulaire et son extrémité glisse le long du guide de refente à une distance prédéterminée.

En fonction de la profondeur finale de la coupe et/ou de la densité du matériau, il peut être nécessaire de réaliser de multiples coupes en commençant par de faibles profondeurs de 1/4 po à 1/2 po, et en progressant jusqu'à la profondeur finale. En cas de réalisation de coupes de rainurage extensives répétées, in-

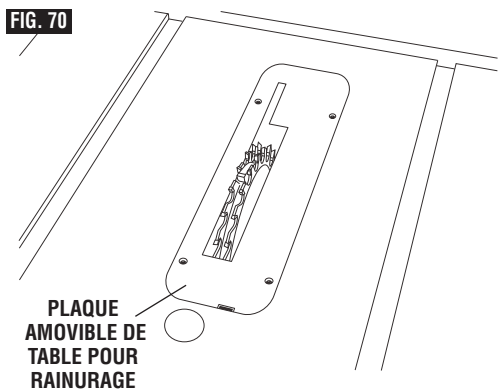
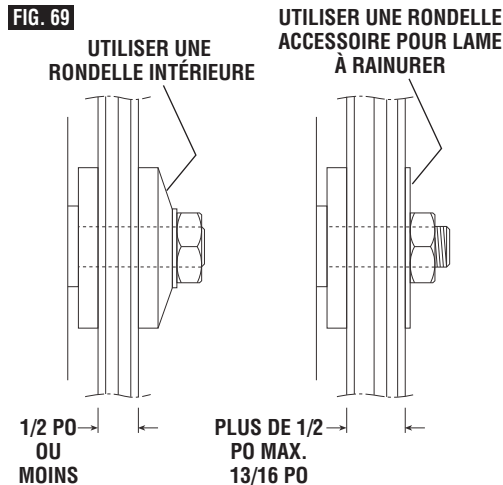
spectez périodiquement les ouvrages pour vérifier que la profondeur de coupe n'a pas changé.

REMISE DE LA SCIE EN ÉTAT POUR DES COUPES TRAVERSANT COMPLÈTEMENT UN OUVRAGE

Après avoir réalisé votre coupe de rainurage, n'oubliez pas de remettre les rondelles intérieures et extérieures dans leurs positions d'origine (voir les détails à la page 57). Il est important que les rondelles de l'équipement d'origine soient dans leurs positions correctes pour que la lame de scie puisse toujours s'aligner avec le couteau diviseur installé de façon permanente (Fig. 69).

ENSEMBLES DE LAMES À RAINURER RÉGLABLES OU OSCILLANTES

⚠ AVERTISSEMENT pour réduire le risque de blessure, n'utilisez pas d'ensembles de lames à rainurer réglables ou « oscillantes » sur cette scie. Les ensembles de lames à rainurer réglables peuvent être réglés facilement dans des positions qui peuvent affecter d'autres éléments de cette scie.



INSTALLATION D'UN ENSEMBLE DE LAMES À MOULURER

Un ensemble de lames à moulurer peut être utilisé pour ajouter divers bords décoratifs à une structure en bois. Ces bords sont fréquemment trouvés sur des meubles et des boiseries.

⚠ AVERTISSEMENT pour réduire le risque de blessure, débranchez toujours la fiche de la prise de courant avant de changer des lames.

⚠ AVERTISSEMENT pour réduire le risque de blessure, utilisez toujours la plaque amovible de table pour moulurage Bosch N° TS1009.

Ne réalisez jamais de coupes de moulures sans cette plaque amovible. N'utilisez pas d'ensembles de lames à moulurer de plus de 7 po de diamètre avec des couteaux de plus de 1 po de large. Ne réglez jamais d'outils à moulurer à un angle de biseau autre que l'angle vertical de 0°. Suivez tous les avertissements et toutes les instructions montrés ici ainsi que ceux qui accompagnent votre ensemble de lames à moulurer. Le non-respect de ces avertissements pourrait causer des blessures corporelles graves.

REMARQUE : laissez la rondelle intérieure dans sa position de sciage initiale. Installez l'ensemble de lames à moulurer, puis la rondelle extérieure et enfin l'écrou de fixation de l'arbre. Assurez-vous que tous les couteaux et l'écrou de fixation de l'arbre sont suffisamment serrés. Certains ensembles de lames à moulurer contiennent une rondelle/entretoise épaisse supplémentaire ; cette pièce n'est pas utilisée sur la scie de table 4100.

1. Débranchez la fiche de la prise de courant. Élevez la lame de scie à la hauteur maximum.
2. Retirez l'ensemble de barrière de sécurité et de dispositif de protection contre les chocs en retour (voir page 55 et 56). Abaissez le couteau diviseur dans sa position la plus basse et verrouillez-le dans cette position.
3. Retirez la plaque amovible de table standard.
4. Retirez l'écrou de fixation de l'arbre et seulement la rondelle de lame extérieure et la lame de scie (voir page 57).

REMARQUE : laissez la rondelle de lame intérieure sur l'arbre.

5. Placez l'ensemble de lames à moulurer contre la rondelle intérieure (avec les couteaux orientés face à l'avant de la scie). Puis placez-le sur la rondelle extérieure et serrez l'écrou de fixation de l'arbre sur l'arbre.
6. Abaissez les couteaux au-dessous du dessus de la table et insérez la plaque amovible de table pour moulurage Bosch (TS1009). Élevez les couteaux jusqu'à la profondeur de coupe désirée (au-dessus de la plaque amovible). Vérifiez que l'outil n'est pas branché dans une prise de courant ; puis faites tourner les couteaux à la main en prenant toutes les précautions nécessaires pour vous assurer que tous les composants sont fermement à leur place et qu'il n'existe pas d'interférences.
7. Branchez la scie dans une prise de courant. Utilisez des morceaux de bois résiduels pour pratiquer vos coupes de moulurage, et ajustez la hauteur en conséquence.

⚠ AVERTISSEMENT pour réduire le risque de blessure, ne faites jamais passer

vos mains au-dessus des lames à moulurer. Les coupes de moulurage sont des coupes partielles (aveugles). À de nombreux moments, il n'est pas possible de voir les couteaux pendant la coupe. Voir les instructions sur le sciage partiel à la page 80. L'ouvrage doit être maintenu contre le guide de refente de la scie pendant qu'on le fait avancer dans la scie. Un guide de refente auxiliaire doit être attaché au guide de refente standard de la scie (voir page 76). Ne faites jamais de coupes à main levée. Dans la mesure du possible, utilisez des baguettes-poussoirs et des plateaux-poussoirs pour faire des coupes de moulurage (voir page 79). Utilisez toujours des planches à languettes ou des dispositifs de retenue attachés à la table ou au guide (voir page 80). **IMPORTANT :** suivez toutes les instructions et tous les avertissements accompagnant votre ensemble de lames à moulurer.

REMISE DE LA SCIE EN ÉTAT POUR DES COUPES TRAVERSANT COMPLÈTEMENT UN OUVRAGE

Après avoir réalisé votre coupe de moulurage, n'oubliez pas de remettre les rondelles intérieures et extérieures dans leurs positions d'origine (voir les détails à la page 57). Il est important que les rondelles de l'équipement d'origine soient dans leurs positions correctes pour que la lame de scie puisse toujours s'aligner avec le couteau diviseur installé de façon permanente.

FIG. 71

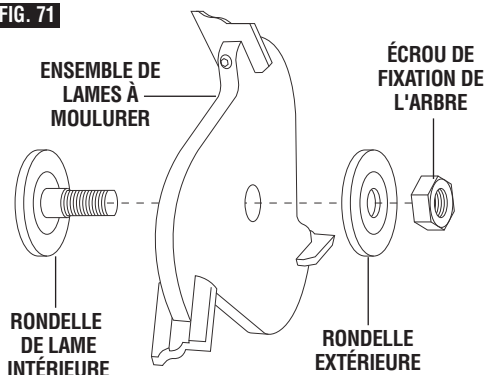
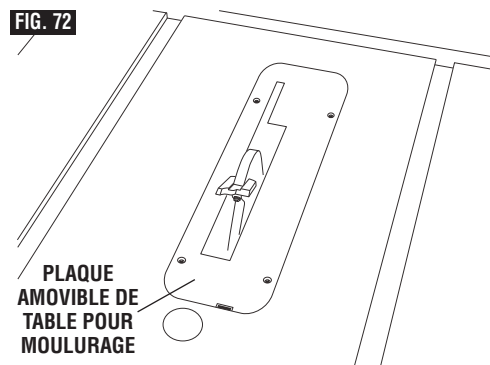


FIG. 72



TECHNIQUES DE COUPE SPÉCIALISÉES

⚠ AVERTISSEMENT Cette scie est un outil multi-usages pouvant exécuter un très grand nombre de coupes hautement spécialisées qu'il n'est pas possible d'aborder dans le présent Guide de l'utilisateur. Ne tentez pas d'exécuter des coupes dont ne parle pas ce guide à moins de très bien connaître la marche à suivre, y compris les méthodes de fixation.

Vous pouvez consulter, à votre bibliothèque locale, divers livres consacrés aux techniques de menuiserie, tels que « The Complete Book of Stationary Power Tool Techniques », de R.J. De Christoforo, ou « Table Saw Techniques », de R. Cliffe.

COUPE DE MÉTAUX ET DE MAÇONNERIE

⚠ AVERTISSEMENT Cette scie à table n'est pas recommandée pour couper des métaux tels que l'aluminium ou le cuivre, même avec une lame spéciale conçue pour couper de tels matériaux.

⚠ AVERTISSEMENT Cette scie à table n'est pas recommandée pour couper des matériaux en maçonnerie, même avec des meules de tronçonnage abrasives.

Entretien de la scie de table

ENTRETIEN

⚠ AVERTISSEMENT Pour votre sécurité, mettez l'interrupteur en position « ARRÊT » et débranchez la fiche du secteur avant toute opération d'entretien ou de lubrification de votre scie.

Ne laissez pas s'accumuler la sciure à l'intérieur de la scie. Enlevez fréquemment, à l'aide d'un jet d'air, la poussière s'accumulant dans le bâti et le moteur de la scie. Nettoyez vos outils de coupe à l'aide d'un solvant pour résine et poix.

Nettoyez périodiquement le dispositif de protection. Essayez-le ou nettoyez-le avec un jet d'air comprimé.

Essuyer le cordon d'alimentation et la machine à l'aide d'un chiffon propre et sec afin de prévenir toute détérioration due à de l'huile ou de la graisse.

⚠ MISE EN GARDE Certains détergents et solvants ont un effet corrosifs sur le plastique; il s'agit entre autres de l'essence, du tétrachlorure de carbone, des solvants chlorés, de l'ammoniaque et des détergents domestiques contenant de l'ammoniaque. En évitant d'utiliser ces produits, ainsi que d'autres types de produits de nettoyage, vous réduirez au minimum les risques d'endommager votre machine.

Une couche de cire de carrossier appliquée de temps à autre sur la table de coupe contribuera à la propreté de cette dernière et permettra à l'ouvrage d'y glisser facilement.

Faire remplacer immédiatement le cordon d'alimentation s'il est usé, entaillé ou endommagé de quelque façon que ce soit.

Veillez à ce que les dents des TAQUETS ANTI-REBONDS soient toujours affûtées. Marche à suivre pour l'affûtage.

1. Retirez le protège-lame.

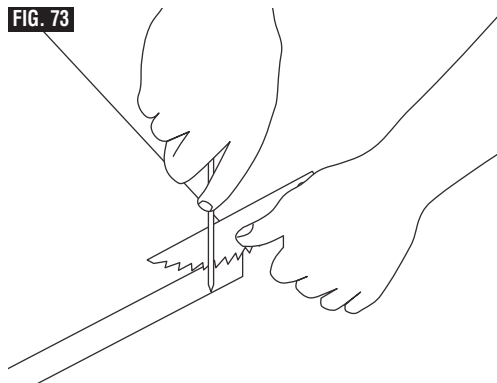
2. Relevez les taquets en les ramenant vers l'arrière de façon à ce que leurs dents soient orientées vers le haut, au-dessus du séparateur.

3. Tenez le séparateur de la main gauche et placez le taquet contre un coin de l'établi (Fig. 73).

4. Aiguisez les dents du taquet à l'aide d'une petite lime ronde à grain fin.

⚠ AVERTISSEMENT Toutes les réparations électriques ou mécaniques ne doivent être effectuées que par un technicien qualifié. Adressez-vous au Centre de service en usine Bosch ou à une Station-service Bosch agréée, ou à tout autre service de réparation compétent. N'utilisez que des pièces de rechange Bosch ; d'autres types de pièces pourraient présenter un danger.

FIG. 73



Lubrification

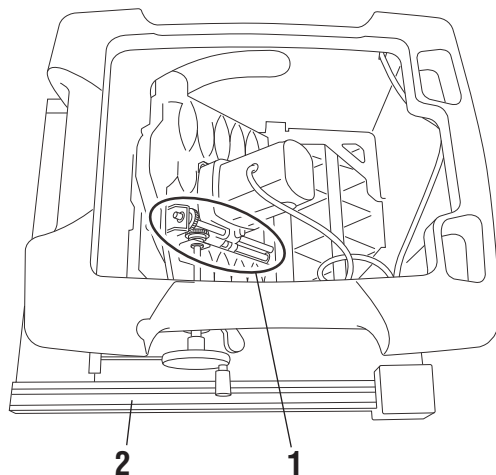
Tous les engrenages ont été lubrifiés en usine. Toutefois, après six mois à un an, selon la fréquence d'utilisation, il est bon de renvoyer votre outil au Centre de service le plus proche afin de faire procéder aux opérations suivantes :

- Remplacement des balais
- Nettoyage et inspection des différentes pièces
- Nouvelle lubrification à l'aide de lubrifiant vierge
- Vérification du système électrique
- Toutes réparations éventuelles

Les pièces suivantes doivent être huilées de temps en temps avec de l'huile SAE N° 20 ou N° 30, ou de la WD 40 (Fig. 74).

1. Réglage de hauteur, barres de support et engrenages.
2. Rails de coulisse et supports.
3. Cames de verrouillage de la table (avant et arrière).

FIG. 74



Accessoires recommandés

Article	No. de cat.	Article	No. de cat.
Support de sortie arrière	TS1002	Élément amovible pour moulurer	TS1009
Support de sortie du côté gauche	TS1003	Système de guide de pousoir	TS1010
Sac à poussière	TS1004	Plateforme de support à roulettes	
Élément amovible sans jeu	TS1005	Gravity-Rise pour scie à table	TS2000
Ensemble d'élément amovible pour rainurer	TS1007		

AVERTISSEMENT

N'utilisez que des accessoires recommandés. Suivez les instructions fournies avec les accessoires. L'utilisation d'accessoires inadaptés peut présenter un danger.

Guide de diagnostic

A AVERTISSEMENT

Mettez l'interrupteur en position « ARRÊT » et débranchez le cordon d'alimentation avant de rechercher les causes d'une panne éventuelle.

PROBLÈME: LA SCIE NE DÉMARRE PAS

CAUSES POSSIBLES

1. Le cordon d'alimentation n'est pas branché.
2. Fusible grillé ou disjoncteur déclenché.
3. Cordon d'alimentation endommagé.
4. Interrupteur grillé.

SOLUTION

1. Brancher le cordon.
2. Remplacer le fusible ou réenclencher le disjoncteur.
3. Faire remplacer le cordon par un Centre de service ou une Station service Bosch agréés.
4. Faire remplacer l'interrupteur par un Centre de service ou une Station service Bosch agréés.

PROBLÈME: LA LAME NE TOURNE PAS À UNE VITESSE SUFFISANTE

CAUSES POSSIBLES

1. Rallonge d'alimentation électrique de trop faible calibre ou trop longue.
2. Tension insuffisante du système électrique domestique.

SOLUTION

1. Utiliser une rallonge adaptée.
2. Prévenir la compagnie d'électricité.

PROBLÈME: VIBRATIONS EXCESSIVES

CAUSES POSSIBLES

1. Poignée de verrouillage du dispositif d'inclinaison de la lame insuffisamment serrée.
2. Lame déséquilibrée.
3. La scie n'est pas bien fixée à son support ou à l'établi.
4. L'écrou de fixation de l'outil de coupe n'est pas assez serré.

SOLUTION

1. Voir le chapitre « Familiarisez-vous avec votre scie » (pages 52-53).
2. Mettre la lame au rebut et en installer une autre.
3. Resserrer tous les boulons de fixation; voir le chapitre « Installation de la scie » (page 58).
4. Voir la section « Changement de la lame », au chapitre « Assemblage » (page 57).

PROBLÈME: LES COUPES TRANSVERSALES NE SONT PAS D'ÉQUERRE

CAUSES POSSIBLES

1. Le guide de coupe angulaire est mal réglé.

SOLUTION

1. Voir la section « Réglage du guide de coupe angulaire », au chapitre « Réglages » (page 74).

PROBLÈME: LA LAME SE COINCE OU PROVOQUE UN ÉCHAUFFEMENT EXCESSIF DE L'OUVRAGE, OU LE MOTEUR SE BLOQUE, PENDANT UNE COUPE EN LONG

CAUSES POSSIBLES

1. Lame émoussée et voie des dents inadaptée.
2. Planche gondolée.
3. Le guide de refente n'est pas parallèle à la lame.
4. Le séparateur n'est plus aligné.

SOLUTION

1. Affûter ou remplacer la lame.
2. Vérifier si vous avez placé la planche côté concave (creux) VERS LE BAS, et faire avancer lentement contre la lame.
3. Voir la section « Alignement du guide de refente », au chapitre « Réglages » (page 72).
4. Voir la section « Montage du système Smart Guard « Assemblage » (page 55 et 56).

PROBLÈME: LA SCIE NE DONNE PAS LES RÉSULTATS ESCOMPTÉS LORSQU'ELLE EST RÉGLÉE POUR UNE COUPE À 90° ET À 45°

CAUSES POSSIBLES

1. Les vis d'alignement sont mal réglées.

SOLUTION

1. Se reporte à la section « Réglage du parallélisme de la lame par rapport au guide de coupe angulaire » (page 60).

PROBLÈME: LA POIGNÉE DE VERROUILLAGE DU DISPOSITIF D'INCLINAISON DE LA LAME OU LE VOLANT DE RÉGLAGE DE HAUTEUR SONT DIFFICILES À MANŒVRER

CAUSES POSSIBLES

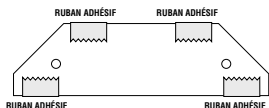
1. La poignée de verrouillage n'était pas desserrée au moment du réglage de l'inclinaison.
2. Il y a de la sciure sur le filetage de la vis de réglage de la profondeur.

SOLUTION

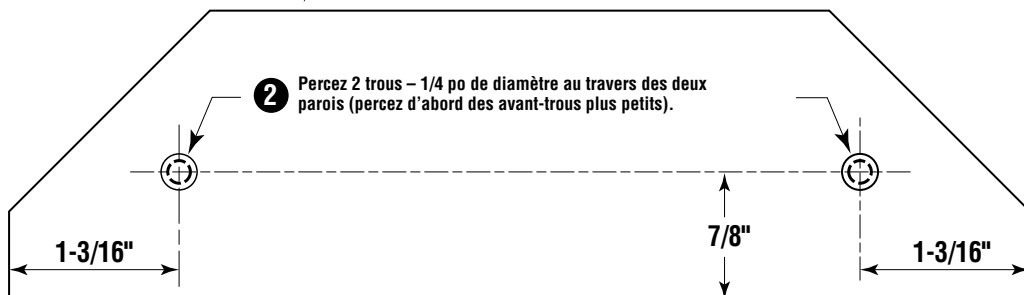
1. Voir la section « Poignée de verrouillage du dispositif d'inclinaison de la lame », au chapitre « Familiarisez-vous avec votre scie » (page 85).
2. Voir la section « Lubrification », au chapitre

GABARIT POUR GUIDE DE COUPE ANGULAIRE POUR AJOUTER DES TROUS DE MONTAGE (POUR FIXER UN GUIDE AUXILIAIRE)

SUIVEZ LES ÉTAPES : **1** **2**



1 Coupez le gabarit le long des bords extérieurs, placez-le sur la face du guide de coupe angulaire comme indiqué ci-dessus, et fixez-le avec du ruban adhésif.



Normas generales de seguridad

ADVERTENCIA

“LEA TODAS LAS INSTRUCCIONES”. El incumplimiento de las normas de seguridad indicadas a continuación y otras precauciones de seguridad básicas puede dar lugar a lesiones personales graves.

Area de trabajo

MANTENGA ALEJADOS A LOS NIÑOS

No permita que los visitantes toquen la herramienta o el cordón de extensión. Todos los visitantes deben mantenerse alejados del área de trabajo.

MANTENGA LIMPIAS LAS AREAS DE TRABAJO

Las áreas y mesas desordenadas invitan a que se produzcan accidentes.

HAGA EL TALLER A PRUEBA DE NIÑOS

Con candados e interruptores maestros.

EVITE LOS ENTORNOS PELIGROSOS

No utilice herramientas mecánicas en lugares húmedos o mojados. Mantenga el área de trabajo bien iluminada. No exponga las herramientas mecánicas a la lluvia. No utilice la herramienta en presencia de líquidos o gases inflamables.

Seguridad personal

CONOZCA SU HERRAMIENTA MECANICA

Lea y entienda el manual del usuario y las etiquetas puestas en la herramienta. Aprenda las aplicaciones y los límites, así como los peligros potenciales específicos que son propios de esta herramienta.

NO INTENTE ALCANZAR DEMASIADO LEJOS

Mantenga una posición y un equilibrio adecuados en todo momento.

MANTENGASE ALERTA

Fijese en lo que está haciendo. Use el sentido común. No utilice la herramienta cuando esté cansado. No la use cuando se encuentre bajo la influencia de medicamentos o al tomar alcohol u otras drogas.

VISTASE ADECUADAMENTE

No se ponga ropa holgada ni joyas. Pueden quedar atrapadas en las piezas móviles. Se recomiendan guantes de caucho y calzado antideslizante cuando se trabaja a la intemperie. Use cubiertas protectoras para el pelo a fin de sujetar el pelo largo.

USE GAFAS DE SEGURIDAD

Use también una careta o una máscara contra el polvo si la operación genera polvo, y protección en los oídos cuando use las herramientas mecánicas mucho rato.

PROTEJASE CONTRA LAS SACUDIDAS ELECTRICAS

Evite el contacto del cuerpo con las superficies conectadas a tierra. Por ejemplo: tuberías, radiadores, cocinas y refrigeradores.

DESCONECTE LAS HERRAMIENTAS DE LA FUENTE DE ENERGIA

Cuando no se estén utilizando, antes del servicio de ajustes y reparaciones, al cambiar hojas, brocas, cortadores, etc.

MANTENGA PUESTOS LOS PROTECTORES

En buenas condiciones de funcionamiento y con el ajuste y la alineación adecuados.

QUITTE LAS LLAVES DE AJUSTE Y LAS LLAVES DE TUERCA

Cuando no se estén utilizando, antes del servicio de ajustes y reparaciones, al cambiar hojas, brocas, cortadores, etc.

EVITE EL ARRANQUE ACCIDENTAL

Asegúrese de que el interruptor está en la posición “OFF” (desconectado) antes de enchufar la herramienta.

NUNCA SE SUBA A LA HERRAMIENTA NI A SU SOPORTE

Se podrían producir lesiones graves si la herramienta se inclina o si se toca accidentalmente la herramienta de corte. No guarde materiales sobre la herramienta ni cerca de ésta de tal manera que sea necesario subirse a la herramienta o a su soporte para llegar a ellos.

REVISE LAS PIEZAS DAÑADAS

Antes de volver a utilizar la herramienta, una protección u otra pieza que esté dañada deberá revisarse cuidadosamente para asegurarse de que funcionará adecuadamente y de que realizará la función para la cual está diseñada. Verifique la alineación de las piezas móviles, el montaje y cualquier otra situación que pueda afectar su funcionamiento. Un protector o cualquier otra pieza que presenta daños se debe sustituir adecuadamente.

ADVERTENCIA

Todas las reparaciones, eléctricas o mecánicas, deben ser realizadas únicamente por técnicos de reparación capacitados. Póngase en contacto con el Centro de servicio de fábrica Bosch más próximo, con la Estación de servicio Bosch autorizada o con otro servicio de reparaciones competente.

ADVERTENCIA

Utilice piezas de repuesto Bosch únicamente; cualquier otra puede constituir un peligro.

ADVERTENCIA

Utilice únicamente accesorios que estén recomendados por el fabricante de su modelo. Los accesorios que pueden ser adecuados para una herramienta pueden volverse peligrosos cuando se utilizan en otra herramienta.

Utilización de la herramienta

NO FUERCE LA HERRAMIENTA

La herramienta hará el trabajo mejor y con más seguridad a la capacidad para la cual fue diseñada.

UTILICE LA HERRAMIENTA ADECUADA

No fuerce una herramienta pequeña o un accesorio pequeño a realizar el trabajo de una herramienta pesada. No utilice la herramienta para funciones para las cuales no fue diseñada — por ejemplo, no use una sierra circular para cortar ramas o troncos de árboles.

“CONSERVE ESTAS INSTRUCCIONES”

Normas de seguridad adicionales

FIJE LA PIEZA DE TRABAJO

Utilice abrazaderas o un tornillo de carpintero para sujetar la pieza de trabajo cuando esto resulte práctico. Es más seguro que utilizar la mano y deja libres ambas manos para manejar la herramienta.

DIRECCION DE AVANCE

Haga avanzar la pieza de trabajo por una hoja o cortador en contra del sentido de rotación de la hoja o cortador únicamente.

NUNCA DEJE LA HERRAMIENTA FUNCIONANDO DESATENDIDA

Apague la herramienta. No deje la herramienta hasta que ésta se haya detenido por completo.

Cuidado de la herramienta

NO ALTERE NI HAGA USO INCORRECTO DE LA HERRAMIENTA

Estas herramientas están fabricadas con precisión. Cualquier alteración o modificación no especificada constituye un uso incorrecto y puede dar lugar a situaciones peligrosas.

EVITE LAS AREAS DE GASES

No utilice herramientas eléctricas en una atmósfera gaseosa o explosiva. Los motores de estas herramientas normalmente producen chispas y pueden dar lugar a una situación peligrosa.

MANTENGA LAS HERRAMIENTAS CON CUIDADO

Conserve las herramientas afiladas y limpias para que funcionen mejor y con más seguridad. Siga las instrucciones para lubricar y cambiar los accesorios. Inspeccione periódicamente los cordones de las herramientas y si están dañados hágalos reparar por un centro de servicio autorizado. Inspeccione periódicamente los cordones de extensión y sustitúyalos si están dañados. Mantenga los mangos secos, limpios y libres de aceite y grasa.

▲ ADVERTENCIA Antes de conectar la herramienta a una fuente de energía (caja tomacorriente, tomacorriente, etc.), asegúrese de que el voltaje suministrado es el mismo que el que se indica en la placa del fabricante de la herramienta. Una fuente de energía con un voltaje superior al especificado para la herramienta puede ocasionar graves lesiones al usuario, así como daños a la herramienta. En caso de duda, **NO ENCHUFE LA HERRAMIENTA**. La utilización de una fuente de energía con un voltaje inferior a la capacidad nominal indicada en la placa del fabricante es perjudicial para el motor.

▲ ADVERTENCIA Para su propia seguridad no haga funcionar la sierra de mesa hasta que ésta se encuentra completamente montada e instalada conforme a las instrucciones y hasta que haya leído y entendido lo siguiente:

1. Normas generales de seguridad 88-91
2. Herramientas con aislamiento doble 92
3. Familiarización con la sierra de mesa 95-96
4. Ensamblaje 98-101
5. Ajustes 102-106
6. Funcionamiento básico de la sierra de mesa 107-127
7. Mantenimiento de la sierra de mesa 127-128

ESTABILIDAD DE LA SIERRA

La sierra de mesa DEBE ESTAR ATORNILLADA firmemente a una base o banco de trabajo. Además, si la sierra de mesa tiende a inclinarse o moverse durante ciertas operaciones tales como el corte de tablas largas y pesadas, utilice un soporte auxiliar.

UBICACION

Utilice la sierra de mesa en un área bien iluminada sobre una superficie nivelada, suficientemente limpia y lisa para reducir el riesgo de tropezones y caídas. Utilícela donde ni el operador ni el observador casual se vean forzados a situarse en línea con la hoja.

RETROCESO

El retroceso puede causar lesiones graves: Se produce "RETROCESO" cuando una parte de la pieza de trabajo se atasca entre la hoja de la sierra y el tope guía para cortar al hilo u otro objeto fijo. El que la pieza de trabajo se atasque en la hoja debido a una mala alineación también puede causar retroceso. Durante el retroceso, la pieza de trabajo se eleva respecto a la mesa y sale despedida hacia el operador. Mantenga la cara y el cuerpo a un lado de la hoja de sierra, fuera de línea con un posible "RETROCESO".

LOS RETROCESOS Y LAS POSIBLES LESIONES NORMALMENTE SE PUEDEN EVITAR:

- a. Manteniendo el tope-guía para cortar al hilo paralelo a la hoja de sierra.
- b. Manteniendo afilada la hoja de sierra. Cambiando o afilando los trinquetes antirretroceso cuando las puntas se desafilan.
- c. Manteniendo el protector de la hoja de sierra, el separador y los trinquetes antirretroceso en su sitio y funcionando adecuadamente. El separador debe estar alineado con la hoja de sierra y los trinquetes deben detener el retroceso una vez que éste haya comenzado. Compruebe el funcionamiento de éstos antes de cortar al hilo.
- d. NO cortando al hilo una pieza de trabajo que esté torcida o combada o que no tenga una regla recta para guiar a lo largo del tope-guía para cortar al hilo.
- e. NO soltando la pieza de trabajo hasta que haya sido empujada hasta pasar completamente la hoja de sierra.
- f. Utilizando un palo de empujar para cortar al hilo anchos de 2" a 6" y un tope-guía auxiliar y un bloque de empujar para cortar al hilo anchos más de menos de 2" (vea la sección "Funcionamiento básico de la sierra utilizando el tope-guía para cortar al hilo", páginas 120-121).
- g. NO confinando la pieza cortada al cortar al hilo o al cortar transversalmente.
- h. Al cortar al hilo, aplique la fuerza de avance a la sección de la pieza de trabajo entre la hoja de sierra y el tope-guía para cortar al hilo. Utilice un palo de empujar o un bloque de empujar cuando sea adecuado (vea el ítem f. más arriba).

"CONSERVE ESTAS INSTRUCCIONES"

Normas de seguridad adicionales

PROTECCION: Ojos, manos, cara, oídos y cuerpo.

⚠ ADVERTENCIA PARA EVITAR SER ARRASTRADO HACIA LA HERRAMIENTA QUE GIRA,

NO USE: Guantes que queden holgados
Ropa holgada
Corbata, joyas

**SUJETESE EL PELO LARGO DETRAS DE LA CABEZA
SUBASE LAS MANGAS LARGAS POR ENCIMA DE LOS CODOS**

a. Si cualquier pieza de la sierra falta, funciona mal, ha sido dañada o rota ... tal como el interruptor del motor u otro control de funcionamiento, un dispositivo de seguridad o el cordón de energía ... deje de utilizar la herramienta inmediatamente hasta que la pieza específica se repare o sustituya adecuadamente.

b. Use gafas de seguridad y máscara si la operación genera polvo. Use protectores para los oídos u orejeras durante los períodos de funcionamiento prolongados. Pequeños pedazos de madera sueltos u otros objetos que hacen contacto con la parte posterior de la hoja que gira pueden salir despedidos hacia el operador a una velocidad excesiva. Normalmente esto se puede evitar manteniendo el protector de la hoja y el separador en su sitio para todas las operaciones de "ASERRADO PAS-ANTE" (aserrado atravesando por completo la pieza de trabajo) Y retirando de la mesa todos los pedazos sueltos con un palo de madera largo INMEDIATAMENTE después de que son cortados.

c. Utilice precaución adicional cuando se quita el ensamblaje del protector para reaserrar, cortar mortajas, cortar rebajos o moldear — vuelva a colocar el protector en cuanto se termine de realizar la operación.

d. NUNCA encienda la sierra (posición "ON") antes de retirar de la mesa todas las herramientas, desechos de madera, etc., excepto la pieza de trabajo y los dispositivos de avance o soporte relacionados para la operación planeada.

e. NUNCA sitúe la cara o el cuerpo en línea con la herramienta de corte.

- NUNCA ponga los dedos ni las manos en la trayectoria de la hoja de sierra ni de ninguna otra herramienta de corte.

- NUNCA ponga ninguna de las manos detrás de la herramienta de corte para sujetar o soportar la pieza de trabajo, retirar desechos de madera o por ninguna otra razón. Evite las operaciones extrañas y las posiciones difíciles de las manos en las cuales un resbalón repentino podría hacer que los dedos o la mano se movieran hasta entrar en contacto con la hoja de sierra u otra herramienta de corte.

- NO realice ninguna operación "A PULSO" — utilice siempre el tope-guía para cortar al hilo o el calibre de ingletes para posicionar y guiar la pieza de trabajo.

- NUNCA utilice el tope-guía para cortar al hilo al realizar cortes transversales ni el calibre de ingletes al cortar al hilo. NO utilice el tope-guía para cortar al hilo como tope de longitud.

- NUNCA agarre ni toque el "extremo libre" de la pieza de trabajo o "un pedazo libre" que se ha cortado mientras la herramienta está encendida y/o la hoja de sierra está girando.

- Apague la sierra y desconecte el cordón de energía al quitar el accesorio de inserción de la mesa, cambiar la herramienta de corte, quitar o cambiar el protector de la hoja, o realizar ajustes.

- Proporcione un soporte adecuado para la parte posterior y los lados de la mesa de sierra para piezas de trabajo más anchas o más largas.

- El plástico y los materiales de composición (como el tablero de aglomerado) se pueden cortar con la sierra. Sin embargo, como éstos suelen ser bastante duros y resbaladizos, es posible que los trinquetes antirretroceso no puedan detener el retroceso. Por lo tanto, preste atención especial a seguir los procedimientos adecuados de preparación y corte para realizar cortes al hilo. No se sitúe, ni permita que nadie se sitúe, en línea con un posible retroceso.

f. Si la hoja de corte se detiene o trava en la pieza de trabajo, apague la sierra, retire la pieza de trabajo de la hoja de sierra y compruebe si la hoja de sierra se encuentra paralela a las ranuras o acanaladuras de la mesa y si el separador se encuentra alineado adecuadamente con la hoja de sierra. Si en ese momento está cortando al hilo, compruebe si el tope-guía para cortar al hilo se encuentra paralelo a la hoja de sierra. Reajústelo tal como se indica.

g. NUNCA haga agrupaciones transversalmente al corte — alineando más de un pieza de trabajo frente a la hoja (apiladas vertical u horizontalmente hacia afuera sobre la mesa) y empujándolas luego a través de la hoja de sierra. La hoja podría enganchar una o más piezas y causar un atasco o pérdida de control y posibles lesiones.

h. NO retire pedazos pequeños de material cortado que puedan quedar atrapados dentro del protector de la hoja mientras la sierra está en marcha. Esto podría poner en peligro las manos o causar retroceso. APAGUE la sierra y espere hasta que la hoja se detenga.

11. CONOZCA SUS HERRAMIENTAS DE CORTE

Las herramientas de corte desafiladas, gomosas o inadecuadamente afiladas o triscadas pueden hacer que el material se adhiera, trabe, detenga la sierra o experimente retroceso hacia el operador. Minimice los posibles peligros mediante el mantenimiento adecuado de la herramienta de corte y la máquina. NUNCA INTENTE LIBERAR UNA HOJA DE SIERRA DETENIDA SIN APAGAR LA SIERRA PRIMERO.

a. NUNCA utilice ruedas de amolar, ruedas abrasivas de corte, ruedas de fricción (hojas de cortar metal en tiras), ruedas con rayos de alambre o ruedas de bruñir.

b. UTILICE ÚNICAMENTE ACCESORIOS RECOMENDADOS.

c. Las operaciones de corte transversal se realizan de manera más conveniente y con mayor seguridad si se coloca un re-

"CONSERVE ESTAS INSTRUCCIONES"

Normas de seguridad adicionales

frentado de madera auxiliar en el calibre de ingletes. (Vea las páginas 117.)

d. Asegúrese de que la parte superior de la herramienta de corte gira hacia usted cuando se encuentra situado en una posición normal de operación. Asegúrese también de que la herramienta de corte, los collarines del eje portaherramienta y la tuerca del eje portaherramienta están instalados adecuadamente. Mantenga la herramienta de corte tan baja como sea posible para la operación que se está realizando. Mantenga todos los protectores colocados en su sitio siempre que sea posible.

- No utilice ninguna hoja u otra herramienta de corte marcada para una velocidad de funcionamiento inferior a 4800 R.P.M. Nunca utilice una herramienta de corte con un diámetro superior al diámetro para el cual se diseñó la sierra. Para máxima seguridad y eficacia al cortar al hilo, utilice la hoja de diámetro máximo para la cual se diseñó la sierra, ya que bajo estas condiciones el separador se encuentra más próximo a la hoja.

e. Asegúrese de que el accesorio de inserción de la mesa se encuentra la ras con la superficie de la mesa o ligeramente por debajo de dicha superficie en todos los lados excepto el posterior. NUNCA haga funcionar la sierra a menos que el accesorio de inserción adecuado se encuentre instalado.

12. PIENSE EN LA SEGURIDAD

LA SEGURIDAD ES UNA COMBINACION DE SENTIDO COMUN POR PARTE DEL OPERADOR Y DE ESTAR ALERTA EN TODO MOMENTO CUANDO SE ESTA UTILIZANDO LA SIERRA DE MESA.

ADVERTENCIA No deje que el trabajar de manera confiada debido a la familiarización con la herramienta (adquirida con el uso frecuente de la sierra de mesa) se convierta en algo habitual. Recuerde siempre que un descuido de una fracción de segundo es suficiente para causar lesiones graves.

ADVERTENCIA Para su propia seguridad: Lea y entienda el manual del usuario antes de utilizar la sierra.

- Use protección de los ojos, tapones de oídos y máscara antipolvo según sea necesario. Sepa cómo apagar la herramienta en una emergencia.
- Antes de comenzar cualquier "corte pasante", asegúrese de que:
 - los protectores de la hoja no estén bloqueados en la posición hacia "arriba", que se puedan mover libremente hacia arriba y hacia abajo y que estén descansando sobre la mesa.
 - la cuchilla separadora esté en la posición completamente hacia "arriba".
 - los triquetros antirretroceso estén instalados.
 - la profundidad de corte esté ajustada justo por encima del grosor de la pieza de trabajo.
 - Cuando corte al hilo:
 - empuje la pieza de trabajo solamente sobre el lado de la hoja correspondiente al tope-guía.
 - no ponga nunca más allá del punto central de la hoja la mano que no está usando para empujar.
 - el tope-guía debe estar paralelo a la hoja.
 - para realizar cortes en bisel, use el tope-guía solamente en el lado derecho de la hoja.
 - use un "palo de empujar" o un "bloque de empujar" en el caso de piezas de trabajo estrechas.
 - Sepa cómo evitar el riesgo de "retroceso". No presione la pieza de trabajo contra el lado de la hoja que gira.
- No se sitúe delante de la hoja de sierra que gira. Mantenga el cuerpo y las manos en cualquiera de los dos lados de la hoja. No punja nunca las manos alrededor de la hoja de sierra ni sobre ella.
- Desconecte la sierra de la fuente de energía antes de realizar servicio de ajustes y reparaciones o de cambiar la hoja. No se debe hacer ningún ajuste hasta que la herramienta se haya detenido.
- No deje que las piezas de cortadas sueltas queden en caída entre la hoja que gira y el tope-guía.
- No retire nunca las piezas atoradas o cortadas hasta que la hoja se haya detenido.
- No haga nunca cortes utili zando el calibre de ingletes junto con el tope-guía.
- No realice ninguna operación "a pulso".
- Use el calibre de ingletes para cortar transversalmente. Cuando el calibre de ingletes esté ajustado



(mostradas en el paquete) antes de comenzar a utilizar la herramienta mecánica.

ADVERTENCIA Cierta polvo generado por el lijado, aserrado, amolado y taladrado mecánicos, y por otras actividades de construcción, contiene agentes químicos que se sabe que causan cáncer, defectos de nacimiento u otros daños sobre la reproducción. Algunos ejemplos de estos agentes químicos son:

- Plomo de pinturas a base de plomo,
- Sílice cristalina de ladrillos y cemento y otros productos de mampostería, y
- Arsénico y cromo de madera tratada químicamente.

Su riesgo por causa de estas exposiciones varía, dependiendo de con cuánta frecuencia realice este tipo de trabajo. Para reducir su exposición a estos agentes químicos: trabaje en un área bien ventilada y trabaje con equipo de seguridad aprobado, como por ejemplo máscaras antipolvo que estén diseñadas especialmente para impedir mediante filtración el paso de partículas microscópicas.

OBSERVE Y SIGA LAS INSTRUCCIONES DE SEGURIDAD QUE APARECEN EN LA PARTE DELANTERA DE LA SIERRA DE MESA.

AVERTISSEMENT Pour votre propre sécurité - Lisez et comprenez le mode d'emploi avant d'utiliser la scie.

- Portez des lunettes de sécurité, un dispositif de protection des oreilles et un masque antipoussières suivant les besoins. Apprenez comment éteindre un outil rapidement en cas d'urgence.
- Avant de commencer toute coupe traversant complètement un ouvrage, vérifiez ce qui suit :
 - le dispositif de protection de la lame n'est pas verrouillé dans la position du haut ; il peut monter ou descendre librement et repose sur la table.
 - le couteau diviseur est dans la position la plus haute possible.
 - des cliquets de protection contre les chocs en retour sont attachés.
 - la profondeur de coupe est ajustée juste au-dessus de l'épaisseur de l'ouvrage.
- Pour les coupes longitudinales :

• Soporte las piezas de trabajo anchas o largas con bases de soporte auxiliares.

• Sujete firmemente la base de la herramienta a una plataforma estable o un banco de trabajo estable.

• Mantenga el interior de la sierra libre de acumulación de aserrín para evitar el peligro de incendio.

• Cuando haga servicio de ajustes y reparaciones de la herramienta, utilice únicamente piezas de repuesto idénticas.


• No exponga la herramienta a la lluvia ni la use en lugares húmedos.



“CONSERVE ESTAS INSTRUCCIONES”

Herramientas con aislamiento doble

HERRAMIENTAS CON AISLAMIENTO DOBLE

El aislamiento doble  es un concepto de diseño utilizado en las herramientas mecánicas eléctricas que elimina la necesidad de un cordón de energía de tres cables conectado a tierra y de un sistema de fuente de energía conectado a tierra. Es un sistema reconocido y aprobado por Underwriter's Laboratories, la CSA y las autoridades federales de la OSHA.

IMPORTANTE: El servicio de ajustes y reparaciones de una herramienta con aislamiento doble requiere cuidado y conocimiento del sistema y deberá ser realizado únicamente por un técnico de servicio competente.

DURANTE EL SERVICIO DE AJUSTES Y REPARACIONES, UTILICE ÚNICAMENTE PIEZAS DE REPUESTO IDENTICAS.

ENCHUFES POLARIZADOS. Para reducir el riesgo de sacudidas eléctricas, su herramienta está equipada con un enchufe polarizado (una terminal es más ancha que la otra), este enchufe entrará en un tomacorriente polarizado solamente de una manera. Si el enchufe no entra por completo en el tomacorriente, déle la vuelta. Si sigue sin entrar, póngase en contacto con un electricista competente para instalar el tomacorriente adecuado. Para reducir el riesgo de sacudidas eléctricas, no haga ningún tipo de cambio en el enchufe.

CORDONES DE EXTENSION

⚠ ADVERTENCIA Sustituya los cordones dañados inmediatamente. La utilización de cordones dañados puede causar sacudidas, quemar o electrocutar.

⚠ ADVERTENCIA Si se necesita un cordón de extensión, se debe utilizar un cordón con conductores de tamaño adecuado para prevenir caídas de tensión excesivas, pérdidas de potencia o sobrecalentamiento. La tabla muestra el tamaño correcto a utilizar, según la longitud del cordón y la capacidad nominal en amperios indicada en la placa del fabricante de la herramienta. En caso de duda, utilice la medida más gruesa siguiente. Utilice siempre cordones de extensión catalogados por U.L. y la CSA.

TAMAÑOS RECOMENDADOS DE CORDONES DE EXTENSION HERRAMIENTAS DE 120 V CORRIENTE ALTERNA

Capacidad nominal en amperes de la herramienta	Tamaño del cordón en A.W.G.				Tamaños del cable en mm ²			
	Longitud del cordón en pies				Longitud del cordón en metros			
	25	50	100	150	15	30	60	120
3-6	18	16	16	14	0,75	0,75	1,5	2,5
6-8	18	16	14	12	0,75	1,0	2,5	4,0
8-10	18	16	14	12	0,75	1,0	2,5	4,0
10-12	16	16	14	12	1,0	2,5	4,0	—
12-16	14	12	—	—	—	—	—	—

NOTA: Cuanto más pequeño es el número de calibre, más grueso es el cordón.

“CONSERVE ESTAS INSTRUCCIONES”

Índice

	Página		Página
Normas generales de seguridad	88	Ubicador de precorte	95
Normas de seguridad adicionales	89-91	Area para guardar el calibre de ingletes	95
Herramientas con aislamiento doble		Hoja, llave de tuerca y estuche de transporte	96
Cordones de extensión	92	Llave hexagonal y área de almacenamiento	96
Índice	92-93	Enrollador del cordón	96
Glosario de términos	93-94	Conexión de aspiración	96
Herramientas necesarias para el ensamblaje	94	Tope-guía para cortar al hilo	96
Familiarización con la sierra de mesa	95-96	Sistema de protector inteligente Smart Guard	96
Interruptor de encendido	95	Almacenamiento del sistema de protector inteligente Smart Guard	96
Mesa	95	Accesorio de inserción de la mesa	96
Base/subbase	95	Carro digital (modelo 4100DG-09 solamente)	96
Mango de fijación de la inclinación de la hoja	95	Desempaquetado y comprobación del contenido	97
Extensión de la mesa	95	Tabla de piezas sueltas	97
Mango de fijación de la extensión de la mesa	95	Ensamblaje	98
Rueda de elevación	95	Instalación de los componentes del Sistema Smart Guard	98-99
Escala de inclinación de la hoja	95	Cambio de la hoja	100
Escala del tope-guía para cortar al hilo	95	Colocación del tope-guía para cortar al hilo	101
Escala del calibre de ingletes	95	Montaje de la sierra de mesa	101
Area para guardar el tope-guía para cortar al hilo	95		

Ajustes de funcionamiento	102-106	cortar al hilo	115
Ajuste de los topes positivos de 90 y 45 grados	102	Utilización del indicador de la mesa	115
Ajuste de la hoja paralela a la ranura del calibre de ingletes	103	Ayudantes de trabajo	116
Ajuste del calibre de ingletes	103	Utilización del calibre de ingletes	117
Alineación del tope-guía para cortar al hilo	104	Corte transversal	118
Ajuste del indicador del tope-guía para cortar al hilo	104	Corte repetitivo	119
Ajuste del indicador de la mesa	105	Corte a inglete	120
Ajuste del accesorio de inserción de la mesa	105	Corte transversal en bisel	120
Alineación de la Cuchilla Separadora	105-106	Corte a inglete compuesto	120
Funcionamiento básico de la sierra de mesa	107-127	Utilización del tope-guía para cortar al hilo	120-121
Interruptor de encendido de seguridad	107	Corte al hilo	122
Sistema de protector inteligente Smart Guard	107-108	Aserrado no pasante	123
Ajuste de la extensión de la mesa	108	Corte de rebajos	123
Carro digital (modelo 4100DG-09 solamente)	109-114	Corte de mortajas y molduras	124-126
Ubicador de precorte	115	Mantenimiento de la sierra de mesa	127-128
Utilización del indicador del tope-guía para		Lubricación	128
		Accesorios	128
		Localización y reparación de averías	129

Glosario de términos

PIEZA DE TRABAJO

El objeto en el cual se está realizando la operación de corte. Las superficies de una pieza de trabajo se conocen comúnmente como caras, extremos y bordes.

TRINQUETES ANTIRRETROCESO

Dispositivo que, cuando se mantiene adecuadamente, está diseñado para evitar que la pieza de trabajo experimente retroceso hacia el operador durante la operación.

EJE PORTAHERRAMIENTA

El eje sobre el cual se monta una herramienta de corte.

CORTE TRANSVERSAL

Una operación de corte o de dar forma que se realiza transversalmente al ancho de la pieza de trabajo cortando la pieza de trabajo con la longitud que se necesita.

MORTAJA

Un corte no pasante que produce una muesca o acanaladura de lados en ángulo recto en la pieza de trabajo.

TABLA CON CANTO BISELADO

Un dispositivo que puede ayudar a guiar piezas de trabajo durante una operación del tipo de corte al hilo manteniendo la pieza de trabajo en contacto con el tope-guía para cortar al hilo. También ayuda al prevenir el retroceso.

A PULSO

La realización de un corte sin utilizar un tope-guía, un calibre de ingletes, un dispositivo de fijación, un accesorio de sujeción u otro dispositivo adecuado para evitar que la pieza de trabajo se tuerza durante el corte.

GOMA

Un residuo pegajoso basado en savia de productos de madera. Después de endurecerse se le conoce como "RESINA".

TALONAJE

Desalineación de la hoja que hace que el lado posterior o de salida de la hoja entre en contacto con la superficie cortada de la pieza de trabajo. El talonaje puede causar retroceso, atasco, fuerza excesiva, quemadura de la pieza de trabajo o astillado. En general, el talonaje produce un corte de mala calidad y puede constituir un peligro para la seguridad.

SEPARACION DE CORTE

El espacio entre la pieza de trabajo de donde la hoja quitó el material.

RETROCESO

Un agarre y lanzado incontrolados de la pieza de trabajo hacia la parte delantera de la sierra durante una operación del tipo de corte al hilo.

EXTREMO DE AVANCE

El extremo de la pieza de trabajo que durante una operación del tipo de corte al hilo es empujado primero hacia la herramienta de corte.

MOLDURA

Un corte no pasante que produce una forma especial en la pieza de trabajo utilizada para unión o decoración.

ASERRADO NO PASANTE

Toda operación de corte en la cual la hoja no atraviesa completamente la pieza de trabajo.

PALO DE EMPUJAR

Un dispositivo utilizado para hacer avanzar la pieza de trabajo a través de la sierra durante una operación del tipo de corte al hilo estrecha y que ayuda a mantener las manos del operador bien alejadas de la hoja. Utilice el palo de empujar para anchos de corte al hilo de menos de 6 pulgadas y más de 2 pulgadas.

BLOQUE DE EMPUJAR

Un dispositivo utilizado para operaciones del tipo de corte al hilo demasiado estrechas para permitir el uso de un palo de empujar. Utilice un bloque de empujar para anchos de corte al hilo de menos de 2 pulgadas.

REBAJO

Una muesca en el borde de una pieza de trabajo. También se le llama mortaja de borde.

CORTE AL HILO

Una operación de corte a lo largo de la longitud de la pieza de trabajo cortándola con el ancho que se necesita.

REVOLUCIONES POR MINUTO (R.P.M.)

El número de vueltas completadas en un minuto por un objeto que gira.

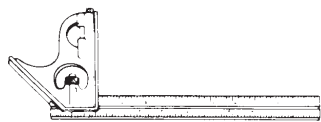
Herramientas necesarias para el ensamblaje



DESTORNILLADOR MEDIANO



DESTORNILLADOR PHILLIPS



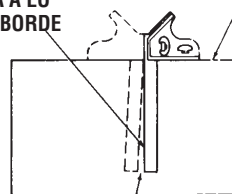
ESCUADRA DE COMBINACION



**LLAVE DE TUERCA DE 10mm
O LLAVE DE TUERCA
AJUSTABLE**

LA ESCUADRA DE COMBINACION DEBE ESTAR ALINEADA

BORDE RECTO DE LA TABLA DE 3/4" DE GROSOR. ESTE BORDE DEBE SER PERFECTAMENTE RECTO.
TRACE UNA LÍNEA LIGERA SOBRE LA TABLA A LO LARGO DE ESTE BORDE



NO DEBE HABER ESPACIO NI SUPERPOSICION AQUI CUANDO SE DE LA VUELTA A LA ESCUADRA EN LA POSICION DE LA LINEA DE PUNTOS.

⚠ ADVERTENCIA

Desconecte el enchufe de la fuente de energía antes de realizar cualquier ensamblaje, ajuste o reparación para evitar posibles lesiones.

Familiarización con la sierra de mesa

1. INTERRUPTOR DE ENCENDIDO

El interruptor incorpora un agujero para utilizarlo con un candado con el fin de evitar el arranque accidental.

2. MESA

Proporciona una superficie de trabajo grande para apoyar la pieza de trabajo.

3. BASE / SUBBASE

Soporta la sierra de mesa. La subbase proporciona estabilidad y capacidad adicional para deslizarse fácilmente sobre las superficies. La base cuenta con agujeros para empornar la sierra a un banco de trabajo o una base de soporte.

4. MANGO DE FIJACION DE LA INCLINACION DE LA HOJA

Fija el mecanismo de inclinación después que se ha ajustado la hoja en la posición deseada.

5. EXTENSION DE LA MESA

Proporciona una superficie de trabajo más grande para piezas de trabajo más largas.

6. MANGO DE FIJACION DE LA EXTENSION DE LA MESA

Permite fijar la extensión de la mesa a las distancias deseadas. También impide el uso de la sierra de mesa con la extensión desbloqueada.

7. RUEDA DE ELEVACION

Sube o baja la hoja. También se utiliza para inclinar la hoja desde 0 hasta 45 grados.

8. ESCALA DE INCLINACION DE LA HOJA

Muestra el grado de inclinación de la hoja.

9. ESCALA DEL TOPE-GUIA PARA CORTAR AL HILO

Muestra la distancia desde la hoja hasta el tope-guía para cortar al hilo a través de una conveniente ventana de visualización y aumento. La porción inferior de la escala puede utilizarse hasta 13 pulgadas. La porción superior de la escala se utiliza para hacer cortes más allá de 13 pulgadas.

10. CALIBRE DE INGLETES

La cabeza se puede fijar en la posición deseada para cortar transversalmente o para cortar a inglete apretando el pomo fijación. FIJELO FIRMEMENTE SIEMPRE QUE LO UTILICE.

11. AREA PARA GUARDAR EL TOPE-GUIA PARA CORTAR AL HILO

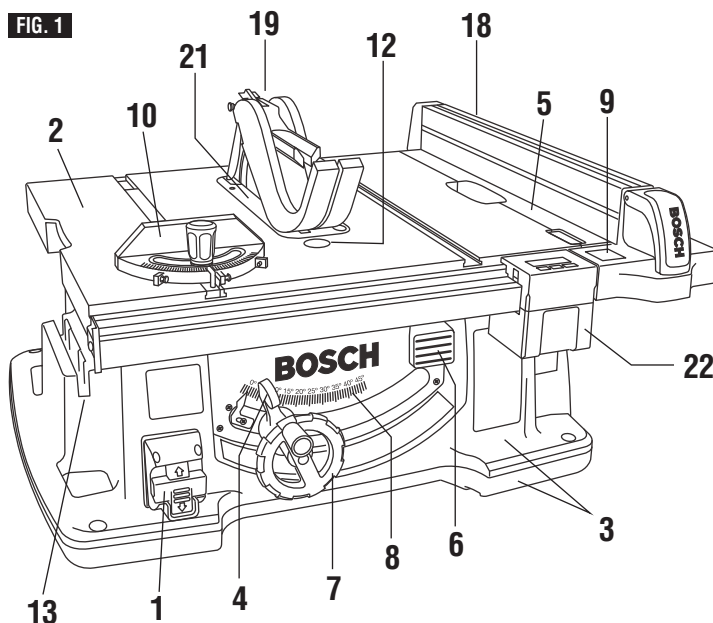
Guarda de manera práctica el tope-guía para cortar al hilo cuando no se está utilizando.

12. UBICADOR DE PRECORTE

Permite marcar y ubicar exactamente el lugar donde la hoja penetrará en la pieza de trabajo.

13. AREA PARA GUARDAR EL CALIBRE DE INGLETES

Guarda de manera práctica el calibre de ingletes cuando no se está utilizando.



Familiarización con la sierra de mesa

14. ÁREA DE ALMACENAMIENTO DE LAS HOJAS Y LA LLAVE DE TUERCA DE TUERCA

Permite almacenar hojas de 10" y la llave de tuerca para el eje portaherramienta.

15. LLAVE HEXAGONAL Y AREA DE ALMACENAMIENTO

Llave hexagonal para quitar el protector de la hoja y ajustar diversas cabezas hexagonales en la sierra.

16. ENROLLADOR DEL CORDON

Permite enrollar fácilmente el cordón de manera que no esorbe durante el transporte o almacenamiento de la herramienta.

17. CONEXION DE ASPIRACION

La sierra de mesa está equipada con una conexión de aspiración. Este dispositivo permite conectar cualquier manguera de aspiración de 2-1/4" al orificio para polvo provisto para retirar el serrín de manera conveniente.

18. TOPE-GUIA PARA CORTAR LA HILO

El exclusivo tope-guía para cortar al hilo de alineación automática y colocación rápida se puede mover o fijar en su sitio rápidamente simplemente subiendo o bajando el mango de fijación.

19. SISTEMA DE PROTECTOR INTELIGENTE SMART GUARD

Consiste en tres elementos clave: Cuchilla separadora ajustable (3 posiciones), dispositivo antirretroceso y dispositivo de protector de barrera. Todos estos elementos son parte de un sistema modular que no requiere herramientas para ensamblarlo o desensamblarlo. Este sistema de protector debe estar colocado siempre y funcionar correctamente para todos los cortes de aserrado pasante.

20. ALMACENAMIENTO DEL SISTEMA SMART GUARD

Cuando no se esté utilizando, el protector de barrera principal y el dispositivo antirretroceso se pueden almacenar debajo de la extensión de la mesa del lado derecho.

21. ACCESORIO DE INSERCIÓN DE LA MESA

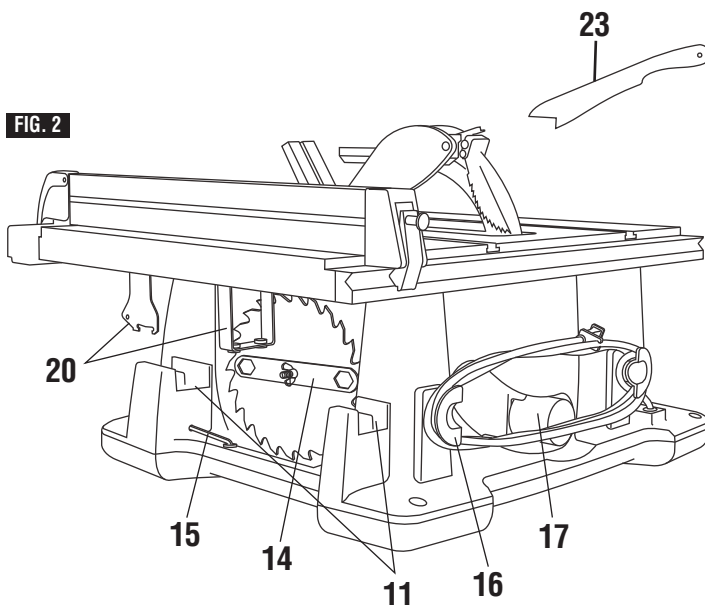
Es extraíble para quitar o instalar la hoja u otras herramientas de corte.

22. CARRO DIGITAL (MODELO 4100DG-09 SOLAMENTE)

Proporciona una lectura digital de los ajustes del tope-guía con exactitud constante y medidas precisas.

23. PALO DE EMPUJAR

Permite cortar al hilo piezas más pequeñas de material con un mayor nivel de seguridad.



Desempaquetado y comprobación del contenido

ADVERTENCIA Para evitar lesiones debidas al arranque inesperado o a sacudidas eléctricas, no enchufe el cordón de energía en una fuente de energía. Este cordón debe permanecer desenchufado cuando usted esté trabajando en la sierra de mesa.

La sierra de mesa modelo 4100 se envía completa en una caja de cartón.

Separe todas las piezas sueltas de los materiales de empaquetamiento y compruebe cada una utilizando la ilustración y la lista de piezas sueltas para asegurarse de que no falta ningún artículo antes de tirar cualquier material de empaquetamiento (Fig. 3).

ADVERTENCIA Si falta alguna pieza, no intente ensamblar la sierra de mesa, enchufar el cordón de energía ni encender el interruptor (posición "ON") hasta que las piezas que faltan hayan sido obtenidas e instaladas correctamente.

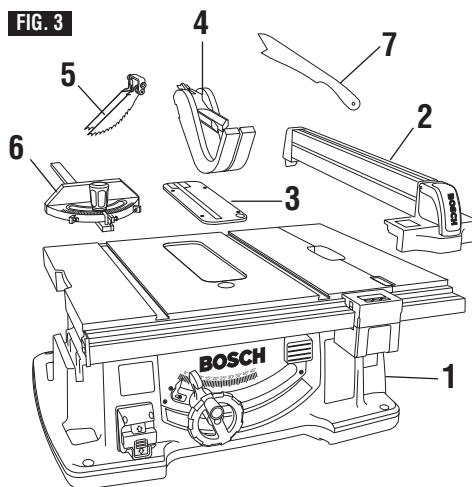
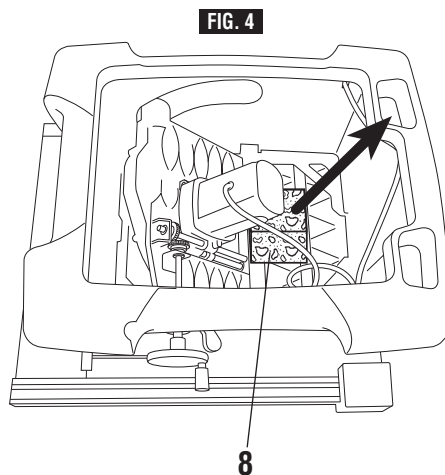


TABLA DE PIEZAS SUeltas

ARTICULO	DESCRIPCION	CANT.
1	Ensamblaje de la sierra de mesa	1
2	Tope-guía para cortar al hilo	1
3	Accesorio de insercion de la mesa	1
4	Protector de la hoja	1
5	Dispositivo antirretroceso	1
6	Calibre de ingletes	1
7	Palo de empujar	1

NOTA: Quite el bloque de espuma de estireno **8** (que se usa sólo para fines de envío) ubicado entre la mesa y el motor (Fig. 4). Puede causar daños al sistema de elevación de la hoja si intenta subir la hoja sin haber quitado la espuma de estireno.



Ensamblaje

INSTALACIÓN DEL SISTEMA DE PROTECTOR INTELIGENTE SMART GUARD

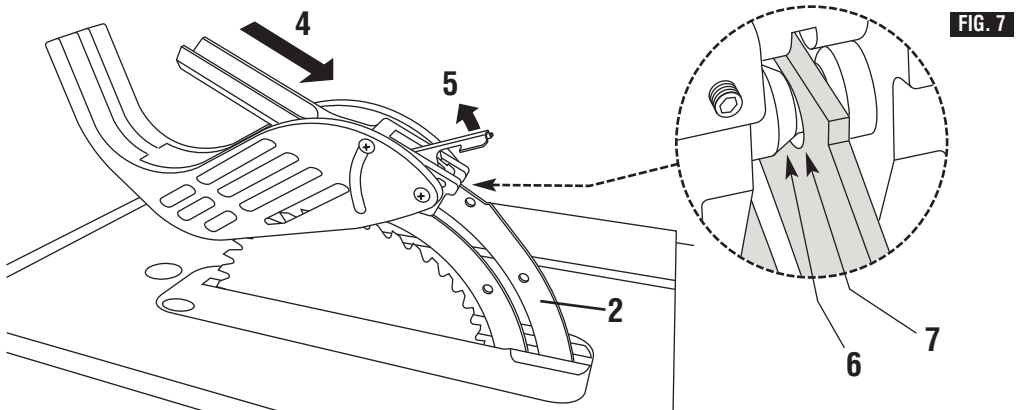
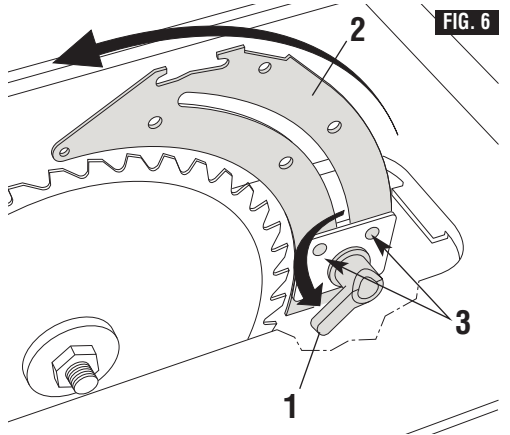
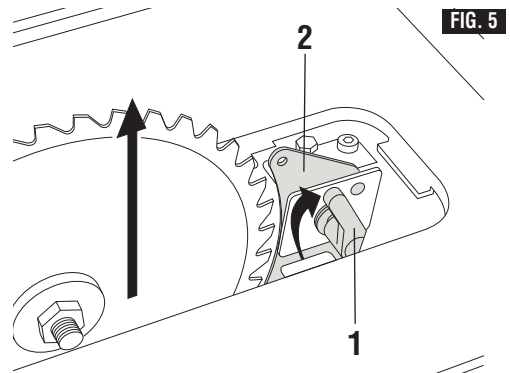
⚠ ADVERTENCIA Para evitar lesiones corporales, desconecte siempre el enchufe de la fuente de energía antes de instalar o retirar el sistema de protector inteligente Smart Guard.

POSICIONAMIENTO DE LA CUCHILLA SEPARADORA

1. Retire el accesorio de inserción de la mesa utilizando el agujero para el dedo.
2. Suba la hoja tanto como se pueda y ajústela perpendicular a la mesa (0° en la escala de bisel) (Fig. 5).
3. Gire la palanca de liberación de la cuchilla separadora **1** en el sentido de las agujas del reloj para que señale hacia arriba (Fig. 5).
4. Tire de la cuchilla separadora **2** hacia la palanca de liberación para desacoplarla de las espigas **3**. (Fig. 6)
5. Deslice la cuchilla separadora **2** hacia arriba hasta su posición más alta, de manera que esté directamente sobre el centro de la hoja (Fig. 6).
6. Alinee los agujeros de la cuchilla separadora con las espigas **3** y bloquee la palanca de liberación **1** girándola en sentido contrario al de las agujas del reloj. Empuje la cuchilla separadora y tire de ella para verificar que está bloqueada en la posición correcta (Fig. 6).
7. Coloque de nuevo el accesorio de inserción de la mesa (Fig. 7).

INSTALACIÓN DEL ENSAMBLAJE DEL PROTECTOR

8. Con una mano, sujete la parte delantera del ensamblaje del protector de barrera **4** por la "horquilla" metálica. Con la otra mano, sujete la palanca de liberación del protector **5** hacia arriba (Fig. 7).
9. Baje la parte trasera del ensamblaje del protector y deslice la barra transversal **6** al interior de la muesca trasera **7** ubicada en la parte de arriba de la cuchilla separadora **2** (Fig. 7).



10. Baje la parte delantera del ensamblaje del protector **4** hasta que la "horquilla" metálica esté paralela a la mesa (Fig. 8).
11. Presione hacia abajo sobre la palanca de liberación del protector **5** hasta que note y oiga que se acopla a presión en la posición de fijación. Asegúrese de que el ensamblaje del protector esté conectado de manera segura (Fig. 8).

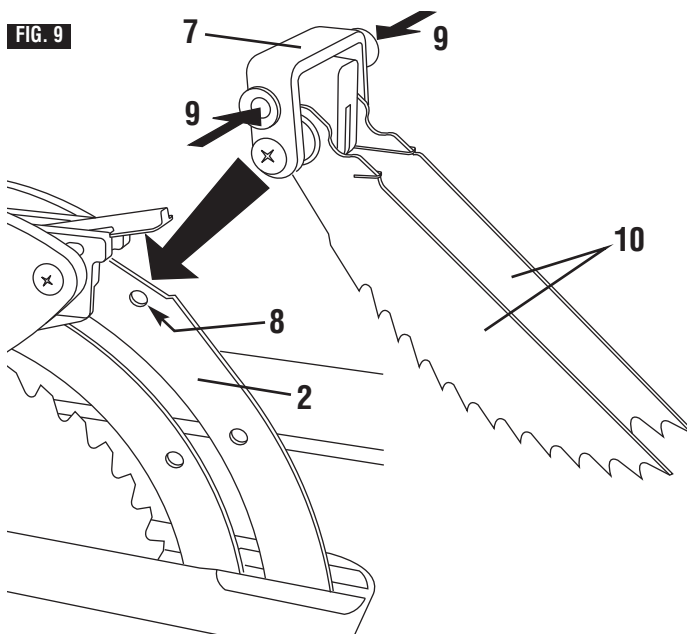
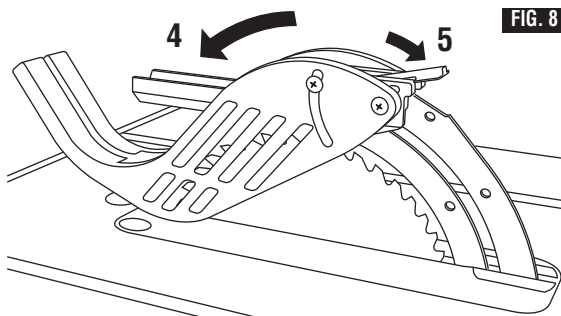
INSTALACIÓN DEL DISPOSITIVO ANTIRRETROCESO

12. Instale el dispositivo antirretroceso **7** en el área rebajada plana **8** de la cuchilla separadora **2** (Fig. 9).
13. Oprima las almohadillas de compresión **9** mientras acomoda el dispositivo en el área plana (Fig. 9).
14. Suelte las almohadillas de compresión para que el dispositivo antirretroceso se bloquee sobre la cuchilla separadora

inmediatamente detrás del ensamblaje del protector. Asegúrese de que la espiga de sujeción esté conectada de manera segura en el agujero de fijación. Suba y baje cuidadosamente los trinquetes **10**. Cuando los suelte, los trinquetes accionados por resorte deben bajar y entrar en contacto con el accesorio de inserción de la mesa (Fig. 9).

Consejo: Posicione el dispositivo antirretroceso detrás del área rebajada plana y deslícelo hacia la parte delantera hasta que caiga en el área rebajada. Luego, suelte las espigas de compresión.

Nota: Las dos instalaciones son independientes una de la otra, por lo que el dispositivo antirretroceso se puede instalar antes que el ensamblaje del protector.



CAMBIO DE LA HOJA

ADVERTENCIA Para evitar lesiones personales, desconecte siempre el enchufe de la fuente de energía antes de cambiar las hojas.

UTILIZACIÓN DE LA HOJA CORRECTA

IMPORTANTE: La hoja de sierra suministrada en esta herramienta tiene una anchura de sección de corte de 0.128 pulgadas en las puntas de carburo y un grosor de placa (cuerpo) de 0.086 pulgadas. Cuando busque una hoja de repuesto, seleccione una que tenga dimensiones próximas a las de la hoja original. Es posible que esta información no esté impresa en el paquete de la hoja. Si no lo está, consulte el catálogo o el sitio Web del fabricante. Bosch ofrece una extensa línea de hojas de sierra profesionales de alta calidad que cumplen con los requisitos de esta herramienta. Usted debe seleccionar una hoja con una anchura de sección de corte de 0.092 pulgadas o más y un grosor de placa (cuerpo) de 0.088 pulgadas o menos.

ADVERTENCIA Para reducir el riesgo de lesiones, no utilice hojas de sierra con sección de corte extradelgada. La sección de corte de la hoja debe ser más ancha que 0.092 pulgadas. Las hojas de sierra con sección de corte extradelgada (menos de 0.092 pulgadas) pueden hacer que la pieza de trabajo se atore contra la cuchilla separadora durante la realización del corte. Se recomienda que la sección de corte de la hoja de repuesto utilizada en esta sierra sea de 0.092 pulgadas o más.

ADVERTENCIA Para reducir el riesgo de lesiones, no use hojas de sierra hechas con una placa de cuerpo gruesa. Si el grosor de la placa de la hoja de sierra de repuesto es mayor de 0.088 pulgadas, la cuchilla separadora no serviría adecuadamente como un auxiliar para reducir el retroceso. El grosor de la placa de la hoja de repuesto debe ser menos de 0.088 pulgadas.

ADVERTENCIA Para reducir el riesgo de lesiones, no use "amortiguadores," "estabilizadores" o "collarines rigidizadores" de la hoja a ambos lados de una hoja de repuesto. Estos dispositivos son placas metálicas que se posicionan contra los lados de la hoja para reducir la desviación que puede ocurrir cuando se utilizan hojas de sierra delgadas. La utilización de estos dispositivos a ambos lados evitará que la hoja se alinee apropiadamente con la cuchilla separadora, lo cual puede atorar la pieza de trabajo durante la realización del corte. Se puede colocar una placa "estabilizadora" solamente contra el lado exterior de una hoja de repuesto delgada. Estas placas no se requieren con la hoja Bosch suministrada.

1. Gire la rueda de elevación en el sentido de las agujas del reloj hasta que la hoja esté tan alta como se pueda y retire el accesorio de inserción de la mesa **1** utilizando el agujero para el dedo (Fig. 11).
2. Suba la palanca de fijación del eje portaherramienta **2** y gire lentamente la hoja a mano hasta que el cierre acople completamente el eje portaherramienta de la sierra y detenga la rotación (Fig. 11). Afloje la tuerca del eje portaherramienta

3 en sentido contrario al de las agujas del reloj con la llave de tuerca del eje portaherramienta **4** suministrada (Fig. 12). Ponga la llave de tuerca a un lado, siga aflojando la tuerca del eje portaherramienta **3** a mano y quite dicha tuerca del eje portaherramienta **3** y la arandela exterior **5**. Una vez que haya hecho esto, la hoja podrá quitarse o instalarse deslizándola hacia adentro o hacia afuera del eje portaherramienta.

FIG. 10

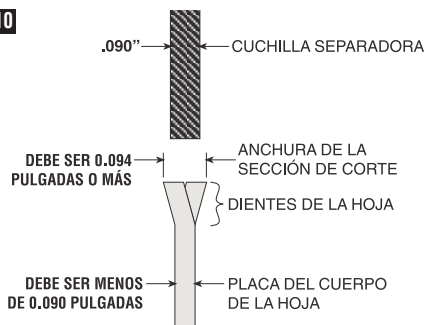


FIG. 11

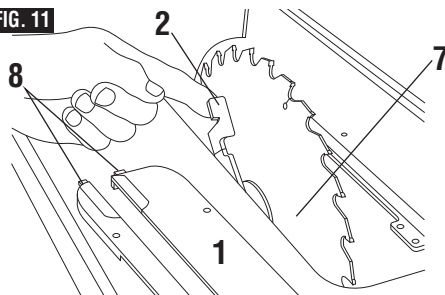
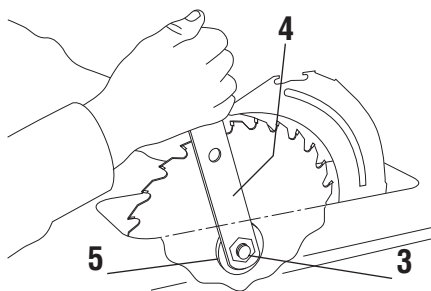


FIG. 12



3. Ensamble la arandela interior **7** y la hoja nueva de la manera que se muestra en la figura 13, asegurándose de que los DIENTES DE LA HOJA ESTEN ORIENTADOS HACIA ABAJO EN LA PARTE DELANTERA DE LA MESA.

NOTA: La impresión que se encuentra en las distintas hojas de sierra no está siempre en el mismo lado.

4. Ensamble la arandela exterior **5** y la tuerca del eje portaherramienta **3** de la manera que se muestra en la figura 13. Mientras sube la palanca de fijación del eje portaherramienta **2**, apriete firmemente la tuerca del eje portaherramienta **3** en el sentido de las agujas del reloj con la llave de tuerca **4** suministrada (Fig. 12).

5. Posicione el accesorio de inserción de la mesa en el bolsillo de la mesa, de manera que las lengüetas **6** del accesorio de inserción **1** estén en las ranuras del bolsillo de la mesa, y empuje hacia abajo para fijarlo en su sitio.

COLOCACIÓN DEL TOPE-GUÍA PARA CORTAR AL HILO

1. Suba el mango del tope-guía para cortar al hilo **1** tal como se muestra en la ilustración (Fig. 13), de manera que la abrazadera de sujeción **2** quede lo suficientemente hacia afuera como para acoplarse sobre la mesa **3** y en la ranura en "V" ubicada en la parte posterior del riel trasero.
2. Posicione el tope-guía para cortar al hilo **4** sobre la mesa **3** sujetando hacia arriba el extremo delantero, acople primero la abrazadera de sujeción **2** con el riel trasero
3. Luego baje el extremo delantero hasta el riel delantero **5**.

MONTAJE DE LA SIERRA DE MESA

Si la sierra de mesa se va a utilizar en un lugar permanente, se debe sujetar firmemente a una superficie de soporte firme tal como una base o un banco de trabajo utilizando los cuatro agujeros de montaje **6**, dos de los cuales se muestran (Fig. 15).

1. Si va a montar la sierra de mesa en un banco de trabajo, la base se debe empornar firmemente utilizando pernos hexagonales de 5/16" (no incluidos) a través de los agujeros de montaje **6** provistos.

Consejo: Si el banco de trabajo mide 3/4" de grosor, los pernos tendrán que medir al menos 3-1/2" de longitud. Si el banco de trabajo mide 1-1/2" de grosor, los pernos deberán medir al menos 4-1/2" de longitud.

2. Localice y marque la ubicación en la que se va a montar la sierra, relativa a los agujeros de la base de la herramienta.
3. Taladre cuatro (4) agujeros de 3/8" de diámetro que atraviesen el banco de trabajo.
4. Coloque la sierra de mesa sobre el banco de trabajo, alineando los agujeros de la base con los agujeros taladrados en el banco de trabajo.
5. Inserte cuatro (4) pernos de 5/16" de diámetro a través de los agujeros de la base y la superficie de soporte; luego, sujételos firmemente con (4) arandelas planas de 5/16" y (4) tuercas hexagonales de 5/16".

FIG. 13

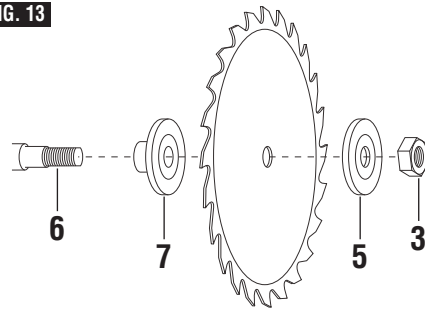


FIG. 14

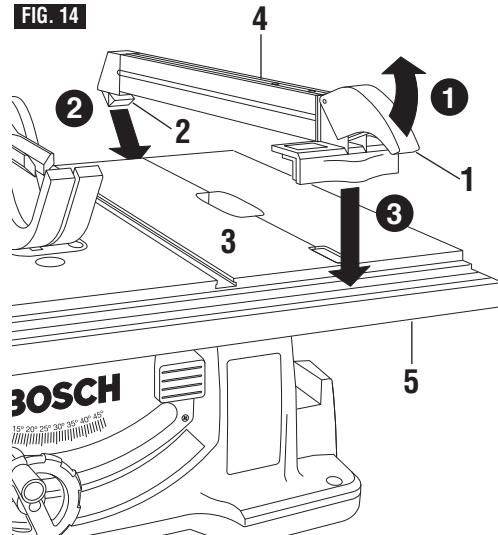
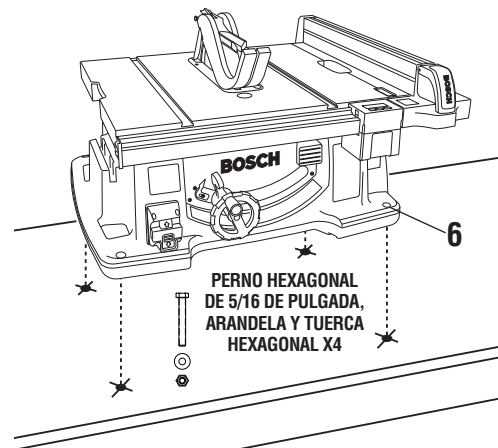


FIG. 15



Ajustes

AJUSTE DE LOS TOPES POSITIVOS DE 90 Y 45 GRADOS

La sierra está equipada con topes positivos para posicionar rápidamente y con precisión la hoja de sierra a 90 y 45 grados respecto a la mesa.

⚠ ADVERTENCIA Para evitar lesiones personales, desconecte siempre el enchufe de la fuente de energía al realizar ajustes.

1. Gire la rueda de elevación **2** en el sentido de las agujas del reloj y suba la hoja hasta la altura máxima (Fig. 16).

AJUSTE DEL TOPE POSITIVO DE 0 GRADOS:

2. Afloje el mango de fijación de la inclinación de la hoja **1**, empuje la rueda de elevación **2** hacia la izquierda tanto como sea posible y apriete el mango de fijación de la inclinación de la hoja **1** (Fig. 16).
3. Coloque una escuadra de combinación sobre la mesa con un extremo de la escuadra contra la hoja, de la manera que se muestra en la ilustración (Fig. 17), y compruebe si la hoja está a 90 grados respecto a la mesa. Si la hoja no está a 90 grados respecto a la mesa, afloje el mango de fijación de la inclinación de la hoja **1**, afloje el tornillo de ajuste de 90 grados **4**, afloje la leva del tope de bisel de 90 grados **5** y empuje la rueda de elevación hasta que la hoja esté a 90 grados respecto a la mesa.
4. Apriete el mango de fijación de la inclinación de la hoja **1**, gire la leva del tope de bisel **5** hasta que toque la carcasa del tope de bisel **7** y luego apriete el tornillo de ajuste de 90 grados **3**.
5. Afloje el tornillo de ajuste **6** y ajuste el indicador **3** para que señale 0 grados en la escala de bisel.

AJUSTE DEL TOPE POSITIVO DE 45 GRADOS:

6. Afloje el mango de fijación de la inclinación de la hoja **1**, empuje la rueda de elevación **2** hacia la derecha tanto como sea posible y apriete el mango de fijación de la inclinación de la hoja **1**.
7. Coloque una escuadra de combinación sobre la mesa con un extremo de la escuadra contra la hoja, de la manera que se muestra en la ilustración (Fig. 18) y compruebe si la hoja está a 45 grados respecto a la mesa. Si la hoja no está a 45 grados respecto a la mesa, afloje el mango de fijación de la inclinación de la hoja **1**, afloje el tornillo de ajuste de 45 grados **8**, afloje la leva del tope de bisel de 45 grados **9** y empuje la rueda de elevación hasta que la hoja esté a 45 grados respecto a la mesa.
8. Apriete el mango de fijación de la inclinación de la hoja **1**, gire la leva del tope de bisel de 45 grados **9** hasta que toque la carcasa del tope de bisel **7** y luego apriete el tornillo de ajuste de 45 grados **8**.

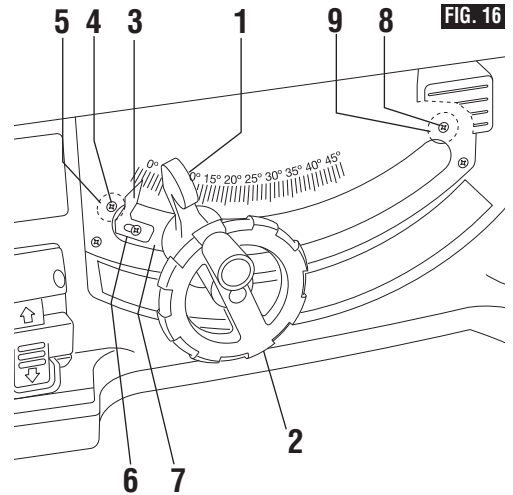


FIG. 16

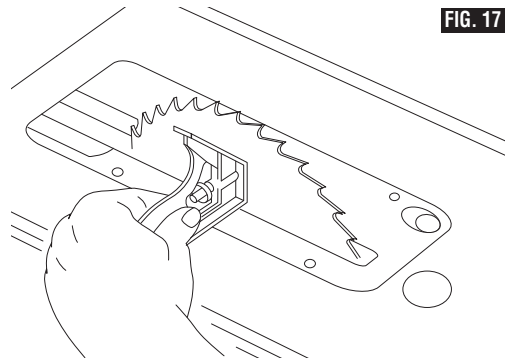


FIG. 17

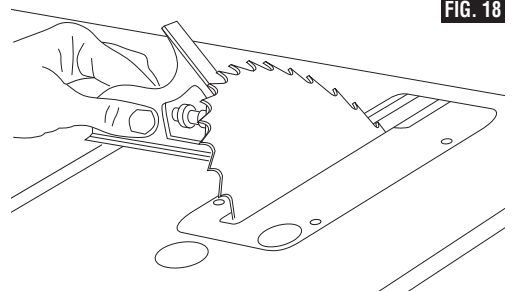


FIG. 18

AJUSTE DE LA HOJA PARALELA A LAS RANURAS DEL CALIBRE DE INGLETES

La hoja se ajustó en fábrica paralela a las ranuras del calibre de ingletes. Para asegurarse de que se realizan cortes precisos y para ayudar a evitar el retroceso, este ajuste se debe volver a comprobar. Si se necesita realizar un ajuste, siga los pasos que se indican a continuación.

⚠ ADVERTENCIA Para evitar lesiones personales, desconecte siempre el enchufe de la fuente de energía antes de realizar cualquier ajuste.

1. Gire la rueda de elevación y suba la hoja tan alto como se pueda.
2. Seleccione un diente en la parte posterior de la hoja de sierra que se encuentre triscado hacia la izquierda según se mira a la hoja desde la parte delantera de la sierra y marque **1** este diente con un lápiz (Fig. 19).
3. Coloque la base de una escuadra de combinación contra el borde de la ranura del calibre de ingletes y extienda la regla corrediza de la escuadra de manera que apenas toque el diente marcado.
4. Gire la hoja y compruebe el mismo diente marcado de la hoja en la parte delantera de la mesa de sierra (Fig. 19).
5. Si las medidas delantera y trasera, que se muestran en la Figura 19, no son idénticas, afloje los cuatro pernos de alineación **2**, ubicados en el lado inferior de la mesa, en la parte delantera y trasera de la sierra, con la llave hexagonal suministrada con la sierra (Fig. 20 y 21). Mueva cuidadosamente la hoja de sierra hasta que esté paralela a la ranura del calibre de ingletes y apriete firmemente los cuatro pernos.

FIG. 19

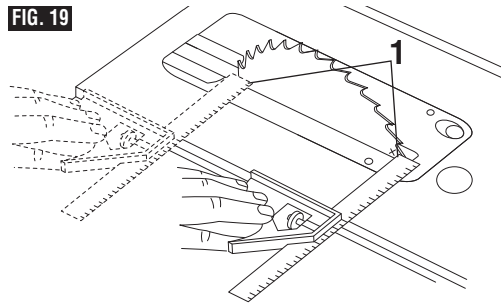


FIG. 20

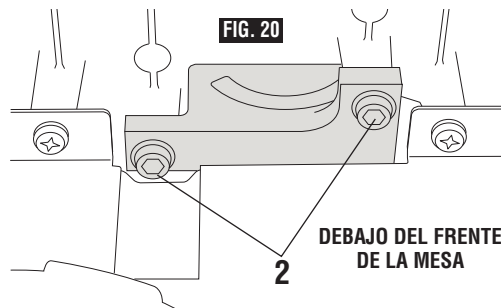
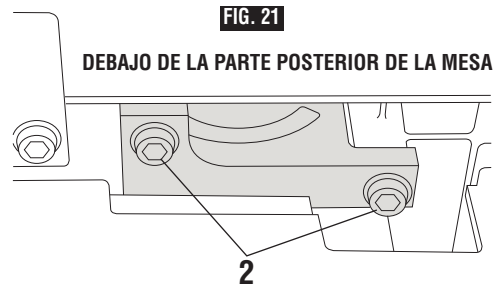


FIG. 21



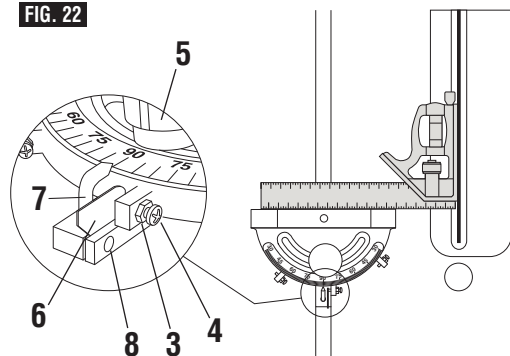
AJUSTE DEL CALIBRE DE INGLETES

Para comprobar la precisión del calibre de ingletes, mueva el calibre de ingletes en línea con la hoja y use una escuadra de combinación para asegurarse de que el cuerpo del calibre de ingletes esté a 90 grados respecto a la hoja (Fig. 22).

Para ajustar el calibre de ingletes a 90 grados:

1. Afloje la tuerca de fijación **3**, el tornillo de ajuste **4** y el pomo de fijación **5**.
2. Voltee la placa de tope **6** hacia abajo.
3. Gire el cuerpo del calibre de ingletes hasta que esté a 90 grados respecto a la hoja.
4. Apriete el pomo de fijación **5**.
5. Voltee la placa de tope **6** hacia arriba y apriete el tornillo de ajuste **4** hasta que entre en contacto con la placa de tope **6**.
6. Apriete la tuerca de fijación **3**.
7. Si el indicador **7** no está señalando 90 grados, afloje el tornillo de ajuste **8** ubicado en el lado de la barra del calibre de ingletes y gire el indicador **7** hasta la marca de 90 grados. Apriete el tornillo de ajuste **8**.
8. Para ajustar el calibre de ingletes a 45 grados a la izquierda y a la derecha, repita los pasos 1-6, pero use los topes de 45 grados.

FIG. 22



ALINEACIÓN DEL TOPE-GUÍA PARA CORTAR AL HILO

▲ ADVERTENCIA Para evitar lesiones personales, desconecte siempre el enchufe de la fuente de energía antes de realizar cualquier ajuste. El tope-guía para cortar al hilo debe estar paralelo a la HOJA DE SIERRA para evitar el RETROCESO al cortar al hilo.

La sierra de mesa está equipada con un tope-guía para cortar al hilo de alineación automática y colocación rápida. Una vez que se han realizado los ajustes que se describen a continuación, el tope-guía para cortar al hilo se autoalineará cuando el tope-guía se encuentre fijo en su posición.

NOTA: La hoja debe estar paralela a las ranuras del calibre de ingletes, consulte la página 103 y perpendicular a la mesa antes de proceder a realizar la alineación del tope-guía para cortar al hilo.

▲ ADVERTENCIA Para evitar lesiones personales, asegúrese siempre de que el tope-guía para cortar al hilo esté fijo antes de utilizarlo cuando vaya a hacer cortes al hilo.

1. Levante ambas barreras del protector 2 hasta su posición bloqueada hacia arriba.
2. Suba el mango de fijación 1 y deslice el tope-guía 3 hasta que esté junto a la hoja de sierra, levantando el trinquete del lado derecho 4 por encima del tope-guía (Fig. 23).

El tope-guía debe tocar los dientes de la hoja en la parte delantera y en la parte trasera de la hoja. Si el tope-guía no toca los dientes en la parte delantera y en la parte trasera de la hoja, continúe con los pasos siguientes:

3. Afloje los dos tornillos 5 que están en la sección delantera superior del tope-guía para cortar al hilo.
4. Mueva el tope-guía 3 hasta que toque los dientes y esté paralelo a la hoja.
5. Sujete el tope-guía en su sitio, baje el mango de fijación, asegúrese de que el tope-guía haya permanecido paralelo a la hoja y luego apriete los tornillos (Fig. 23).
6. Fije con abrazaderas el tope-guía para cortar al hilo con el fin de comprobar si se mantiene sujeto firmemente en las partes anterior y posterior. Si la parte anterior no está sujeta firmemente, suelte el tope-guía y gire el tornillo de ajuste de la abrazadera posterior 6 en el sentido de las agujas del reloj para aumentar la sujeción. Intente fijar el tope-guía para verificar si se alinea automáticamente y se fija firmemente en las partes anterior y posterior. El apretar demasiado el tornillo de ajuste de la abrazadera trasera 6 hará que el tope-guía para cortar al hilo no se alinee automáticamente (Fig. 23).

AJUSTE DEL INDICADOR DEL TOPE-GUÍA PARA CORTAR AL HILO

La distancia desde el cuerpo del tope-guía para cortar al hilo hasta la hoja cuando se corte al hilo en el lado derecho de la hoja se determina alineando el indicador 7 con la dimensión deseada en la escala 8 (Fig. 24).

PARA AJUSTAR EL INDICADOR DEL TOPE-GUÍA PARA CORTAR AL HILO:

1. Suba ambos protectores de barrera 2 hasta su posición bloqueada hacia arriba (Fig. 23).

2. Suba el mango de fijación 1 y deslice el tope-guía 3 hasta que esté junto al lado de la hoja de sierra, subiendo el trinquete del lado derecho 4 por encima del tope-guía (Fig. 23).
3. Afloje el tornillo de ajuste del indicador 9, ajuste el indicador 7 a la marca de "0" de la escala inferior 8 y luego reapriete el tornillo 9 (Fig. 24).

FIG. 23

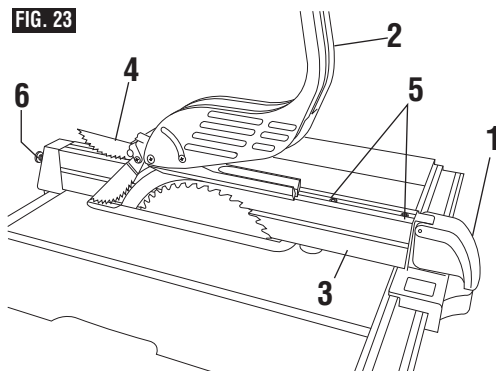
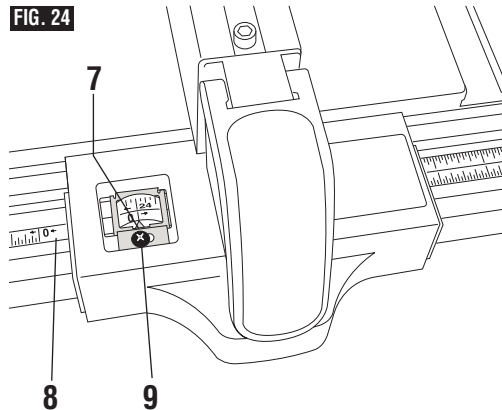


FIG. 24



AJUSTE DEL INDICADOR DE LA MESA

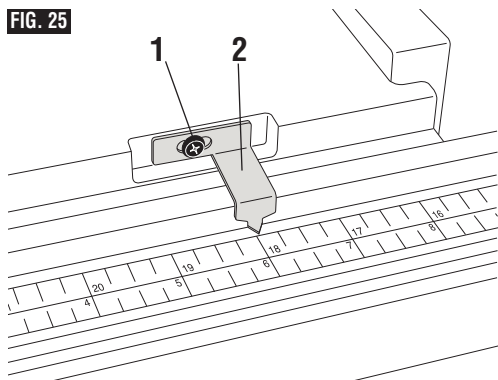
Si es necesario hacer algún ajuste del indicador de la mesa, afloje el tornillo de ajuste del indicador **1**, ajuste el indicador **2** y apriete el tornillo **1** (Fig. 25).

El indicador de la mesa debe estar ajustado siempre relativo al indicador del tope-guía.

1. Ajuste el indicador del tope-guía a cero.
2. Deslice el tope-guía hasta que llegue a la placa de tope **7** que está en el riel delantero y fije el tope-guía en su sitio.
3. Mire al indicador del tope-guía para ver la distancia que se ha movido en la escala inferior (en o cerca de 13.5").
4. Ajuste el indicador de la mesa **2** para que tenga la misma lectura en la escala superior que la que se muestra en el indicador del tope-guía. Ambos indicadores deben coincidir cuando el tope-guía esté en esta posición.

Ejemplo: Si el indicador del tope-guía está a 13-9/16", entonces el indicador de la mesa también se debe ajustar a 13-9/16".

FIG. 25



AJUSTE DEL ACCESORIO DE INSERCIÓN DE LA MESA

El accesorio de inserción de la mesa incluye cuatro (4) tornillos de ajuste **3** para ajustar la altura (Fig. 26). Coloque el accesorio de inserción sobre la mesa. Coloque una regla recta (como por ejemplo la regla metálica de una escuadra de combinación) transversalmente al tablero de la mesa y a la parte de arriba del accesorio de inserción de la mesa. Las superficies deberían estar al mismo nivel. Si es necesario realizar algún ajuste, use un destornillador de estrella pequeño para girar cada tornillo.

FIG. 26

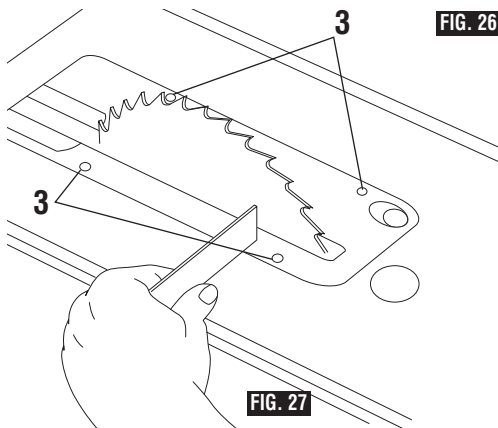


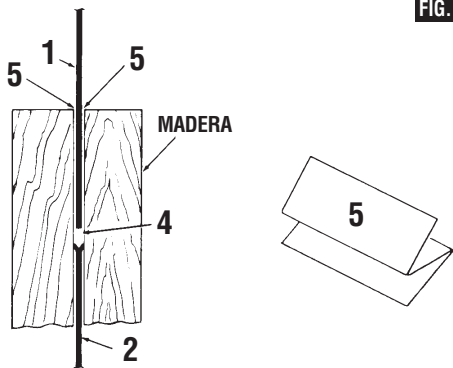
FIG. 27

ALINEACIÓN DE LA CUCHILLA SEPARADORA

IMPORTANTE: La cuchilla separadora **1** debe estar siempre en línea con la hoja de sierra **2**. La cuchilla separadora **1** es más delgada que la anchura de la sección de corte **4** aproximadamente tres grosores de papel **5** en cada lado (Fig. 27). **Nota:** La sección de corte es la anchura del corte hecho por los dientes de la hoja de sierra.

ADVERTENCIA Para evitar lesiones corporales, desconecte siempre el enchufe de la fuente de alimentación antes de hacer cualquier ajuste y cuando instale o retire el sistema de protector inteligente Smart Guard.

FIG. 27



VISTA HACIA ABAJO SOBRE LA SIERRA

COMPROBACIÓN DE LA ALINEACIÓN DE LA CUCHILLA SEPARADORA

NOTA: La cuchilla separadora ha sido alineada apropiadamente en la fábrica. Compruebe la alineación antes de realizar cualquier ajuste.

1. Suba la hoja de la sierra hasta la altura máxima y ajuste el ángulo de bisel a 0°.
2. Retire el ensamblaje del protector de barrera y el dispositivo antirretroceso (consulte el manual).
3. Coloque el tope-guía para cortar al hilo **3** en el lado derecho y deslícelo hasta que toque las puntas de la hoja de la sierra **2**. Bloquee el tope-guía.
4. Compruebe la alineación:
 - A. Desde la parte de arriba, mire hacia abajo sobre el tope-guía y asegúrese de que la cuchilla separadora esté en línea (de delante atrás) con la hoja y paralela al tope-guía.
 - B. Deslice el tope-guía alejándolo de la hoja. Mire sobre la parte delantera de la hoja y compruebe que la cuchilla separadora esté en línea con la hoja.
 - C. Si los pasos A o B muestran desalineación, vaya a "Ajuste de la cuchilla separadora".

AJUSTE DE LA CUCHILLA SEPARADORA

1. Suba la hoja de la sierra **2** hasta la altura máxima y ajuste el ángulo de bisel a 0°.
2. Retire el ensamblaje del protector de barrera y el dispositivo antirretroceso (consulte el manual).
3. Retire el inserto de la mesa.
4. Coloque el tope-guía para cortar al hilo **3** en el lado derecho y deslícelo hasta que toque las puntas de la hoja de sierra **2**. Bloquee el tope-guía.
5. Afloje la tuerca hexagonal **6** con la llave de boca abierta de 10 mm (Fig. 28). Afloje ligeramente los tornillos de sujeción **8** (de 1/4 de vuelta a 1/2 vuelta) utilizando una llave Allen de 5 mm suministrada con la sierra de mesa (almacenada en el lado derecho de la base). Afloje el tornillo de ajuste **7** utilizando un destornillador plano (Fig. 28).
6. Haga dos pliegues en un pedazo de papel pequeño (6 x 6 pulgadas [15,2 x 15,2 cm]) formando tres capas (Fig. 27). El papel **5** se utiliza como "calibre espaciador".

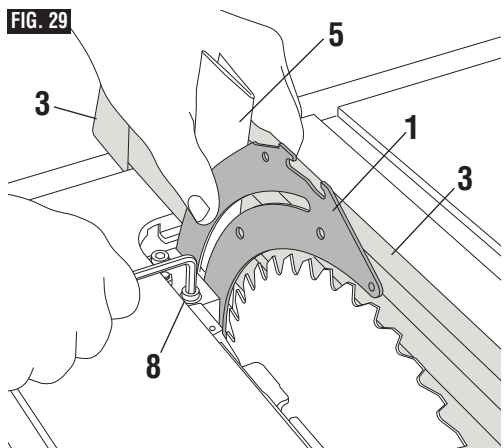
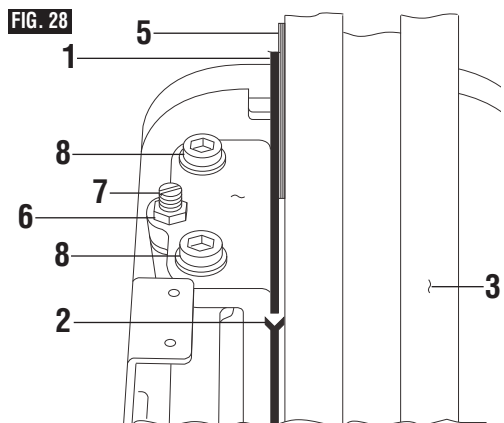
NOTA: Las instrucciones de separación que anteceden están basadas en la utilización de una hoja con sección de corte estándar (sección de corte de 0.128 pulgadas en la hoja Bosch incluida). Si se utiliza una hoja con una sección de corte más pequeña, ajuste el espaciador de papel. Por ejemplo, si la sección de corte de la hoja de repuesto se aproxima a 0.100 pulgadas, use 1 grosor de papel como espaciador; y si la sección de corte se aproxima a 0.110 pulgadas, use 2 grosores.

7. Inserte el papel doblado **5** entre la cuchilla separadora **1** y el tope-guía **3**.
 - A. Sujete la cuchilla separadora y el papel firmemente contra el tope-guía (Fig. 28 y 29).
 - B. Apriete ligeramente los tornillos de sujeción **8**.

- C. Retire el papel. Deslice el tope-guía alejándolo de la hoja.
- D. Gire lentamente el tornillo de ajuste **7** mientras observa como la cuchilla separadora se inclina hasta que esté en línea con la hoja.

- E. Compruebe de nuevo si la cuchilla separadora está en ángulo recto con la mesa, deslizando el tope-guía contra la hoja. Si es necesario, reajuste la cuchilla.
8. Después de completar los ajustes:
 - A. Apriete ligeramente la tuerca hexagonal **6** (mantenga la posición del tornillo de ajuste con el destornillador mientras aprieta la tuerca).
 - B. Apriete completamente los tornillos de sujeción **8** con la llave Allen. Luego, apriete completamente la tuerca hexagonal.

NOTA: Asegúrese de que la cuchilla separadora permanezca en línea con la hoja cuando ésta se encuentre inclinada a cualquier ángulo. Reemplace el ensamblaje del protector de barrera y el dispositivo antirretroceso antes de realizar cortes.



Funcionamiento básico de la sierra de mesa

INTERRUPTOR DE ENCENDIDO DE SEGURIDAD

NOTA: Esta sierra de mesa tiene un dispositivo de seguridad que ayuda a evitar el arranque accidental.

Para encender la sierra, suba la palanca del interruptor pellizcando las paredes laterales y tirando hacia arriba. Esta acción arranca la sierra (Fig. 30).

Para apagar la sierra, empuje la palanca del interruptor hacia abajo hasta su posición original (Fig. 31).

El interruptor puede acomodar un candado con una barra larga de 3/16" de diámetro (no suministrado con la sierra de mesa) para evitar el uso no autorizado (Fig. 31).

SISTEMA DE PROTECTOR INTELIGENTE SMART GUARD

El sistema de protector inteligente Smart Guard de Bosch ha sido diseñado para brindar modularidad, lo cual permite usar múltiples combinaciones de los tres componentes principales: Los protectores de barrera principales, el dispositivo antirretroceso y la cuchilla separadora. Además, la cuchilla separadora se puede ajustar rápidamente a tres posiciones (alta, intermedia y almacenada), dependiendo del requisito de la aplicación.

PIEZAS COMPONENTES (FIGURA 32):

1 Cuchilla separadora

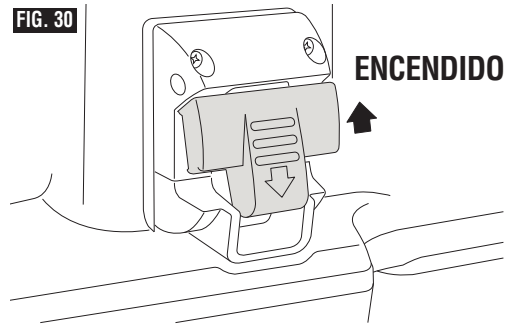
La cuchilla separadora es el elemento central del sistema de protección de la hoja Smart Guard de Bosch y sirve como punto de sujeción tanto para el protector de barrera principal como para el dispositivo antirretroceso. En caso de que el protector de barrera principal y el dispositivo antirretroceso se hayan quitado, la cuchilla separadora mantiene su funcionalidad como separadora de material y es ajustable en tres posiciones. Debido a esta ajustabilidad, la cuchilla separadora se puede posicionar apropiadamente para todas las aplicaciones de corte.

2 Protector de barrera principal

El protector principal comprende un par de barreras de plástico sujetas al protector de barrera superior de metal. Las barreras laterales (una a la izquierda y una a la derecha de la hoja) funcionan independientemente una de otra, manteniendo la máxima cobertura de la hoja durante las operaciones de corte. El protector principal incorpora un punto de sujeción de conexión rápida y se puede instalar en el sistema de protección de la hoja o se puede desinstalar del mismo independientemente del dispositivo antirretroceso y la cuchilla separadora.

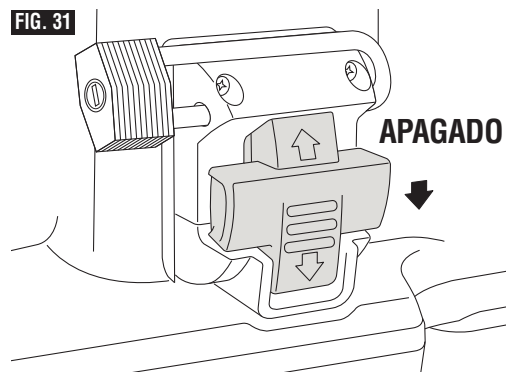
Nota: Para sujetar óptimamente el protector principal para transportar la herramienta, ajuste la hoja en su posición más baja. Esto mantiene el protector apretado contra la superficie de la mesa y evita los daños que se podrían producir si el protector se balanceara durante el transporte.

FIG. 30



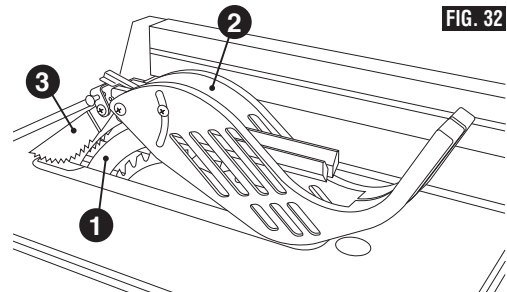
ENCENDIDO

FIG. 31



APAGADO

FIG. 32



3 Dispositivo antirretroceso

En caso de retroceso, el dispositivo antirretroceso (que se conoce también como retenedores o trinquetes) está diseñado para ayudar a evitar que la tabla sea lanzada en dirección al usuario. Los dientes afilados de los trinquetes están diseñados para "atrapar" el material en caso de retroceso.

INSTALACIÓN/DESINSTALACIÓN

(consulte la páginas 98 y 99 para obtener instrucciones detalladas) Los tres componentes principales del sistema de protección de la hoja Smart Guard están diseñados para instalarse, ajustarse y/o retirarse rápidamente sin necesidad de herramientas adicionales.

El componente que consiste en el protector de barrera principal se puede instalar y desinstalar rápidamente mediante el uso de una palanca de liberación rápida. El protector se instala asentando la barra transversal en la parte de arriba de la cuchilla separadora y acoplando la palanca de fijación. Siguiendo este proceso a la inversa, el protector se puede retirar fácilmente para realizar operaciones especiales, tales como cortar mortajas o rebajos.

El dispositivo antirretroceso se puede instalar fácilmente alineando la espiga de sujeción con el agujero ubicado en la parte de atrás de la cuchilla separadora. Dicho dispositivo se puede quitar fácilmente oprimiendo las almohadillas de compresión ubicadas a ambos lados del dispositivo antirretroceso y levantando el dispositivo.

La cuchilla separadora se puede ajustar fácilmente en una de tres alturas retirando el accesorio de inserción de la mesa, subiendo la hoja hasta su altura máxima y soltando la palanca de liberación de la cuchilla separadora ubicada en la base de dicha cuchilla. La cuchilla separadora se debe bloquear en su posición más alta para utilizarla con el protector de barrera principal y el dispositivo antirretroceso. Se puede ajustar hasta su posición intermedia para realizar cortes no pasantes y para utilizarse como separadora de material sin el protector de barrera principal y sin el dispositivo antirretroceso.

En caso de que la cuchilla separadora no se pueda utilizar para realizar un corte específico, se puede ajustar en su posición más baja, con lo que quedará colocada 1 pulgada por encima de la superficie de la mesa (mientras la hoja está a su altura máxima).

ALMACENAMIENTO DEL SISTEMA

Cuando no se estén utilizando, el protector de barrera principal y el dispositivo antirretroceso se pueden almacenar debajo de la extensión de la mesa del lado derecho.

⚠ ADVERTENCIA

Se recomienda enfáticamente utilizar todos los componentes del sistema Smart Guard, incluyendo el protector de barrera principal, el dispositivo antirretroceso y la cuchilla separadora, para proporcionar protección contra accidentes y lesiones.

1. Deslice el ensamblaje del protector de barrera principal (en posición invertida) hacia arriba y de vuelta al interior del soporte en U ubicado en el lado trasero derecho de la sierra (Fig. 33).
2. Pivote la parte trasera del protector hacia arriba y al interior del soporte de montaje delantero.
3. Bloquee el ensamblaje del protector de barrera principal en esa posición de la misma manera en que lo sujetaría a la cuchilla separadora (Fig. 34).
4. Sujete el dispositivo antirretroceso al soporte colgante de la misma manera en que se sujeta a la cuchilla separadora.

CONTROL DE INCLINACIÓN DE LA HOJA

Afloje el mango de fijación de la inclinación de la hoja 1 en sentido contrario al de las agujas del reloj (Fig. 35), deslice la rueda de elevación 2 hasta que el indicador 3 esté en el ángulo de-

seado y apriete el mango de fijación de la inclinación de la hoja 1 en el sentido de las agujas del reloj.

AJUSTE DE LA EXTENSIÓN DE LA MESA

Para extender la mesa, suba el mango de fijación de la extensión de la mesa 4 y deslice la extensión de la mesa 5 hasta el ancho deseado. Para fijar el ajuste de la mesa, baje el mango de fijación 4.

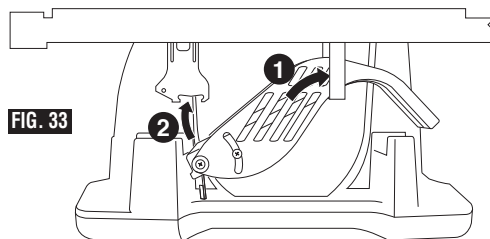


FIG. 33

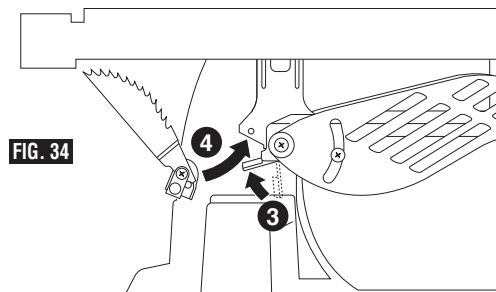


FIG. 34

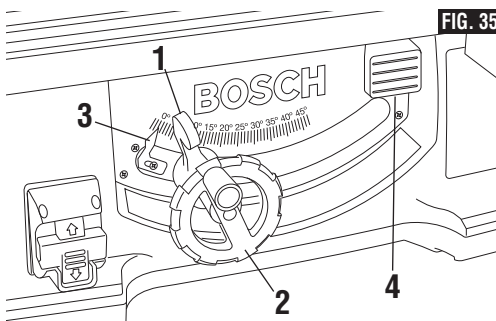


FIG. 35

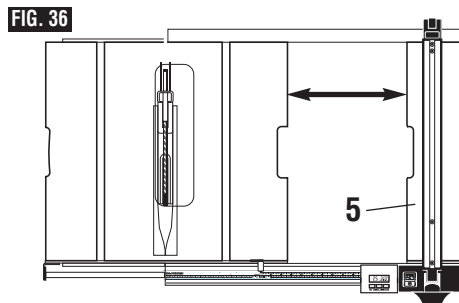


FIG. 36

**CARRO DIGITAL BOSCH
MODELO DC010**

(en la sierra de mesa modelo 4100DG-09)

El carro digital Bosch modelo DC010 es un accesorio de medición de precisión que se utiliza con el tope-guía para cortar al hilo de la sierra de mesa 4100. El carro digital mostrará con precisión la distancia entre la hoja de sierra y el lado de trabajo del tope-guía antes de que el operador haga un corte al hilo. La pantalla se puede ajustar para mostrar medidas en pulgadas (variaciones de 3 modos) o medidas métricas. La información digital mostrada en el carro es adicional a las medidas analógicas observadas donde el indicador del tope-guía o el indicador de la mesa se refiere a la escala en pulgadas ubicada en el riel delantero de la sierra de mesa. La sierra de mesa 4100 se puede preajustar para realizar cortes al hilo sin utilizar el carro digital. Consulte las páginas 113-114.

Nota: Este carro digital se utiliza únicamente cuando se realizan cortes al hilo y se debe colocar en la "posición de estacionamiento" más a la izquierda cuando la sierra se utilice para realizar otros tipos de cortes.

CARACTERÍSTICAS (VEA LAS FIGURAS 37 Y 38)

Botón ON/OFF (de encendido y apagado) 2: enciende y apaga la pantalla.

Botón UNITS (UNIDADES) 3: ajusta la unidad de medición de la pantalla.

Botón RESET (RESTABLECIMIENTO) 4: restablece la pantalla a medida cero.

Pantalla LCD 5: muestra las mediciones digitales y el estado de la batería.

Imanes 6: conectan el carro digital al lado del tope-guía 9 o la placa de estacionamiento 10.

Cubierta de la batería 7: (no mostrada) da acceso a la batería de 9 V.

Placa conectora 8: conecta el tope-guía para cortar al hilo de la sierra 9 al carro digital 1.

Placa de estacionamiento 10: sujeta el carro digital 1 cuando no se está utilizando.

**INSTALACIÓN DE LA BATERÍA DE 9 VOLTIOS
(VEA LAS FIGURAS 37 Y 38)**

El carro digital incluye una batería alcalina de 9 V. Saque la batería de su paquete. Deslice el carro digital hasta la "posición de estacionamiento" donde el imán izquierdo 6 está en contacto con la placa de estacionamiento 10. Posicione la sierra de mesa 4100 sobre su lado y con el carro digital apoyado sobre la placa de estacionamiento. Utilizando un destornillador, afloje el tornillo que sujeta la cubierta de la batería 7 (no mostrada) ubicada en la parte inferior. Quite la cubierta. El tornillo aflojado debe permanecer con la cubierta. Tire hacia fuera de los cables con el conector de la batería de 9 V con extremos de acoplamiento a presión y conecte la batería nueva presionando firmemente el conector sobre los terminales de la batería. Ponga la batería en su alojamiento y atornille la tapa de la batería de vuelta en su sitio.

Nota 1: El carro digital está diseñado para funcionar mejor cuando se utiliza una batería alcalina de 9 V de alta calidad.

Nota 2: Solamente cuando se instale una batería nueva, todos los segmentos gráficos de la pantalla LCD se encenderán (una prueba de visualización) durante un corto período de tiempo (5 segundos) y luego la pantalla cambiará al modo de 1/16 INCH (PULGADA) (modo preestablecido). La pantalla se puede apagar siguiendo las instrucciones para el botón ON/OFF (de encendido y apagado) que aparecen más adelante o simplemente no haga nada durante aproximadamente un minuto y la pantalla se apagará automáticamente.

FIG. 37

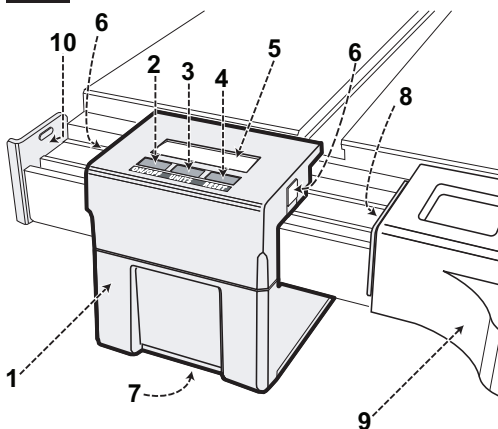


FIG. 38



PRUEBA DE VISUALIZACIÓN

BOTONES DE CONTROL Y PANTALLA BOTÓN ON/OFF (DE ENCENDIDO Y APAGADO) Y MEMORIA (vea la figura 39)

PARA ENCENDER LA PANTALLA:

Oprima firmemente el botón ON/OFF (de encendido y apagado) **2**. Nota: La pantalla del carro digital **5** mantiene una memoria del modo de unidades en el que estaba cuando se apagó la última vez. Al encenderla, la pantalla **5** mostrará la última medida en la que estaba cuando se usó previamente. Esta memoria es deseable debido a la función de apagado automático (vea más adelante), cuando el tope-guía guía se deja en una posición preestablecida y el usuario enciende de nuevo el carro para continuar el uso. Si el usuario desea comenzar de manera que la pantalla **5** muestre una medida de cero, entonces se utilizará el botón RESET (REESTABLECIMIENTO).

PARA APAGAR LA PANTALLA:

Oprima firmemente y mantenga oprimido el botón ON/OFF (de encendido y apagado) **2**. Para evitar apagar accidentalmente la pantalla, es necesario mantener oprimido el botón durante un tiempo de 2 a 3 segundos. La memoria del sistema recordará el último modo y la última medida cuando se apague la pantalla.

APAGADO AUTOMÁTICO

Hay una función de apagado automático, que se ha incluido para conservar la vida de la batería. Si no hay actividad de movimiento del carro digital o de pulsación de cualquiera de los botones de función, la pantalla se apagará automáticamente en aproximadamente 1 minuto.

NOTA: El carro digital recordará la última medida en la que se le haya dejado cuando ocurra el apagado automático. Para encender de nuevo la pantalla, oprima el botón ON/OFF (de encendido y apagado).

BOTÓN UNITS (UNIDADES) (vea las figuras 39 y 40)

El carro digital mostrará uno de los 4 modos de medición. Cada modo utiliza una unidad de medida diferente:

- 1) Modo **1/32 INCH** (PULGADA) (fraccional): a medida que el carro se mueve, el valor mostrado en la pantalla aumenta o disminuye en un 1/32 de pulgada
- 2) Modo **1/16 INCH** (PULGADA) (fraccional): a medida que el carro se mueve, el valor mostrado en la pantalla aumenta o disminuye en un 1/16 de pulgada
- 3) Modo **INCH** (PULGADA) (decimal): a medida que el carro se mueve, el valor mostrado en la pantalla aumenta o disminuye en 0.01 (1/100 de pulgada)
- 4) Modo **MM** (decimal): a medida que el carro se mueve, el valor mostrado en la pantalla aumenta o disminuye en 0.5 (1/2 milímetro)

Cara pulsación del botón **UNITS (UNIDADES) 3** cambiará el modo de pantalla **5** a otro modo.

BOTÓN RESET (REESTABLECIMIENTO) (vea las figuras 39 y 40)

Al oprimir el botón RESET (REESTABLECIMIENTO) **4** se llenará la pantalla a un valor de cero. Normalmente, esto se usa para "ajustar a cero" la pantalla cuando el tope-guía está contra la hoja. Oprima firmemente y mantenga oprimido el botón RESET (REESTABLECIMIENTO) **4** para "ajustar a cero" la pantalla **5**. Para evitar reajustar accidentalmente a cero la pantalla, es necesario mantener oprimido el botón durante un tiempo de 2 a 3 segundos.

- 1) Modo **1/32 INCH** (PULGADA): la pantalla mostrará **0/32**
- 2) Modo **1/16 INCH** (PULGADA): la pantalla mostrará **0/16**
- 3) Modo **INCH** (PULGADA) (decimal): la pantalla mostrará **.00**
- 4) Modo **MM** (decimal): la pantalla mostrará **.0**

El modo de pantalla es controlado por el ajuste del botón **UNITS (UNIDADES)**.

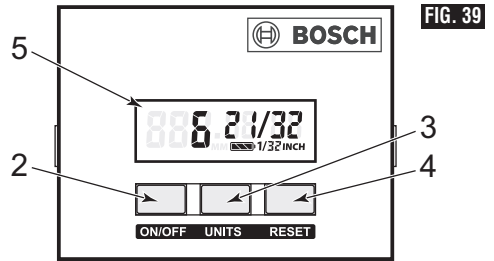


FIG. 39



1/32 INCH mode



1/16 INCH mode



Decimal INCH mode



Decimal MM mode

FIG. 40

“AJUSTE A CERO” LA PANTALLA (vea las figuras 40 y 41)

Cuando utilice el carro digital por primera vez, normalmente se requiere deslizar el tope-guía contra la hoja (con el carro digital instalado) para “ajustar a cero” la pantalla. Después de eso, cualquier movimiento del tope-guía alejándose de la hoja se mostrará en la pantalla del carro.

PARA “AJUSTAR A CERO” LA PANTALLA:

- 1) Conecte el tope-guía al carro digital
- 2) Levante el mango de fijación del tope-guía
- 3) Levante el protector de la hoja del lado de plástico hasta que se acople con un chasquido en su posición hacia arriba. Luego, levante y mantenga levantado el trinquete del dispositivo antirretroceso (¡tenga cuidado, los dientes están afilados!)
- 4) Deslice el tope-guía (con el carro) hasta que entre en contacto con la hoja de sierra subida y luego bloquee hacia abajo el mango del tope-guía
- 5) Oprima el botón RESET (RESTABLECIMIENTO) hasta que se muestre el ajuste de “0”
- 6) Desbloquee el mango del tope-guía. Mueva el tope-guía alejándolo de la hoja y baje el trinquete y el protector lateral de la hoja.

Detenga el movimiento del tope-guía cuando se muestre el ajuste deseado. Empuje siempre hacia abajo el mango de fijación del tope-guía antes de comenzar el corte.

Nota 1: Para obtener precisión, es necesario “ajustar a cero” el carro por separado para cada lado de la hoja. Si el carro está ajustado para realizar cortes al hilo a la derecha de la hoja y el usuario cambia a hacer cortes al hilo a la izquierda de la hoja, el procedimiento de “ajuste a cero” tendrá que realizarse de nuevo.

Nota 2: El carro digital se puede reajustar a cero en cualquier posición del tope-guía. Esto puede ser útil cuando se añade o sustrae de una posición preajustada.

Ejemplo: (la pantalla está ajustada en el modo 1/32 INCH (PULGADA)). Si el tope-guía y el carro digital se mueven hasta donde se muestra 6-3/32 pulgadas (o cualquier valor positivo) y el usuario desea mover el tope-guía desde ese punto para que esté a 3/4 de pulgada menos, el usuario puede “ajustar a cero” la pantalla para que muestre 0/32 de pulgada y luego mover el tope-guía hacia la izquierda hasta que la pantalla muestre “- 3/4 INCH (PULGADA)”; o si el usuario desea mover el tope-guía para que esté a 3/4 de pulgada más, el usuario puede “ajustar a cero” la pantalla para que muestre 0/32 y mover el tope-guía hacia la derecha hasta que la pantalla muestre “3/4 INCH (PULGADA)”. Sin embargo, para el próximo ajuste nuevo, el usuario tendrá que oprimir el botón RESET (RESTABLECIMIENTO) y “ajustar a cero” (contra la hoja).

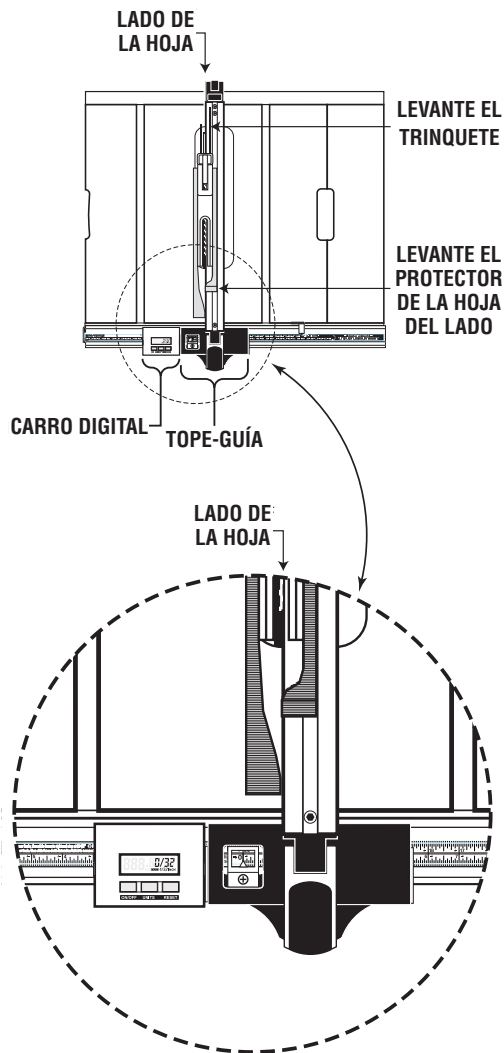
CAMBIOS EN LA PANTALLA, A LA DERECHA DEL “0”

Los números de la pantalla aumentarán cuando se mueva el carro hacia la derecha del “0”.

CAMBIOS EN LA PANTALLA, A LA IZQUIERDA DEL “0”

Los números de la pantalla aumentarán (y aparecerá el signo menos “-”) cuando se mueva el carro hacia la izquierda del “0”.

FIG. 41



SIGNO MENOS (vea la figura 42)

El lado izquierdo de la pantalla incluye el icono de signo menos "-". Siempre que se mueva el carro digital hacia la izquierda del ajuste de "0", aparecerá el "-" (signo menos).

ICONO DE BATERÍA (vea la figura 42)

La pantalla incluye un icono de batería para indicar el estado de la vida de la batería. El icono tiene barras 3 internas y un perfil.

ICONO – INDICADOR	VIDA
3 barras y perfil iluminados	COMPLETA
2 barras y perfil iluminados	Quedan 3/4
1 barra y perfil iluminados	Queda 1/2
Perfiles iluminados, "nivel bajo"	Queda 1/4, "baja"
Perfil "parpadeante"	"Muy baja", REEMPLAZAR

Consulte las instrucciones de "Instalación de la batería de 9 V" que anteceden.

**CONEXIÓN DEL CARRO DIGITAL AL TOPE-GUÍA
PARA CORTAR AL HILO
(vea la figura 37)**

El carro digital **1** se puede conectar magnéticamente a cualquiera de los dos lados del tope-guía para cortar al hilo **9** o a la placa de estacionamiento **10**.

**CONEXIÓN PARA REALIZAR CORTES AL
HILO EN EL LADO DERECHO:**

Deslice el carro digital **1** hacia el lado izquierdo de la hoja. Coloque el tope-guía **9** a la derecha de la hoja y deslice el carro digital **1** hasta que su imán derecho **6** entre en contacto con la placa conectora izquierda del tope-guía **8**. Si se conecta el carro digital a la izquierda del tope-guía para cortar al hilo, se aumenta la capacidad de corte del lado derecho de la sierra.

**CONEXIÓN PARA REALIZAR CORTES AL
HILO EN EL LADO IZQUIERDO:**

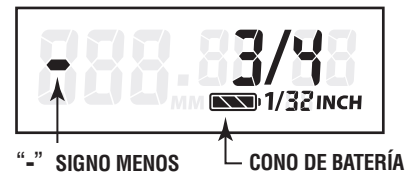
Deslice el carro digital **1** hacia el lado derecho de la hoja. Coloque el tope-guía **9** a la izquierda de la hoja y deslice el carro digital **1** hasta que su imán izquierdo **6** (no mostrado) entre en contacto con la placa conectora derecha del tope-guía **8** (no mostrada). Si se conecta el carro digital a la derecha del tope-guía para cortar al hilo, se aumenta la capacidad de corte del lado izquierdo de la sierra.

ESTACIONAMIENTO DEL CARRO DIGITAL:

Cuando no se estén haciendo cortes al hilo, se recomienda colocar el carro digital **1** en la "posición de estacionamiento". Deslice el carro **1** hasta el punto izquierdo más extremo, de manera que su imán izquierdo **6** (no mostrado) entre en contacto con la placa de estacionamiento **10**.

DESCONEXIÓN DEL TOPE-GUÍA DEL CARRO:

Suelte el mango de fijación del tope-guía **11** y levante la parte delantera del tope-guía **9**. La placa conectora del tope-guía **8** se deslizará fácilmente hasta separarse del imán del carro **6**.

FIG. 42

AJUSTE DEL TOPE-GUÍA CON EL CARRO DIGITAL

CORTES AL HILO EN EL LADO DERECHO DE 0" A 13-1/2" (FIG. 43)

Conecte el tope-guía al lado derecho del carro digital. Si es necesario, siga las instrucciones de "Ajuste a cero" que anteceden.

- 1) Tire hacia arriba del mango de fijación del tope-guía.
- 2) Mueva el tope-guía alejándolo de la hoja.
- 3) Detenga el movimiento cuando el ajuste deseado se muestre en el carro.
- 4) Empuje hacia abajo el mango de fijación del tope-guía antes de comenzar el corte.

Siga los procedimientos normales de corte al hilo. Consulte la página 74.

CORTES AL HILO EN EL LADO DERECHO EXTENDIDO DE 13-1/2" A 25" (FIG. 44)

Conecte el tope-guía al lado derecho del carro digital. Si es necesario, siga las instrucciones de "Ajuste a cero" que anteceden.

- 1) Tire hacia arriba para soltar el mango de fijación del tope-guía.
- 2) Mueva el tope-guía alejándolo de la hoja.
- 3) Detenga el movimiento cuando el tope-guía entre en contacto con la placa de tope derecha del riel delantero (a alrededor de 13-1/2 pulgadas).
- 4) Empuje hacia abajo el mango de fijación del tope-guía antes de comenzar el corte.
- 5) Levante el mango de fijación de la extensión de la mesa de sierra (debajo del riel delantero) para desbloquear dicha extensión.
- 6) Continúe moviendo el tope-guía bloqueado y la extensión de la mesa hacia la derecha hasta que el ajuste deseado se muestre en el carro (el máximo es 25").
- 7) Presione hacia abajo sobre el mango de fijación de la extensión de la mesa para bloquear dicha extensión.

Siga los procedimientos normales de corte al hilo. Consulte la página 74.

CORTES AL HILO EN EL LADO IZQUIERDO (FIG. 45)

Conecte el tope-guía al lado izquierdo del carro digital. Si es necesario, siga las instrucciones de "Ajuste a cero" que anteceden.

- 1) Tire hacia arriba para soltar el mango de fijación del tope-guía.
- 2) Mueva el tope-guía alejándolo de la hoja.
- 3) Detenga el movimiento cuando el ajuste deseado se muestre en el carro. El movimiento hacia la izquierda del "0" hará que aparezca el "-" (signo menos).

4) Empuje hacia abajo el mango de fijación del tope-guía antes de comenzar el corte.

Siga los procedimientos normales de corte al hilo. Consulte la página 74.

FIG. 43

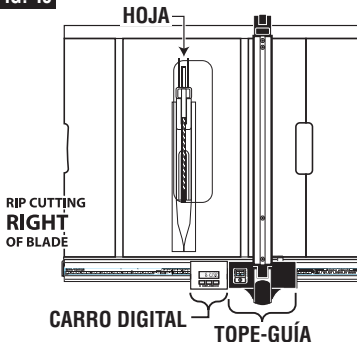


FIG. 44

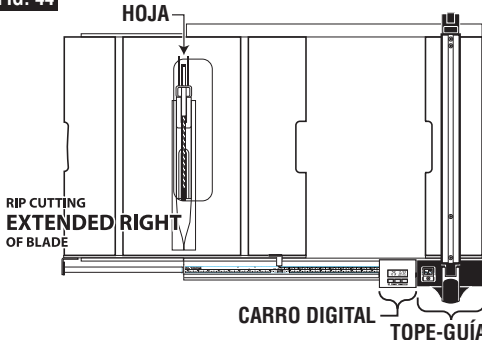
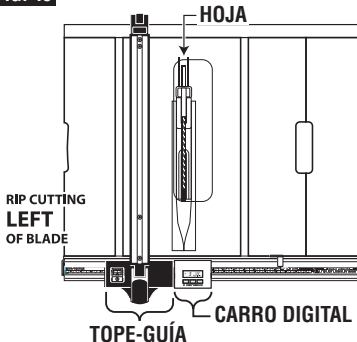


FIG. 45



CORTES AL HILO EN BISEL EN EL LADO DERECHO SOLAMENTE

Conecte el tope-guía al lado izquierdo del carro digital. Si es necesario, siga las instrucciones de “Ajuste a cero” que anteceden (con la hoja ajustada a un bisel de 0).

- 1) Tire hacia arriba para soltar el mango de fijación del tope-guía.
- 2) Mueva el tope-guía alejándolo de la hoja.
- 3) Detenga el movimiento cuando el ajuste deseado se muestre en el carro.
- 4) Ajuste el ángulo de bisel deseado.
- 5) Empuje hacia abajo el mango de fijación del tope-guía antes de comenzar el corte. El borde inferior del material cortado será igual a la distancia mostrada en la pantalla.

⚠ ADVERTENCIA No se recomienda hacer cortes al hilo en bisel con el tope-guía a la izquierda de la hoja, ya que esto puede contribuir a que se produzca una situación de retroceso. El carro digital no se puede ajustar para realizar cortes al hilo precisos con el tope-guía a la izquierda.

Siga los procedimientos normales de corte al hilo en bisel. Consulte la página 74.

MANTENIMIENTO DEL CARRO DIGITAL

POSICIÓN DE ESTACIONAMIENTO (vea la figura 46)

Cuando haga cualquier corte que no utilice el tope-guía, el carro digital se debe poner en la “posición de estacionamiento”. Deslice el carro digital **1** hacia el extremo izquierdo del riel delantero de la sierra hasta que el imán izquierdo **6** entre en contacto con la placa de estacionamiento **10**.

Nota: El carro digital debe estar siempre en la posición de estacionamiento antes de abrir o cerrar la base de soporte plegable de elevación por gravedad Gravity Rise con la sierra de mesa 4100.

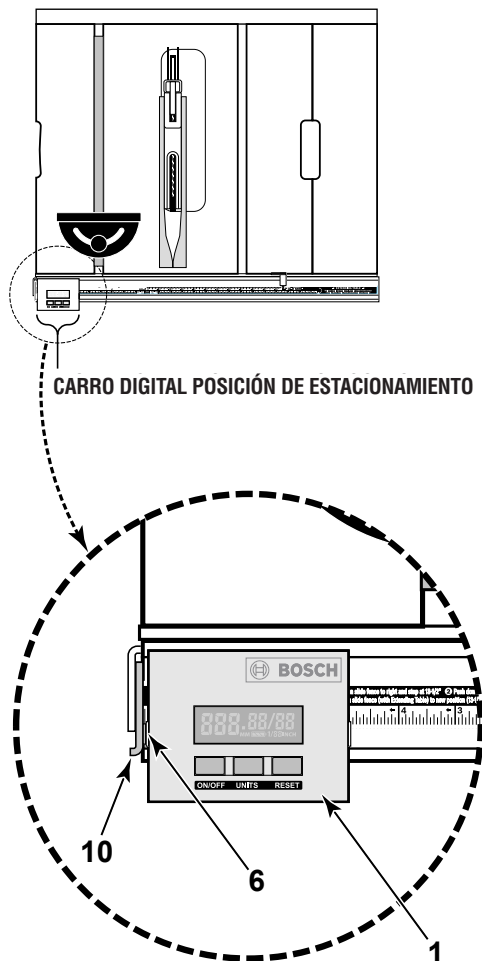
LIMPIEZA

POLVO: Para mantener un movimiento suave del carro, retire el exceso de aserrín u otros residuos del carro y del riel delantero de la sierra de mesa. Apague la sierra y desenchufe el cordón de energía antes de realizar la limpieza. Use un paño suave o un cepillo suave, o un dispositivo de aire comprimido ajustado a baja presión.

HUMEDAD: No deje que el carro digital se esponga a la lluvia. Si es necesario eliminar humedad, desenchufe la sierra y limpie el carro con un paño suave.

AGENTES DE LIMPIEZA: No utilice solventes de limpieza, aceites o lubricantes en el carro digital.

FIG. 46



UBICADOR DE PRECORTE

Le permite a usted marcar y ubicar exactamente el lugar donde la hoja entrará en la pieza de trabajo.

Asegúrese siempre de que la sierra de mesa esté apagada y desenchufada.

Ajuste la hoja **1** a 90 grados respecto a la mesa. Utilizando una regla recta y un lápiz blando, coloque la regla recta **2** contra ambos lados de la hoja y marque las líneas en el ubicador **3** (Fig. 47). Estas líneas indican la "trayectoria" del corte (separación de corte) hecho por la hoja.

Cuando corte la pieza de trabajo, alinee la marca que está en la pieza de trabajo con la línea que está en el disco (Fig. 48).

UTILIZACIÓN DEL INDICADOR DEL TOPE-GUÍA PARA CORTAR AL HILO

(sólo si la mesa no está extendida)

El tope-guía para cortar al hilo muestra la distancia desde la hoja hasta el tope-guía para cortar al hilo a través de una práctica ventana de visualización y aumento.

Alinee el indicador del tope-guía para cortar al hilo **5** con la porción inferior de la escala **6**. La escala inferior puede utilizarse hasta 13.5 pulgadas (Fig. 49).

UTILIZACIÓN DEL INDICADOR DE LA MESA (sólo si la mesa está extendida al máximo)

La porción superior de la escala se utiliza para hacer cortes al hilo de 13.5 a 25 pulgadas. Alinee el indicador de la mesa **7** con la porción superior de la escala **6** (Fig. 49).

REALIZACIÓN DE CORTES AL HILO MÁS ALLÁ DE 25 PULGADAS SIN USAR LA ESCALA

Al posicionar el tope-guía para hacer cortes al hilo máximos sin usar la escala, afloje el tornillo **8** y baje la placa **9** por debajo de la cabeza **10** del tope-guía para cortar al hilo **11** (Fig. 49). NO corte al hilo ni corte mortajas ni molduras con el tope-guía más allá de esta posición, porque no puede fijarse.

FIG. 47

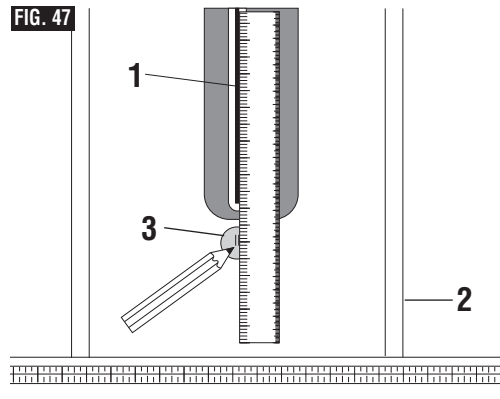


FIG. 48

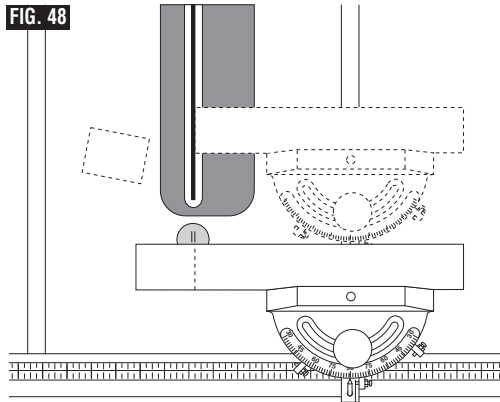
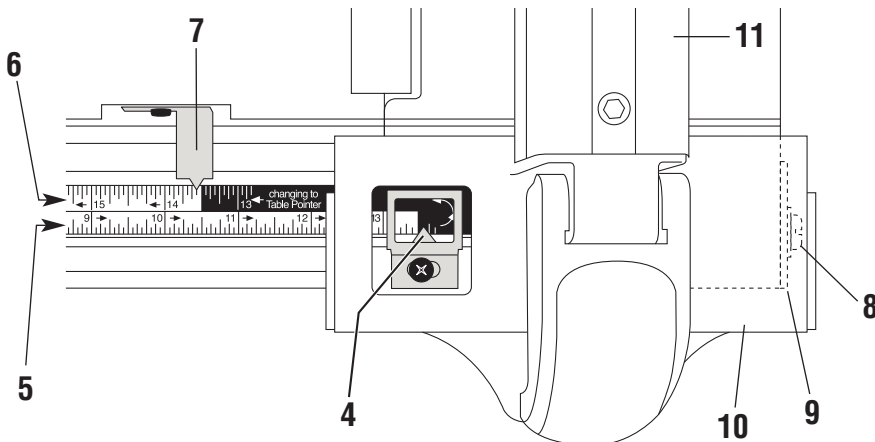


FIG. 49



AYUDANTES DE TRABAJO

Antes de cortar cualquier madera en la sierra, estudie el "Funcionamiento básico de la sierra".

Observe que para hacer algunos de los cortes es necesario utilizar ciertos dispositivos, "ayudantes de trabajo", como el palo de empujar, el bloque de empujar y el tope-guía auxiliar, que se puede hacer usted mismo.

Después de realizar unos cuantos cortes de práctica, haga estos "ayudantes" antes de comenzar cualquier proyecto. Haga primero el palo de empujar.

PALO DE EMPUJAR Y BLOQUE DE EMPUJAR

Haga un palo de empujar **1** usando un pedazo de madera de 1 x 2, de la manera que se muestra en la ilustración (Fig. 50).

Haga el bloque de empujar **2** utilizando pedazos de madera contrachapada 3/8", **3**, y de madera dura de 3/4", **4**, (Fig. 51). Para obtener información sobre cómo utilizar apropiadamente el bloque de empujar, consulte la página 122.

El pedazo pequeño de madera de 3/8" x 3/8" x 2-1/2" se debe ENCOLAR a la madera contrachapada... NO USE CLAVOS. Esto tiene como fin evitar mellar la hoja de sierra en caso de que usted corte por error en el bloque de empujar.

Posicione el mango en el centro de la madera contrachapada y sujete el mango a la madera usando adhesivo y tornillos para madera.

Use un palo de empujar siempre que el tope-guía esté a 2 pulgadas o más de la hoja. Utilice un bloque de empujar cuando la operación sea demasiado estrecha como para permitir el uso de un palo de empujar. Para obtener información sobre cómo utilizar apropiadamente el palo de empujar, consulte la página 122.

Se deben usar tanto un palo de empujar como un bloque de empujar en lugar de la mano del usuario para guiar el material solamente entre el tope-guía y la hoja.

Cuando utilice un palo de empujar o un bloque de empujar, el extremo de salida de la tabla debe estar en ángulo recto. Un palo de empujar o un bloque de empujar contra un extremo desigual podría resbalar o empujar la pieza de trabajo alejándola del tope-guía.

TOPE-GUÍA AUXILIAR

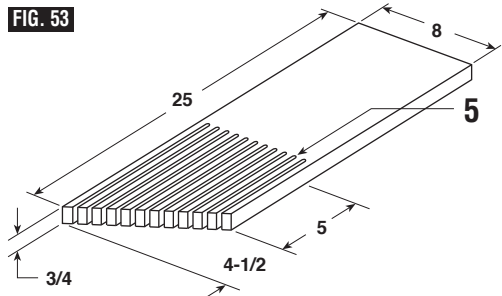
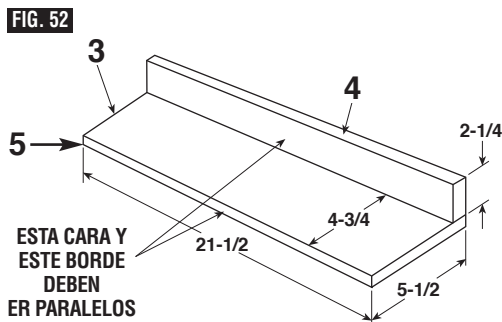
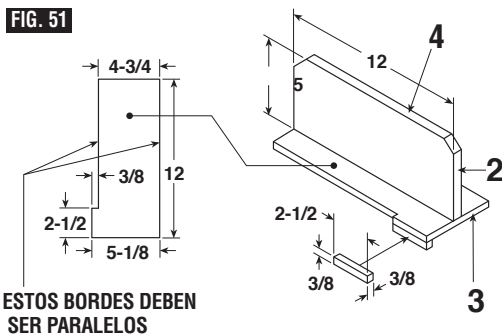
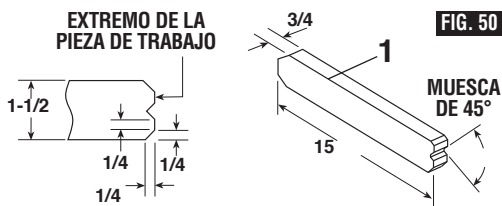
Haga uno utilizando pedazos de madera contrachapada de 3/8" **3** y de madera dura de 3/4" **4**. Fije los pedazos uno a otro con cola y tornillos para madera (Fig. 52).

NOTA: Como el bloque de empujar se utiliza con el tope-guía auxiliar **5**, las dimensiones de 4-3/4" se deben mantener idénticas en ambos pedazos.

CÓMO HACER UNA TABLA CON CANTO BISELADO

La figura 53 ilustra las dimensiones para hacer una tabla con canto biselado típica. Se debe hacer utilizando un pedazo recto de madera que esté libre de nudos o grietas.

La separación de corte **5** debe ser de 1/4" (Fig. 53).



NOTA: Todas las dimensiones están en pulgadas.

UTILIZACIÓN DEL CALIBRE DE INGLETES

DURANTE EL CORTE TRANSVERSAL, EL CORTE A INGLETE, EL CORTE EN BISEL, EL CORTE A INGLETE COMPUESTO y al CORTAR REBAJOS transversalmente al extremo de una pieza de trabajo estrecha se utiliza el CALIBRE DE INGLETES.

⚠️ ADVERTENCIA

Para su propia seguridad, siga siempre las siguientes precauciones de seguridad además de las instrucciones de seguridad de las páginas 88, 89, 90 y 91.

Nunca haga estos cortes a pulso (sin utilizar el calibre de ingletes u otros dispositivos auxiliares) porque la hoja podría atascarse en el corte y causar RETROCESO o hacer que los dedos o la mano resbalen y entren en contacto con la hoja.

Fije siempre el calibre de ingletes firmemente cuando se esté utilizando.

Retire de la mesa el tope-guía para cortar al hilo durante toda operación que utilice el calibre de ingletes.

El calibre de ingletes incluye un disco con ranura en "T" para facilitar su inserción en la ranura de la mesa y su remoción rápida de la mesa (Fig. 54).

Cuando realice un corte transversal y la hoja esté ajustada a 90° ó 45° respecto a la mesa, el calibre de ingletes se puede utilizar en cualquiera de las dos ranuras de la mesa. Cuando realice un corte transversal y la hoja esté inclinada, use la ranura del lado derecho de la mesa donde la hoja se inclina alejándose de las manos del usuario y del calibre de ingletes.

PARA AJUSTAR EL ÁNGULO DE INGLETE:

Afloje el pomo de fijación **1** y ajuste el cuerpo del calibre de ingletes **2** de manera que el indicador **3** esté en el ángulo deseado y luego apriete el pomo de fijación **1** (Fig. 54).

El cuerpo del calibre de ingletes **2** se detendrá en 90° y en 45° tanto a la derecha como a la izquierda. Para girar el cuerpo del calibre de ingletes **2** más allá de estos puntos, la placa de tope **4** se debe bascular para retirarla del paso.

CALIBRE DE INGLETES

En la página 90 se suministra una plantilla para hacer agujeros en el calibre de ingletes, que permite colocar un REFRENTADO AUXILIAR **5** con el fin de proporcionar soporte adicional para cortar piezas más largas. Seleccione un pedazo adecuado de madera recta y lisa, hágale dos agujeros y sujételo al calibre de ingletes con tornillos **6** (Fig. 55).

Ejemplo:

- A. Haga un agujero de 1/4" de diámetro que atraviese el calibre de ingletes.
- B. Haga agujeros de 5/32" de diámetro a través de la tabla (de 3/4" de grosor, 3" de altura y la longitud deseada).
- C. Coloque la tabla en el calibre de ingletes con dos tornillos de cabeza redonda No. 12 de 1-1/2" de longitud **6**, no incluidos (Fig. 55).

Asegúrese de que los tornillos nunca sobresalgan por encima de la superficie exterior del refrentado.

Asegúrese de que el refrentado no interfiera con el funcionamiento apropiado del protector de la hoja de sierra.

NOTA: Al realizar cortes transversales en bisel, coloque el refrentado de manera que sobresalga por la derecha del calibre de ingletes y utilice el calibre de ingletes en la ranura que se encuentra a la derecha de la hoja.

FIG. 54

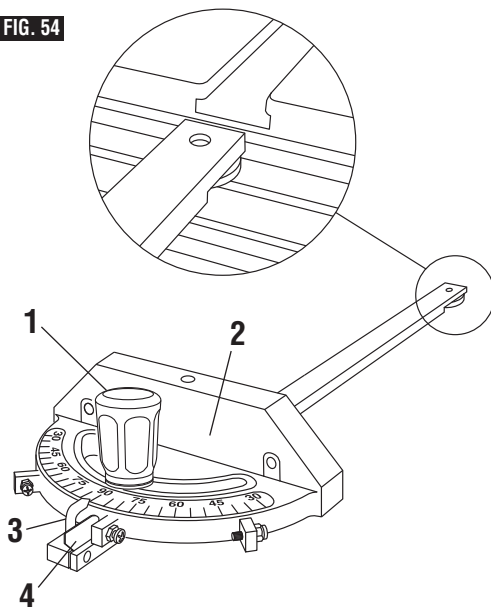
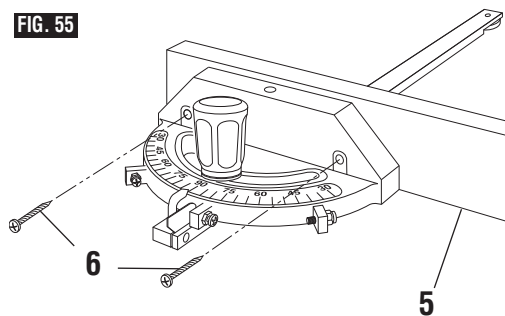


FIG. 55



CORTE TRANSVERSAL

Se conoce como CORTE TRANSVERSAL a cortar madera en dirección transversal a la veta, a 90°, o en ángulo recto tanto con el borde como con el lado plano de la madera. Esto se hace con el calibre de ingletes ajustado a 90° (Fig. 56).

Asegúrese de que el protector de la hoja está instalado para todas las operaciones de "aserrado pasante" (cuando la hoja de sierra corta completamente a través del grosor de la pieza de trabajo). Vuelva a colocar el protector INMEDIATAMENTE después de terminar cortes de mortajas, molduras o rebajos.

Haga que la hoja sobresalga aproximadamente 1/8" por encima de la parte superior de la pieza de trabajo. Una exposición adicional de la hoja aumentaría la posibilidad de peligro.

No se sitúe directamente delante de la hoja en caso de RECHAZO (un pequeño pedazo cortado enganchado por la parte posterior de la hoja y lanzado hacia el operador). Sitúese en cualquiera de los lados de la hoja.

Mantenga las manos alejadas de la hoja y fuera de la trayectoria de la hoja.

Si la hoja se atasca o detiene durante el corte, APAGUE EL INTERRUPTOR (posición "OFF") antes de intentar liberar la hoja.

No ponga las manos encima o detrás de la hoja para tirar de la pieza de trabajo a través del corte... para sujetar piezas de trabajo largas o pesadas... para retirar pedazos cortados de material ni POR NINGUNA OTRA RAZÓN.

No recoja de la mesa pequeños pedazos de material cortado. RETIRELOS empujándolos FUERA de la mesa con un palo largo. De lo contrario podrían ser arrojados hacia usted por la parte posterior de la hoja.

No retire pequeños pedazos de material cortado que puedan quedar ATRAPADOS dentro del protector de la hoja mientras la sierra está EN MARCHA. ESTO PODRÍA PONER EN PELIGRO LAS MANOS o causar un RETROCESO. Apague la sierra. Después de que la hoja haya dejado de girar, suba el protector y retire el pedazo.

Si la pieza de trabajo está combada, coloque el lado CONCAVO hacia ABAJO. Esto evitará que oscile mientras se está cortando.

Las graduaciones del calibre de ingletes proporcionan precisión para el trabajo corriente de madera. En algunos casos en los que se requiere máxima precisión, al hacer cortes angulares, por ejemplo, haga un corte de prueba y luego compruébelo con una escuadra precisa o un transportador de ángulos.

Si es necesario, la cabeza del calibre de ingletes se puede inclinar ligeramente para compensar cualquier imprecisión.

NOTA: El espacio entre la barra del calibre de ingletes y la ranura de la mesa se mantiene al mínimo durante la fabricación.

Para obtener máxima precisión al utilizar el calibre de ingletes, "favorezca" siempre un lado de la ranura de la mesa. En otras palabras, no mueva el calibre de ingletes de lado a lado mientras

corta, pero mantenga un lado de la barra desplazándose contra un lado de la ranura.

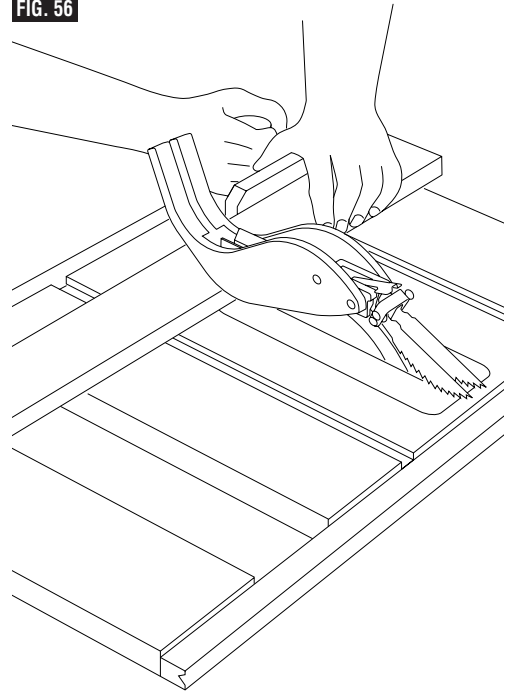
NOTA: Encole un pedazo de papel de lija **1** en la cara de la cabeza del calibre de ingletes. Esto ayudará a evitar que la pieza de trabajo se desplace mientras es cortada.

El calibre de ingletes se puede utilizar en cualquiera de las ranuras de la mesa. Asegúrese de que se encuentra fijo.

Al utilizar el calibre de ingletes en la ranura de la IZQUIERDA, sujete la pieza de trabajo firmemente contra la cabeza del calibre con la mano izquierda y agarre el pomo de fijación con la mano derecha.

Al utilizar la ranura de la DERECHA, sujete la pieza de trabajo con la mano derecha y el pomo de fijación con la mano izquierda.

FIG. 56



CORTE TRANSVERSAL REPETITIVO

Se conoce como CORTE TRANSVERSAL REPETITIVO a cortar una cantidad de pedazos de la misma longitud sin tener que marcar cada pedazo. Cuando haga cortes repetitivos en una pieza de trabajo larga, asegúrese de que dicha pieza esté soportada. Vea la Fig. 58.

ADVERTENCIA No utilice nunca el tope-guía para cortar al hilo como tope de longitud directo, ya que la pieza cortada podría atorarse entre el tope-guía y la hoja, y causar retroceso.

ADVERTENCIA Cuando instale el bloque de refrentado, asegúrese de que el bloque esté bastante por delante de la hoja de sierra, porque la pieza cortada podría atorarse entre el tope-guía y la hoja, y causar retroceso.

ELABORACIÓN DEL BLOQUE DE REFRENTADO

El bloque de refrentado se debe hacer con madera de 1-1/2 pulgadas de grosor. La Figura 57 muestra las dimensiones para hacer un bloque de refrentado.

PIEZAS NECESARIAS:

Tabla de madera de 1-1/2" de grosor cortada con el tamaño deseado (1)

Tornillos de cabeza hexagonal para metales de 1/4 x 20 x 1-1/2" de longitud (2)

Arandelas de 1/4" (2)

Tuercas para tornillos para metales de 1/4 x 20 (2)

El bloque de refrentado se hace con la misma altura (2-3/4") que el tope-guía y puede funcionar con el sistema de protector de la hoja colocado en su sitio cuando las piezas cortadas midan 1-1/2 pulgadas o más. Corte la tabla con el tamaño mostrado, taladre en ella agujeros pasantes de 9/32" y luego avellane cada agujero (hasta 3/8 de pulgada) utilizando una broca taladradora de 3/4 de pulgada.

ENSAMBLAJE:

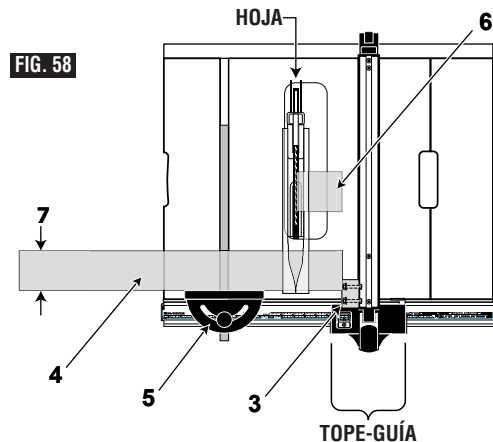
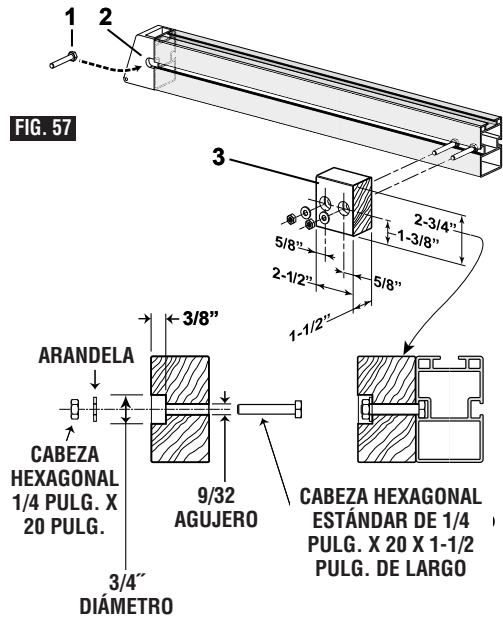
- 1) Coloque la cabeza hexagonal 1 de cada tornillo para metales en el área rebajada 2 de la carcasa del tope-guía trasero. Luego, deslice cada tornillo hacia delante hasta las ubicaciones mostradas.
- 2) Coloque el bloque de refrentado 3 sobre los tornillos
- 3) Coloque las arandelas en las roscas de los tornillos
- 4) Enrosque y apriete las tuercas en los tornillos

REALIZACIÓN DEL CORTE TRANSVERSAL REPETITIVO

1. Cuando haga cortes repetitivos, sujete firmemente un bloque de refrentado de madera al tope-guía de la manera que se muestra en la ilustración. La ranura en T ubicada en el tope-guía para cortar al hilo permite instalar un bloque de refrentado. Vea la Figura 58.
2. Deslice el tope-guía (con el bloque de refrentado) hasta una posición que dé la longitud de la tabla que usted desea repetir. Bloquee el tope-guía en esa posición. Nota: Si está usando la escala del riel delantero de la sierra durante la preparación, asegúrese de mover el tope-guía 1-1/2 pulgadas adicionales como compensación para tener en cuenta el grosor del bloque de refrentado.
3. Deslice la pieza de trabajo 4 a lo largo del calibre de ingletes 5 hasta que toque el bloque de refrentado 3 y sujétela firmemente.

4. Haga una "pasada de prueba" (de práctica). Con la sierra desenchufada, mueva el calibre de ingletes y la pieza de trabajo a lo largo del bloque de refrentado hasta que toque la hoja inactiva (la hoja se ajusta 1/4 de pulgada más alta que la pieza de trabajo). Nota: La pieza de trabajo DEBE ESTAR separada del bloque de refrentado ANTES de que entre en contacto con la hoja. La capacidad de corte transversal 7 para estos cortes es de 6-1/4 pulgadas con una pieza de trabajo de 3/4, ó 5-1/2 pulgadas con una pieza de trabajo de 1-1/2. Si la "pasada de prueba" tiene éxito, vaya al próximo paso.

5. Conecte la sierra a la fuente de energía. Encienda la sierra... Haga el corte... Apague la sierra... Y retire la pieza cortada 6 después de que la hoja se haya detenido y antes de cortar la próxima pieza.



CORTE A INGLETE

Se conoce como CORTE A INGLETE a cortar madera a un ángulo distinto a 90° con el borde de la madera. Siga el mismo procedimiento que seguiría para cortar transversalmente (Fig. 59).

Ajuste el calibre de ingletes al ángulo deseado y fíjelo.

El calibre de ingletes se podrá utilizar en cualquiera de las ranuras de la mesa.

Al utilizar el calibre de ingletes en la ranura de la IZQUIERDA, sujete la pieza de trabajo firmemente contra la cabeza del calibre de ingletes con la mano izquierda y agarre el pomo de fijación con la mano derecha.

Al utilizar la ranura de la DERECHA, sujete la pieza de trabajo con la mano derecha y el pomo de fijación con la mano izquierda.

CORTE TRANSVERSAL EN BISEL

EL CORTE TRANSVERSAL EN BISEL es lo mismo que el corte transversal, excepto que la madera también se corta en un ángulo ... distinto a 90° con el lado plano de la madera (Fig. 60).

Ajuste la hoja al ángulo deseado.

Utilice el calibre de ingletes en la ranura que se encuentra a la DERECHA de la hoja.

CORTE A INGLETE COMPUESTO

EL CORTE A INGLETE COMPUESTO es una combinación del corte a inglete y el corte transversal en bisel. El corte se hace a un ángulo distinto de 90° respecto al borde y a la superficie plana de la madera (Fig. 60).

Ajuste el calibre de ingletes y la hoja al ángulo deseado ... Asegúrese de que el calibre de ingletes está fijo.

UTILIZACIÓN DEL TOPE-GUÍA PARA CORTAR AL HILO

EL CORTE AL HILO, EL CORTE AL HILO EN BISEL, EL REASERRADO Y EL CORTE DE REBAJOS se realizan utilizando el TOPE-GUÍA PARA CORTAR AL HILO junto con el TOPE-GUÍA AUXILIAR / APOYO DE LA PIEZA DE TRABAJO, EL PALO DE EMPUJAR O EL BLOQUE DE EMPUJAR.

⚠ ADVERTENCIA

Para su propia seguridad, siga siempre las siguientes precauciones de seguridad además de las instrucciones de seguridad de las páginas 88, 89, 90 y 91.

1. Nunca haga estos cortes A PULSO (sin utilizar el tope-guía para cortar al hilo o los dispositivos auxiliares cuando sea necesario) porque la hoja podría atascarse en el corte y causar RETROCESO.
2. Fije siempre el tope-guía para cortar al hilo firmemente cuando se esté utilizando.
3. Retire de la mesa el calibre de ingletes durante toda operación que utilice el tope-guía para cortar al hilo.
4. Asegúrese de que el protector de la hoja está instalado para todos los cortes del tipo de aserrado pasante. Vuelva a colocar el protector INMEDIATAMENTE después de terminar las

operaciones de reaserrado y corte de rebajos, mortajas o molduras.

Compruebe frecuentemente el funcionamiento de los TRINQUETES ANTIRRETROCESO pasando la pieza de trabajo junto al separador cuando la sierra está APAGADA.

Tire de la pieza de trabajo HACIA usted. Si los TRINQUETES NO PENETRAN en la pieza de trabajo y la SUJETAN... hay que CAMBIAR o AFILAR los trinquetes. (Vea "Mantenimiento" en la página 85).

5. Haga que la hoja sobresalga aproximadamente 1/8" por encima de la parte superior de la pieza de trabajo. Una exposición adicional de la hoja aumentaría la posibilidad de peligro.

6. No se sitúe directamente delante de la hoja en caso de RETROCESO. Sitúese en cualquiera de los lados de la hoja.

FIG. 59

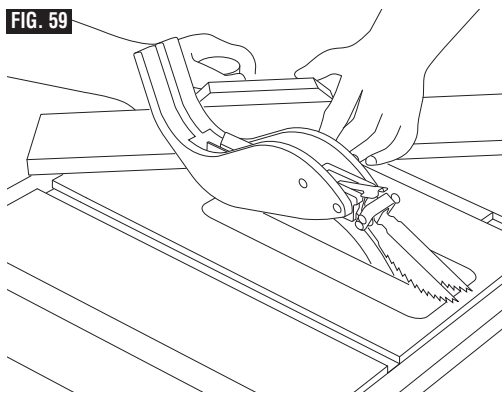
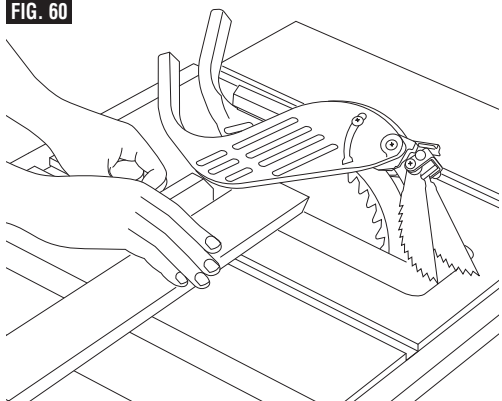


FIG. 60



7. Mantenga las manos alejadas de la hoja y fuera de la trayectoria de la hoja.
8. Si la hoja se atasca o se detiene durante el corte, APAGUE EL INTERRUPTOR (posición "OFF") antes de intentar liberar la hoja.
9. No ponga las manos encima o detrás de la hoja para tirar de la pieza de trabajo a través del corte ... para sujetar piezas de trabajo largas o pesadas ... para retirar pequeños pedazos cortados de material ni POR NINGUNA OTRA RAZON.
10. No recoja de la mesa pequeños pedazos de material cortado. RETIRELOS empujándolos FUERA de la mesa con un palo largo. De lo contrario podrían ser arrojados hacia usted por la parte posterior de la hoja.
11. No retire pequeños pedazos de material cortado que puedan quedar ATRAPADOS dentro del protector de la hoja mientras la sierra está EN MARCHA. ESTO PODRIA PONER EN PELIGRO LAS MANOS o causar RETROCESO. APAGUE la sierra. Después de que la hoja haya dejado de girar, suba el protector y retire el pedazo.
12. Si la pieza de trabajo está combada, coloque el lado CONCAVO hacia ABAJO. Esto evitará que oscile mientras se esté cortando.

REFRENTADO AUXILIAR PARA EL TOPE-GUÍA PARA CORTAR AL HILO

Cuando utilice fresas de mortajar o de moldurar accesorias, se debe utilizar una tabla de refrentado auxiliar. Esto ayudará a evitar dañar el tope-guía de aluminio. El refrentado se debe hacer con madera de 3/4 de pulgada de grosor. La Figura 61 muestra los planos dimensionales para hacer una tabla de refrentado adecuada para esta sierra.

PIEZAS NECESARIAS:

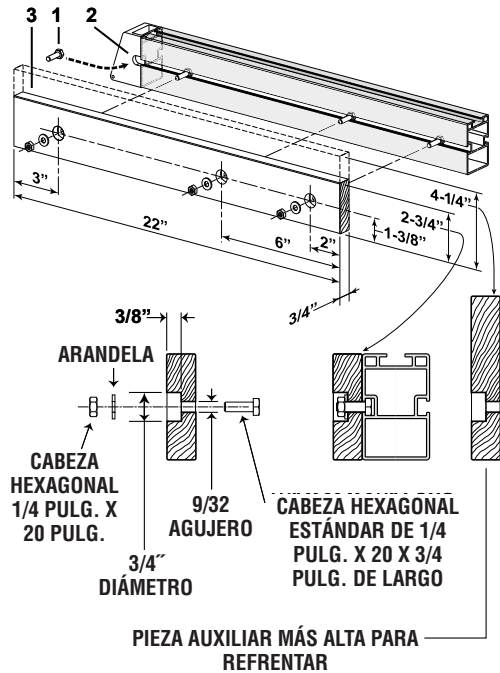
- Tabla de madera de 3/4" de grosor (maciza o de madera contrachapada) cortada con el tamaño deseado
- Tres (3) tornillos de cabeza hexagonal para metales de 1/4 x 20 x 3/4" de longitud
- Tres (3) arandelas de 1/4"
- Tres (3) tuercas para tornillos para metales de 1/4 x 20

El refrentado se hace con la misma altura (2-3/4") que el tope-guía y puede funcionar con el sistema de protector de la hoja colocado en su sitio cuando se mueve el tope-guía para entrar en contacto con la hoja. El diseño de refrentado más alto (4-1/4") es opcional y se puede utilizar como medio de sujeción a otros accesorios. Corte la tabla con el tamaño mostrado, taladre agujeros pasantes de 9/32" y luego avelane cada agujero (hasta 3/8 de pulgada) utilizando una broca taladradora de 3/4 de pulgada.

ENSAMBLAJE:

- 1) Coloque la cabeza hexagonal 1 de cada tornillo para metales en el área rebajada 2 de la carcasa trasera del tope-guía. Luego, deslice cada tornillo hacia delante hasta las ubicaciones mostradas.
- 2) Coloque la tabla de refrentado 3 sobre los tornillos
- 3) Coloque las arandelas en las roscas de los tornillos
- 4) Enrosque y apriete las tuercas en los tornillos

FIG. 61



CORTE AL HILO

Se conoce como CORTE AL HILO a cortar un pedazo de madera siguiendo la veta, o longitudinalmente. Esto se hace utilizando el tope-guía para cortar al hilo. Posicione el tope-guía para el ANCHO DE CORTE AL HILO deseado y fíjelo en su sitio. Antes de comenzar a cortar al hilo, asegúrese de que:

- El tope-guía para cortar al hilo esté paralelo a la hoja de sierra.
- El separador esté adecuadamente alineado con la hoja de sierra.
- Los trinquetes antirretroceso funcionen adecuadamente.

Al cortar al hilo TABLAS LARGAS o PANELES GRANDES, utilice siempre un soporte para la pieza de trabajo (Fig. 62). El juego de mesa de soporte de avance de salida de la sierra de mesa Bosch es un accesorio ideal para utilizarse en esta aplicación.

CORTE AL HILO EN BISEL

Al cortar al hilo en bisel material de 6" o más estrecho, utilice el tope-guía en el lado derecho de la hoja ÚNICAMENTE. Esto proporcionará más espacio entre el tope-guía y la hoja de sierra para utilizar un palo de empujar. Si el tope-guía se monta a la izquierda, el protector de la hoja de sierra puede interferir con el uso adecuado de un palo de empujar.

Cuando el "ANCHO DEL CORTE AL HILO" es de 6" y MAS, utilice la mano DERECHA para hacer avanzar la pieza de trabajo y utilice la mano IZQUIERDA ÚNICAMENTE para guiar la pieza de trabajo ... no HAGA AVANZAR la pieza de trabajo con la mano izquierda (Fig. 62).

Cuando el "ANCHO DE CORTE AL HILO" es de 2" a 6", UTILICE EL PALO DE EMPUJAR 1 para hacer avanzar la pieza de trabajo (Fig. 63).

Cuando el ANCHO DE CORTE AL HILO es MAS ESTRECHO de 2", NO SE PUEDE utilizar el palo de empujar porque el protector interferirá ... UTILICE el TOPE-GUIA AUXILIAR y el BLOQUE DE EMPUJAR.

Sujete el tope-guía auxiliar 2 al tope-guía para cortar al hilo con dos abrazaderas en "C" (Fig. 64).

Haga avanzar la pieza de trabajo a mano hasta que el extremo se encuentre aproximadamente a 1" del borde delantero de la mesa. Continúe haciendo avanzar la pieza de trabajo utilizando el BLOQUE DE EMPUJAR 3 en la parte superior del tope-guía auxiliar HASTA QUE SE TERMINE DE REALIZAR EL CORTE (Fig. 65).

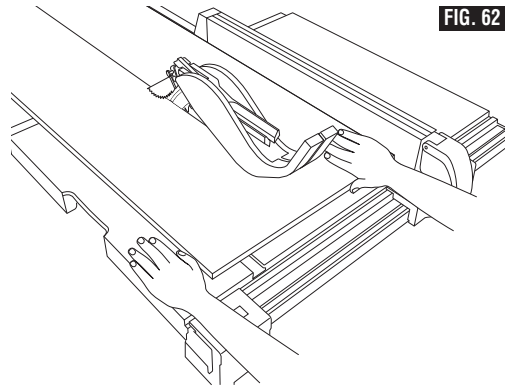


FIG. 62

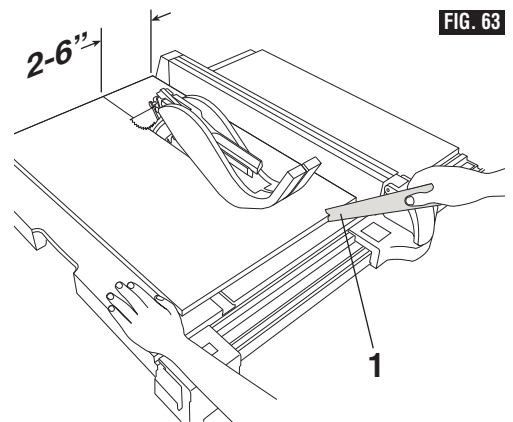


FIG. 63

FIG. 64

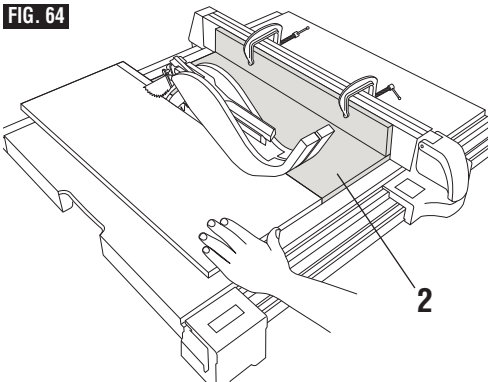
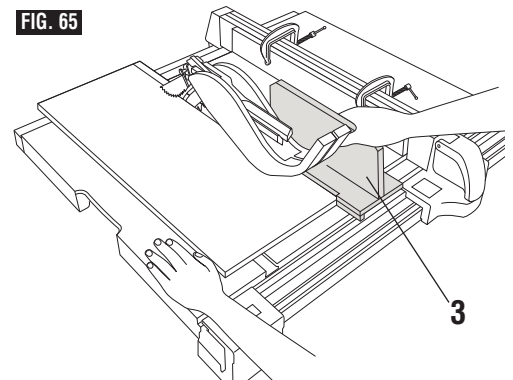


FIG. 65



ASERRADO NO PASANTE

Añada una tabla de refrentado plano de 8" de altura al tope-guía a lo largo de toda la longitud del tope-guía (Fig. 66).

Utilice tablas con canto biselado para todas las operaciones de "aserrado no pasante" (cuando haya que retirar el protector de la hoja de sierra). Las tablas con canto biselado **1** se utilizan para mantener la pieza de trabajo en contacto con el tope-guía y la mesa tal como se muestra en la ilustración y para detener retrocesos.

Monte las tablas con canto biselado **1** en el tope-guía y en la mesa tal como se muestra en la ilustración, de manera que los bordes de avance de las tablas con canto biselado soporten la pieza de trabajo hasta que se termine de realizar el corte y la pieza de trabajo haya sido empujada por completo pasado el cortador (hoja de sierra, fresa rotativa de cortar mortajas, fresa de moldear, etc.) con un palo de empujar **2**, igual que al cortar al hilo.

Antes de comenzar la operación, apague la sierra y ajuste el cortador por debajo de la superficie de la mesa.

- A. Instale las tablas con canto biselado para que ejerzan presión sobre la pieza de trabajo; asegúrese de que están colocadas firmemente.
- B. Asegúrese mediante la realización de pruebas de que las tablas con canto biselado detendrán el retroceso en caso de que éste se produzca.

Las tablas con canto biselado no se emplean durante las operaciones de aserrado no pasante cuando se utiliza el calibre de ingletes.

VUELVA A COLOCAR EL PROTECTOR DE LA HOJA DE SIERRA EN CUANTO TERMINE DE REALIZAR LA OPERACIÓN DE ASERRADO NO PASANTE.

CORTE DE REBAJOS

Se conoce al CORTE DE REBAJOS como el corte de una sección de la esquina de un pedazo de material transversalmente a un extremo o a lo largo de un borde (Fig. 67).

La realización de un CORTE DE REBAJO requiere cortes que no atraviesen completamente el material. Por lo tanto, hay que quitar el protector de la hoja.

1. Quite el protector de la hoja.
2. Para cortar rebajos a lo largo de un borde (el lado largo de la pieza de trabajo) tal como se muestra en la ilustración, añada un refrentado al tope-guía para cortar al hilo a una altura aproximadamente igual al ancho de la pieza de trabajo. Ajuste el tope-guía para cortar al hilo y la hoja a las dimensiones requeridas; luego, haga el primer corte con la tabla en posición horizontal sobre la mesa; siga la preparación de la Fig. 66. Haga un segundo corte con la pieza de trabajo en el borde. Siga todas las precauciones, instrucciones de seguridad e instrucciones de funcionamiento de la misma manera que para cortar al hilo o para operaciones del tipo de corte al hilo, incluyendo tablas con canto biselado y palo de empujar, etc.
3. Para cortar rebajos transversalmente a un extremo, para piezas de trabajo de 10-1/2" y más estrechas, haga el corte de rebajo con la tabla en posición horizontal sobre la mesa. Utilizando el calibre de ingletes equipado con un refrentado,

siga los mismos procedimientos e instrucciones que para cortar transversalmente realizando cortes sucesivos transversalmente al ancho de la pieza de trabajo para obtener el ancho de corte deseado. NO use el tope-guía para cortar al hilo para cortar rebajos transversalmente al extremo.

4. **INSTALE EL PROTECTOR DE LA HOJA INMEDIATAMENTE DESPUES DE TERMINAR LA OPERACION DE CORTE DE REBAJOS.**

Los cortes de rebajos también se pueden realizar en una pasada de la pieza de trabajo sobre el cortador utilizando la fresa rotativa de cortar mortajas o la fresa de moldear.

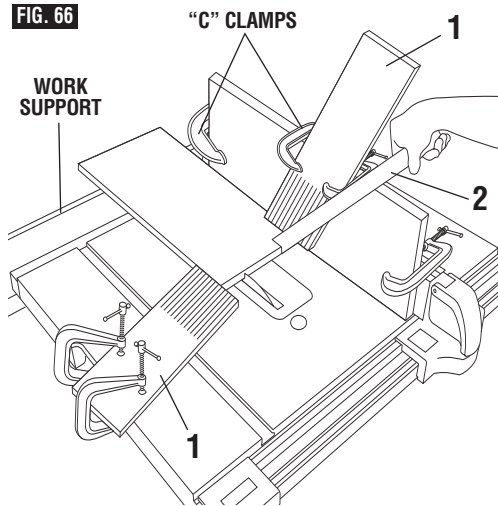


FIG. 66

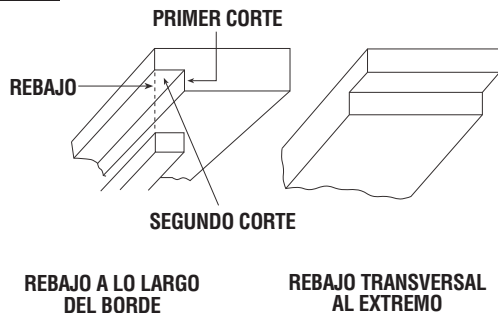


FIG. 67

CORTE DE MORTAJAS Y MOLDURAS

Las instrucciones para utilizar la sierra con juegos de fresas de mortajar y moldurar están contenidas en el folleto suministrado con estos accesorios.

UTILICE SIEMPRE UN ACCESORIO DE INSERCIÓN DE LA MESA BOSCH APROPIADO Y LAS ARANDELAS INDICADAS EN ACCESORIOS RECOMENDADOS (consulte la página 128).

COLOQUE SIEMPRE LAS ARANDELAS DE LA HOJA EN LAS POSICIONES ORIGINALES CUANDO HAYA ACABADO DE CORTAR MORTAJAS O MOLDURAS.

INSTALACIÓN DE UN JUEGO DE MORTAJAR

Un juego de mortajar es un sistema accesorio que se utiliza para hacer ranuras no pasantes o cortes de superposición en piezas de trabajo. Estas herramientas se utilizan comúnmente en la construcción de muebles y gabinetes. Después de que se hayan hecho apropiadamente los cortes de mortajas en las piezas de trabajo, éstas se pueden unir compactamente. La mesa de sierra 4100 puede acomodar el corte de mortajas hasta 13/16 de pulgada de ancho en una sola pasada.

⚠ ADVERTENCIA Para reducir el riesgo de lesiones, desconecte siempre el enchufe de la fuente de energía antes de cambiar las hojas.

⚠ ADVERTENCIA Utilice siempre el accesorio de inserción de la mesa de hoja de mortajar Bosch No. TS1007 (viene con una arandela accesorio para mortajar). No haga nunca cortes de mortajas sin este accesorio de inserción. No use juegos de mortajar de más de 8 pulgadas de diámetro. No ajuste nunca los cortadores de mortajar a cualquier ángulo de bisel que no sea el ángulo de 0° vertical. Haga caso de todas las advertencias e instrucciones mostradas aquí y las que acompañan al juego de mortajar. Si no se hace caso de estas advertencias, el resultado podría ser lesiones corporales graves.

⚠ ADVERTENCIA Para reducir el riesgo de lesiones, no utilice juegos de mortajar de más de 8 pulgadas de diámetro. La sierra no está diseñada para aceptar fresas de mortajar de tamaños más grandes.

UTILIZACIÓN DE JUEGOS DE MORTAJAR APILADOS

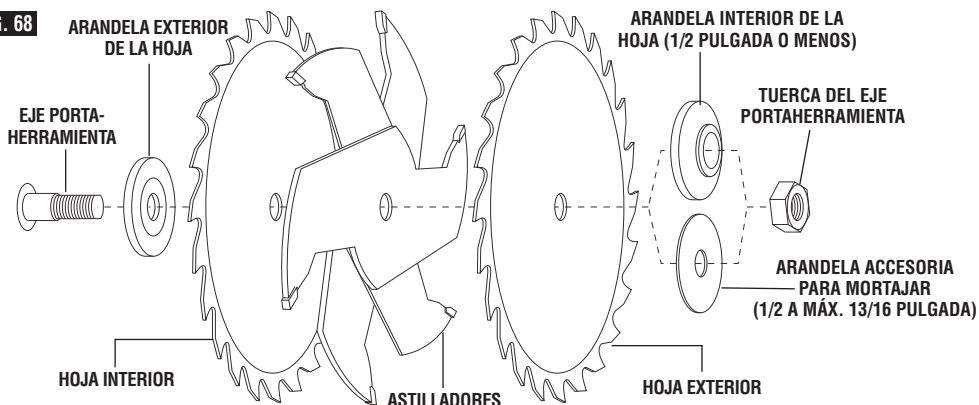
NOTA: Estas instrucciones se basan en la utilización de juegos de mortajar profesionales Bosch de 8 y 6 pulgadas: Nos. de

modelo PR0824DADO, PR0840DADO y PR0624DADO. También se aplican a la mayoría de los juegos de mortajar apilados estándar.

1. Desconecte el enchufe de la fuente de energía.
2. Retire el ensamblaje del protector de barrera y el dispositivo antirretroceso (consulte la páginas 98 y 99 del manual). Baje la cuchilla separadora a su posición más baja y bloquéela.
3. Retire la placa de inserción de la mesa estándar. Suba la hoja de sierra hasta la altura máxima.
4. Retire la tuerca del eje portaherramienta y luego la arandela exterior, la hoja de sierra y la arandela interior de la hoja (consulte la página 101). Nota: Para cortar mortajas solamente, las arandelas se deben instalar de manera diferente (Fig. 69).
5. Instalación de un apilamiento de mortajar (Fig. 68)
 - A) Coloque la arandela exterior (plana) de vuelta en el eje portaherramienta. Para cortar mortajas, esto servirá como la arandela interior.
 - B) Coloque las piezas deseadas del juego de mortajar en el eje portaherramienta.
 - C) Coloque la arandela suministrada del juego de accesorios de mortajar (TS1007) en el lado exterior del apilamiento de mortajar.
 - D) Coloque de nuevo la tuerca del eje portaherramienta en dicho eje y apriétela (Fig. 69).
6. Colocación de las hojas de mortajar y los astilladores: (vea la Fig. 68)

- Para realizar cortes de más de 1/4 de pulgada de ancho, coloque las dos hojas (cortadores) exteriores de mortajar en el eje. Las dos hojas exteriores de mortajar pueden ser diferentes. Consulte la información sobre la hoja y las instrucciones del fabricante para realizar una instalación correcta.
- Para realizar cortes más anchos (de hasta 13/16 de pulgada como máximo), se pueden colocar hojas astilladoras y espaciadores solamente entre las hojas (cortadores) exteriores.

FIG. 68



⚠ ADVERTENCIA Para reducir el riesgo de lesiones, no utilice nunca una sola hoja de mortajar para realizar cortes de aserrado pasante normal. No utilice nunca astilladores sin ambos cortadores exteriores. Lea y siga las instrucciones de utilización y seguridad incluidas con el juego de mortajar.

NOTA: La tuerca del eje portaherramienta debe estar completamente acoplada en las roscas del eje. Si la anchura apilada es de más de 1/2 pulgada, no use la arandela interior de la sierra de mesa. En lugar de ello, utilice la arandela accesoria para mortajar. Con esta sierra, no exceda un grosor apilado de más de 13/16 de pulgada.

7. Baje las hojas por debajo del tablero de la mesa e inserte el accesorio de inserción de la mesa de mortajar Bosch (TS1007) (Fig. 70). Suba los cortadores hasta la profundidad de corte deseada (por encima del accesorio de inserción). Asegúrese de que la herramienta no esté enchufada en una fuente de energía y luego gire cuidadosamente a mano los cortadores para asegurarse de que todos los componentes estén firmemente sujetos y que no haya interferencias.

8. Enchufe la sierra en la fuente de energía. Utilizando madera de desecho, haga cortes de mortajas de práctica y ajuste la altura según corresponda.

⚠ ADVERTENCIA Para reducir el riesgo de lesiones, no pase nunca las manos sobre las hojas de mortajar cuando estén cortando. Los cortes de mortajas son cortes no pasantes (ciegos). Muchas veces los cortadores no se pueden ver durante la realización del corte. Consulte la página 76 para obtener instrucciones sobre el aserrado no pasante.

⚠ ADVERTENCIA Para reducir el riesgo de lesiones, no haga nunca cortes a pulso. La pieza de trabajo se debe sostener contra el tope-guía o el calibre de ingletes de la sierra mientras se hace que dicha pieza avance. Siempre que sea posible, use palos de empujar o bloques de empujar para realizar cortes al hilo (consulte la página 122). Utilice siempre tablas de canto biselado, acopladas a la mesa o al tope-guía, cuando corte al hilo (consulte la página 123). Cuando corte transversalmente, sujete firmemente la pieza de trabajo contra el calibre de ingletes (consulte la página 119).

NOTA: Como los cortes de mortajas son cortes no pasantes, el calibre de ingletes se puede utilizar con el tope-guía bloqueado en su sitio. Esto es útil cuando se realizan cortes transversales repetitivos de mortajas desde los extremos de más de una pieza de trabajo. Cada pieza se sujeta contra el calibre de ingletes y su extremo se desliza a lo largo del tope-guía a una distancia prefijada.

Dependiendo de la profundidad de corte final y/o la densidad del material, es posible que sea necesario realizar múltiples cortes, comenzando con profundidades pequeñas de 1/4 a 1/2 pulgada y progresando hasta la profundidad final. Cuando realice muchos cortes repetitivos de mortajas, compruebe per-

iódicamente las piezas de trabajo para asegurarse de que se mantenga la profundidad de corte.

REGRESO DE LA SIERRA A CORTE PASANTE NORMAL

Después de completar el corte de ranuras, asegúrese de devolver las arandelas interior y exterior a las posiciones originales (consulte la página 100 para obtener detalles). Es importante que las arandelas de equipo original estén en las posiciones correctas para que la hoja de sierra se alinee siempre con la cuchilla separadora instalada permanentemente (Fig. 69).

JUEGOS DE MORTAJAR AJUSTABLES U OSCILANTES

⚠ ADVERTENCIA Para reducir el riesgo de lesiones, no use juegos de mortajar ajustables u "oscilantes" en esta sierra. Los juegos de mortajar ajustables se pueden ubicar fácilmente en posiciones que podrían interferir con los componentes de trabajo de esta sierra.

FIG. 69 USE LA ARANDELA INTERIOR USE LA ARANDELA ACCESORIA PARA MORTAJAR

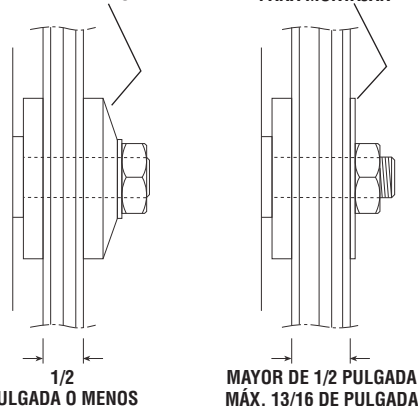
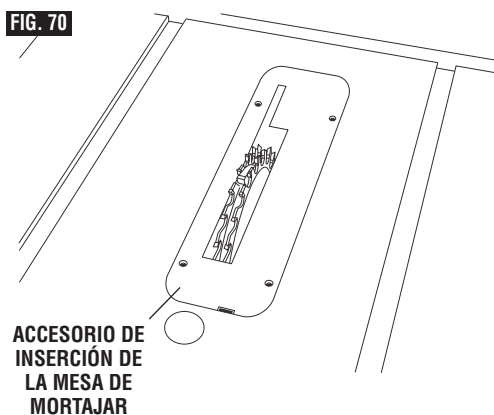


FIG. 70



INSTALACIÓN DE UN JUEGO DE FRESAS DE MOLDURAR

Se puede utilizar un juego de fresas de moldurar para añadir una variedad de bordes decorativos a una pieza de trabajo de madera. Estos bordes se ven comúnmente en molduras de orilla y muebles.

⚠ ADVERTENCIA Para reducir el riesgo de lesiones, desconecte siempre el enchufe de la fuente de energía antes de cambiar las hojas.

⚠ ADVERTENCIA Para reducir el riesgo de lesiones, utilice siempre el accesorio de inserción de la mesa de moldurar Bosch No. TS1009. No haga nunca cortes con las fresas de moldurar sin este accesorio de inserción. No utilice juegos de fresas de moldurar de más de 7 pulgadas de diámetro y con cortadores de más de 1 pulgada de ancho. No ajuste nunca los cortadores de moldurar a cualquier ángulo de bisel que no sea el ángulo de 0° vertical. Haga caso de las advertencias e instrucciones que se muestran aquí y las que acompañan al juego de fresas de moldurar. Si no se hace caso de estas advertencias, el resultado podría ser lesiones corporales graves.

NOTA: Deje la arandela interior en su posición de aserrado original. Instale la fresa de moldurar, luego la arandela exterior y luego la tuerca del eje portaherramienta. Asegúrese de que todos los cortadores y la tuerca del eje portaherramienta estén apretados firmemente. Algunos juegos de fresas de moldurar vienen con una arandela/espaciador de grosor adicional; esta pieza no se debe usar en la sierra de mesa 4100.

1. Desconecte el enchufe de la fuente de energía. Suba la hoja de sierra hasta la altura máxima.
2. Retire el ensamblaje del protector de barrera y el dispositivo antirretroceso (consulte la página 98 y 99). Baje la cuchilla separadora hasta su posición más baja y bloquéela.
3. Retire la placa de inserción de la mesa estándar.
4. Retire la tuerca del eje portaherramienta y solamente la arandela exterior de la hoja y la hoja de sierra (consulte la página 100). **NOTA:** Deje la arandela interior de la hoja en el eje portaherramienta.
5. Coloque la fresa de moldurar contra la arandela interior (con los cortadores orientados hacia la parte delantera de la sierra). Luego, coloque la arandela exterior y apriete la tuerca del eje portaherramienta en dicho eje.
6. Baje los cortadores por debajo del tablero de la mesa e inserte el accesorio de inserción de la mesa de moldurar Bosch (TS1009). Suba los cortadores hasta la profundidad de corte deseada (por encima del accesorio de inserción). Asegúrese de que la herramienta no esté enchufada en una fuente de energía; luego, gire cuidadosamente a mano los cortadores para asegurarse de que todos los componentes estén sujetos firmemente y que no haya interferencias.
7. Enchufe la sierra en la fuente de energía. Utilizando madera de desecho, haga cortes de moldura de práctica y ajuste la altura según corresponda.

⚠ ADVERTENCIA Para reducir el riesgo de lesiones, no pase nunca las manos sobre los cortadores de las fresas de moldurar cuando estén cortando.

Los cortes de moldura son cortes no pasantes (ciegos). Muchas veces los cortadores no se pueden ver durante la realización del corte. Consulte la página 123 para obtener instrucciones sobre el aserrado no pasante. La pieza de trabajo se debe sostener contra el tope-guía de la sierra mientras se hace que dicha pieza avance. Se debe acoplar un tope-guía auxiliar al tope-guía de la sierra (consulte la página 119). No haga nunca cortes a pulso. Siempre que sea posible, use palos de empujar y bloques de empujar para realizar cortes de molduras (consulte la página 122). Use tablas de canto biselado y sujeciones, acopladas a la mesa o al tope-guía (consulte la página 123). **IMPORTANTE:** Siga todas las instrucciones y advertencias que vienen con el juego de fresas de moldurar.

REGRESO DE LA SIERRA A CORTE PASANTE NORMAL

Después de completar el corte de moldura, asegúrese de devolver las arandelas interior y exterior a las posiciones originales (consulte la página 100 para obtener detalles). Es importante que las arandelas de equipo original estén en las posiciones correctas para que la hoja de sierra se alinee siempre con la cuchilla separadora instalada permanentemente.

FIG. 71

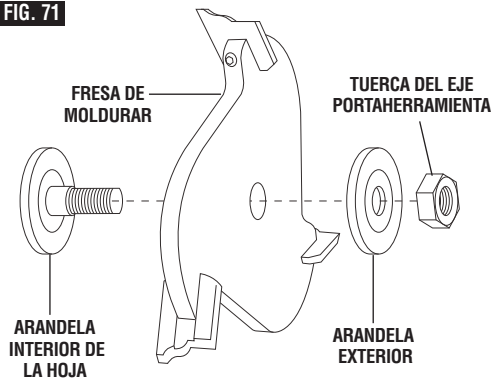
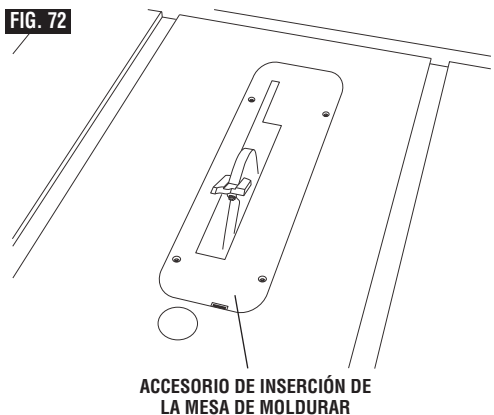


FIG. 72



TÉCNICAS DE CORTE ESPECIALES

ADVERTENCIA Esta sierra de mesa es una herramienta de gran versatilidad, capaz de realizar una amplia gama de cortes altamente especializados que no se pueden cubrir en este manual. No intente realizar cortes no cubiertos en este manual, a menos que esté muy familiarizado con las procedimientos y la utilización de dispositivos de fijación.

Vaya a la biblioteca local para obtener libros sobre técnicas de trabajo en madera tales como: The Complete Book of Stationary Power Tool Techniques (El Libro completo de técnicas para

herramientas mecánicas estacionarias) de R.J. De Christoforo o Table Saw Techniques (Técnicas para sierras de mesa) de R. Cliffe.

CORTE DE METALES Y MAMPOSTERÍA

ADVERTENCIA Esta sierra de mesa no se recomienda para cortar metales tales como aluminio o cobre, incluso con una hoja especial diseñada para cortar estos materiales.

ADVERTENCIA Esta sierra de mesa no se recomienda para cortar material de mampostería, incluso con ruedas de corte abrasivas.

Mantenimiento de la sierra de mesa

MANTENIMIENTO

ADVERTENCIA Para su propia seguridad, apague el interruptor (posición "OFF") y saque el enchufe del tomacorriente de la fuente de energía antes de realizar mantenimiento de la sierra o de lubricarla.

No permita que se acumule serrín dentro de la sierra. Frecuentemente haga salir por aspiración todo el polvo que se pueda acumular dentro de la caja de la sierra y el motor. Limpie sus herramientas de corte con un quitagomas y quitaesinas.

Limpie periódicamente el protector. Límpielo con un paño o con aire comprimido.

Hay que limpiar el cordón y la herramienta con un paño limpio y seco para evitar el deterioro debido al aceite y la grasa.

PRECAUCION Ciertos agentes de limpieza y disolventes pueden dañar las piezas de plástico. Algunos de estos son: gasolina, tetracloruro de carbono, disolventes de limpieza clorados, amoníaco y detergentes domésticos que contienen amoníaco. El evitar utilizar estos y otros tipos de agentes de limpieza minimizará la posibilidad de que se produzcan daños.

Una capa de pasta de cera del tipo para automóvil aplicada a la mesa ayudará a mantener la superficie limpia y permitirá que las piezas de trabajo se deslicen más libremente.

Si el cordón de energía está desgastado o cortado, o dañado de cualquier otra manera, haga que lo cambien inmediatamente.

Asegúrese de que los dientes de los trinquetes ANTIRRETROCESO siempre están afilados. Para afilarlos:

1. Quite el protector de la hoja.

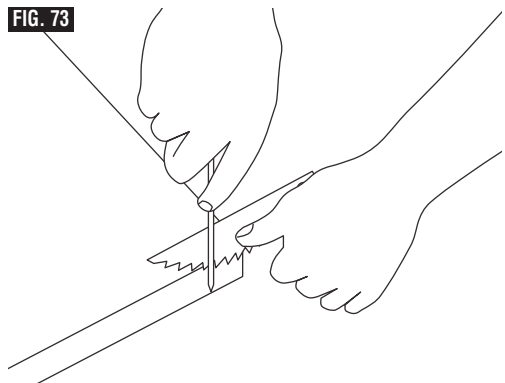
2. Gire el trinquete hacia la parte posterior del separador para que los dientes se encuentren por encima de la parte superior del separador.

3. Sujete el separador con la mano izquierda y coloque el trinquete sobre la esquina del banco de trabajo (Fig. 73).

4. Utilizando una pequeña lima redonda (picadura dulce), afile los dientes.

ADVERTENCIA Todas las reparaciones, eléctricas o mecánicas, deben ser realizadas únicamente por técnicos de reparación capacitados. Póngase en contacto con el Centro de servicio de fábrica más próximo o con la Estación de servicio autorizada o con otro servicio de reparaciones competente. Utilice únicamente piezas de repuesto idénticas; cualquier otra puede constituir un peligro.

FIG. 73



LUBRICACIÓN

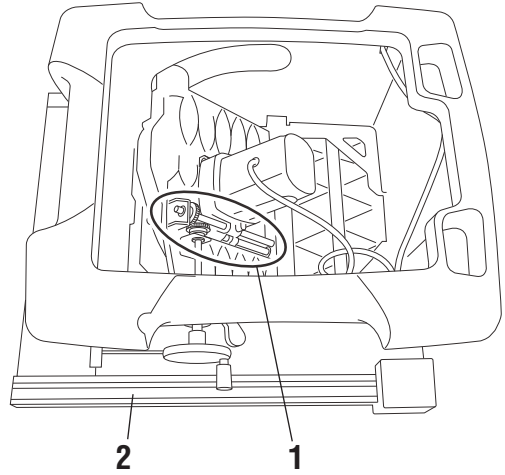
La caja de engranajes ha sido completamente lubricada en fábrica. Sin embargo, después de seis meses a un año, según el uso, es aconsejable llevar la herramienta al Centro de servicio más cercano para hacer lo siguiente:

- Cambiar las escobillas.
- Limpiar e inspeccionar piezas.
- Relubricar con lubricante nuevo.
- Comprobar el sistema eléctrico
- Todas las reparaciones.

Las piezas siguientes deben engrasarse de vez en cuando con aceite SAE No. 20 ó No. 30, o WD 40 (Fig. 74).

1. Varillas de soporte de elevación y engranajes
2. Rieles deslizantes y soportes
3. Levas de fijación de la mesa (delantera y trasera)

FIG. 74



Accesorios recomendados

Artículo	No. de cat.	Artículo	No. de cat.
Soporte de avance de salida trasero	TS1002	Accesorio de inserción de moldeado	TS1009
Soporte de avance de salida izquierdo	TS1003	Sistema de guía de empuje	TS1010
Bolsa para polvo	TS1004	Base de soporte de elevación por gravedad con ruedas para sierras de mesa	Gravity-Rise TS2000
Accesorio de inserción de holgura cero	TS1005		
Juego de accesorio de inserción de mortajar	TS1007		

ADVERTENCIA

Utilice únicamente accesorios recomendados. Siga las instrucciones que acompañan a los accesorios. La utilización de accesorios inadecuados puede ocasionar peligros.

Localización y reparación de averías

ADVERTENCIA

Apague el interruptor (posición "OFF") y saque siempre el enchufe de la fuente de energía antes de localizar y reparar averías.

AVERIA: LA SIERRA NO ARRANCA

- PROBLEMA**
1. El cordón de energía no está enchufado.
 2. El fusible o el cortacircuito ha saltado.
 3. Cordón dañado.
 4. Interruptor quemado
- REMEDIO**
1. Enchufe la sierra.
 2. Cambie el fusible o reajuste el cortacircuito que ha saltado.
 3. Haga cambiar el cordón en un Centro de servicio Bosch autorizado o en una Estación de servicio Bosch autorizada.
 4. Haga cambiar el interruptor en un Centro de servicio Bosch autorizado o en una Estación de servicio Bosch autorizada.

AVERIA: LA HOJA NO ALCANZA TODA SU VELOCIDAD

- PROBLEMA**
1. Cordón de extensión demasiado ligero o demasiado largo.
 2. Voltaje de red bajo.
- REMEDIO**
1. Sustitúyalo con un cordón adecuado.
 2. Póngase en contacto con la compañía eléctrica.

AVERIA: VIBRACION EXCESIVA

- PROBLEMA**
1. No se ha apretado el mango de fijación de la inclinación.
 2. Hoja desequilibrada.
 3. Sierra no montada firmemente en un apoyo o banco de trabajo.
 4. Tuerca del eje portaherramienta no apretada.
- REMEDIO**
1. Vea la sección "Familiarización con la sierra de mesa", (páginas 95 - 96).
 2. Tire la hoja y use una hoja distinta.
 3. Apriete todas las piezas de montaje. Vea la sección "Montaje de la sierra de mesa", (página 101).
 4. Vea la sección "Ensamblaje", "Cambio de la hoja" (página 100).

AVERIA: NO SE PUEDE HACER UN CORTE EN ANGULO RECTO AL CORTAR TRANSVERSALMENTE

- PROBLEMA**
1. Calibre de ingletes no ajustado adecuadamente.
- REMEDIO**
- Vea la sección "Ajustes de funcionamiento", "Ajuste del calibre de ingletes" (página 103).

AVERIA: EL CORTE SE ATASCA, QUEMA, DETIENE EL MOTOR AL CORTAR AL HILO

- PROBLEMA**
1. Hoja desafilada con triscado inadecuado de los dientes.
 2. Tabla combada.
 3. Tope-guía para cortar al hilo no paralelo a la hoja.
 4. Separador desalineado.
- REMEDIO**
1. Afile o cambie la hoja.
 2. Asegúrese de que el lado cóncavo o ahuecado está orientado HACIA ABAJO y haga avanzar lentamente.
 3. Vea la sección "Ajustes de funcionamiento", "Alineación del tope-guía para cortar al hilo" (página 104).
 4. Vea la sección "Ensamblaje", "Colocación del protector de la hoja" (página 98 - 99).

AVERIA: CORTE NO ALINEADO EN LAS POSICIONES DE 90° O 45°

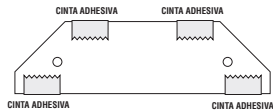
- PROBLEMA**
1. Tornillos de ajuste no ajustados adecuadamente.
- REMEDIO**
1. Vea la sección "Ajustes de funcionamiento", "Ajuste de la hoja paralela al calibre de ingletes" (página 103).

AVERIA: RUEDA DE ELEVACION DEL MANGO DE FIJACION DE LA INCLINACION DIFICIL DE MOVER

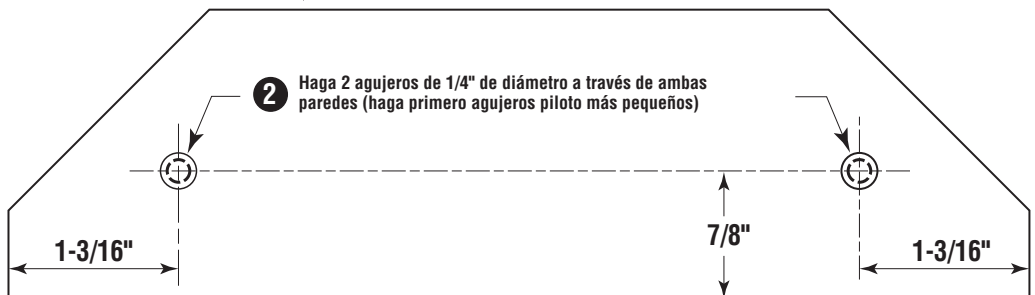
- PROBLEMA**
1. Mango de fijación de la inclinación no aflojado al realizar el ajuste de inclinación.
 2. Serrín en las roscas del tornillo de profundidad.
- REMEDIO**
1. Vea la sección "Familiarización con la sierra de mesa", "Pomo de fijación de la inclinación de la hoja" (página 98 - 99).
 2. Vea la sección "Mantenimiento de la sierra de mesa", "Lubricación" (página 127).

PLANTILLA PARA EL CALIBRE DE INGLETES: PARA AÑADIR AGUJEROS DE MONTAJE (PARA COLOCAR UN REFRENTADO AUXILIAR)

SIGA LOS PASOS: **1** **2**



1 Corte la plantilla alrededor de los bordes exteriores, colóquela sobre la cara del calibre de ingletes, de la manera que se muestra más arriba, y sujétela con cinta adhesiva.



Notes:

Remarques :

Notas:

LIMITED WARRANTY OF BOSCH PORTABLE AND BENCHTOP POWER TOOLS

Robert Bosch Tool Corporation ("Seller") warrants to the original purchaser only, that all BOSCH portable and benchtop power tools will be free from defects in material or workmanship for a period of one year from date of purchase. SELLER'S SOLE OBLIGATION AND YOUR EXCLUSIVE REMEDY under this Limited Warranty and, to the extent permitted by law, any warranty or condition implied by law, shall be the repair or replacement of parts, without charge, which are defective in material or workmanship and which have not been misused, carelessly handled, or misrepaired by persons other than Seller or Authorized Service Station. To make a claim under this Limited Warranty, you must return the complete portable or benchtop power tool product, transportation prepaid, to any BOSCH Factory Service Center or Authorized Service Station. For Authorized BOSCH Power Tool Service Stations, please refer to your phone directory.

THIS LIMITED WARRANTY DOES NOT APPLY TO ACCESSORY ITEMS SUCH AS CIRCULAR SAW BLADES, DRILL BITS, ROUTER BITS, JIGSAW BLADES, SANDING BELTS, GRINDING WHEELS AND OTHER RELATED ITEMS.

ANY IMPLIED WARRANTIES SHALL BE LIMITED IN DURATION TO ONE YEAR FROM DATE OF PURCHASE. SOME STATES IN THE U.S., SOME CANADIAN PROVINCES DO NOT ALLOW LIMITATIONS ON HOW LONG AN IMPLIED WARRANTY LASTS, SO THE ABOVE LIMITATION MAY NOT APPLY TO YOU.

IN NO EVENT SHALL SELLER BE LIABLE FOR ANY INCIDENTAL OR CONSEQUENTIAL DAMAGES (INCLUDING BUT NOT LIMITED TO LIABILITY FOR LOSS OF PROFITS) ARISING FROM THE SALE OR USE OF THIS PRODUCT. SOME STATES IN THE U.S. AND SOME CANADIAN PROVINCES DO NOT ALLOW THE EXCLUSION OR LIMITATION OF INCIDENTAL OR CONSEQUENTIAL DAMAGES, SO THE ABOVE LIMITATION OR EXCLUSION MAY NOT APPLY TO YOU.

THIS LIMITED WARRANTY GIVES YOU SPECIFIC LEGAL RIGHTS, AND YOU MAY ALSO HAVE OTHER RIGHTS WHICH VARY FROM STATE TO STATE IN THE U.S., PROVINCE TO PROVINCE IN CANADA AND FROM COUNTRY TO COUNTRY.

THIS LIMITED WARRANTY APPLIES ONLY TO PORTABLE AND BENCHTOP ELECTRIC TOOLS SOLD WITHIN THE UNITED STATES OF AMERICA, CANADA AND THE COMMONWEALTH OF PUERTO RICO. FOR WARRANTY COVERAGE WITHIN OTHER COUNTRIES, CONTACT YOUR LOCAL BOSCH DEALER OR IMPORTER.

GARANTIE LIMITÉE DES OUTILS ÉLECTRIQUES PORTATIFS ET D'ÉTABLI BOSCH

Robert Bosch Tool Corporation (le « vendeur ») garantit à l'acheteur initial seulement que tous les outils électriques portatifs et d'établi BOSCH seront exempts de vices de matériaux ou d'exécution pendant une période d'un an depuis la date d'achat. LA SEULE OBLIGATION DU VENDEUR ET LE SEUL RECOURS DE L'ACHETEUR sous la présente garantie limitée, et en autant que la loi le permette sous toute garantie ou condition implicite qui en découlerait, sera l'obligation de remplacer ou réparer gratuitement les pièces défectueuses matériellement ou comme fabrication, pourvu que lesdites défectuosités ne soient pas attribuables à un usage abusif ou à quelque réparation bricolée par quelqu'un d'autre que le vendeur ou le personnel d'une station-service agréée. Pour présenter une réclamation en vertu de cette garantie limitée, vous devez renvoyer l'outil électrique portatif ou d'établi complet, port payé, à tout centre de service agréé ou centre de service usine. Veuillez consulter votre annuaire téléphonique pour les adresses.

LA PRÉSENTE GARANTIE NE S'APPLIQUE PAS AUX ACCESSOIRES TELS QUE LAMES DE SCIES CIRCULAIRES, MÊCHES DE PERCEUSES, FERS DE TOUPIES, LAMES DE SCIES SAUTEUSES, COURROIES DE PONÇAGE, MEULES ET AUTRES ARTICLES DU GENRE.

TOUTE GARANTIE IMPLICITE SERA LIMITÉE COMME DURÉE À UN AN À COMPTER DE LA DATE D'ACHAT. CERTAINS ÉTATS AMÉRICAINS, CERTAINES PROVINCES CANADIENNES N'ADMETTANT PAS LE PRINCIPE DE LA LIMITATION DE LA DURÉE DES GARANTIES IMPLICITES, IL EST POSSIBLE QUE LES LIMITATIONS CI-DESSUS NE S'APPLIQUENT PAS À VOTRE CAS.

EN AUCUN CAS LE VENDEUR NE SAURAIT ÊTRE TENU POUR RESPONSABLE DES INCIDENTS OU DOMMAGES INDIRECTS (INCLUANT, MAIS NE SE LIMITANT PAS AUX PERTES DE PROFITS) CONSÉCUTIFS À LA VENTE OU L'USAGE DE CE PRODUIT. CERTAINS ÉTATS AMÉRICAINS ET CERTAINES PROVINCES CANADIENNES N'ADMETTANT PAS LE PRINCIPE DE LA LIMITATION NI L'EXCLUSION DES DOMMAGES INDIRECTS ET CONSÉQUENTIELS, IL EST POSSIBLE QUE LES LIMITATIONS OU EXCLUSIONS CI-DESSUS NE S'APPLIQUENT PAS À VOTRE CAS.

LA PRÉSENTE GARANTIE VOUS ACCORDE DES DROITS BIEN DÉTERMINÉS, Y COMPRIS POSSIBLEMENT CERTAINS DROITS VARIABLES DANS LES DIFFÉRENTS ÉTATS AMÉRICAINS, PROVINCES CANADIENNE ET DE PAYS À PAYS.

CETTE GARANTIE LIMITÉE NE S'APPLIQUE QU'AUX OUTILS ÉLECTRIQUES PORTATIFS ET D'ÉTABLI VENDUS AUX ÉTATS-UNIS D'AMÉRIQUE, AU CANADA ET AU COMMONWEALTH DE PORTO RICO. POUR COUVERTURE DE GARANTIE DANS LES AUTRES PAYS, CONTACTEZ VOTRE IMPORTATEUR OU REVENDEUR BOSCH LOCAL.

GARANTIA LIMITADA PARA HERRAMIENTAS MECANICAS PORTATILES Y PARA TABLERO DE BANCO BOSCH

Robert Bosch Tool Corporation ("el Vendedor") garantiza, únicamente al comprador original, que todas las herramientas mecánicas portátiles y para tablero de banco BOSCH estarán libres de defectos de material o de fabricación durante un período de un año a partir de la fecha de compra. LA ÚNICA OBLIGACION DEL VENDEADOR Y EL RECURSO EXCLUSIVO QUE USTED TIENE bajo esta Garantía Limitada y, hasta donde la ley lo permita, bajo cualquier garantía o condición implícita por ley, consistirá en la reparación o sustitución sin costo de las piezas que presenten defectos de material o de fabricación y que no hayan sido utilizadas incorrectamente, manejadas descuidadamente o reparadas incorrectamente por personas que no sean el Vendedor o una Estación de servicio autorizada. Para efectuar una reclamación bajo esta Garantía Limitada, usted debe devolver el producto, que consiste en la herramienta mecánica portátil o para tablero de banco completa, con el transporte pagado, a cualquier Centro de servicio de fábrica o Estación de servicio autorizada. Para Estaciones de servicio autorizadas de herramientas mecánicas BOSCH, por favor, consulte el directorio telefónico.

ESTA GARANTIA LIMITADA NO SE APLICA A ARTICULOS ACCESORIOS TALES COMO HOJAS PARA SIERRAS CIRCULARES, BROCAS PARA TALADROS, BROCAS PARA FRESADORAS, HOJAS PARA SIERRAS DE VAIVEN, CORREAS PARA LIJAR, RUEDAS DE AMOLAR Y OTROS ARTICULOS RELACIONADOS.

TODAS LAS GARANTIAS IMPLICITAS TENDRAN UNA DURACION LIMITADA A UN AÑO A PARTIR DE LA FECHA DE COMPRA. ALGUNOS ESTADOS DE LOS EE.UU. Y ALGUNAS PROVINCIAS CANADIENSES NO PERMITEN LIMITACIONES EN CUANTO A LA DURACION DE UNA GARANTIA IMPLICITA, POR LO QUE ES POSIBLE QUE LA LIMITACION ANTERIOR NO SEA APLICABLE EN EL CASO DE USTED.

EL VENDEADOR NO SERA RESPONSABLE EN NINGUN CASO DE NINGUN DAÑO INCIDENTAL O EMERGENTE (INCLUYENDO PERO NO LIMITADO A RESPONSABILIDAD POR PERDIDA DE BENEFICIOS) QUE SE PRODUZCA COMO CONSECUENCIA DE LA VENTA O UTILIZACION DE ESTE PRODUCTO. ALGUNOS ESTADOS DE LOS EE.UU. Y ALGUNAS PROVINCIAS CANADIENSES NO PERMITEN LA EXCLUSION O LIMITACION DE LOS DAÑOS INCIDENTALES O EMERGENTES, POR LO QUE ES POSIBLE QUE LA LIMITACION O EXCLUSION ANTERIOR NO SEA APLICABLE EN EL CASO DE USTED.

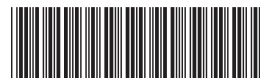
ESTA GARANTIA LIMITADA LE CONFIERE A USTED DERECHOS LEGALES ESPECIFICOS Y ES POSIBLE QUE USTED TAMBIEN TENGA OTROS DERECHOS QUE VARIAN DE ESTADO A ESTADO EN LOS EE.UU., DE PROVINCIA A PROVINCIA EN CANADA Y DE UN PAIS A OTRO.

ESTA GARANTIA LIMITADA SE APLICA SOLAMENTE A HERRAMIENTAS ELECTRICAS PORTATILES Y PARA TABLERO DE BANCO VENDIDAS EN LOS ESTADOS UNIDOS DE AMERICA, CANADA Y EL ESTADO LIBRE ASOCIADO DE PUERTO RICO. PARA COBERTURA DE GARANTIA EN OTROS PAISES, PONGASE EN CONTACTO CON SU DISTRIBUIDOR O IMPORTADOR LOCAL DE BOSCH.

© Robert Bosch Tool Corporation 1800 W. Central Road Mt. Prospect, IL 60056-2230

Exportado por: Robert Bosch Tool Corporation Mt. Prospect, IL 60056-2230, E.U.A.

Importado en México por: Robert Bosch, S.A. de C.V., Calle Robert Bosch No. 405, Zona Industrial, Toluca, Edo. de México, C.P. 50070, Tel. (722) 2792300



2 6 1 0 0 1 6 7 7 0