



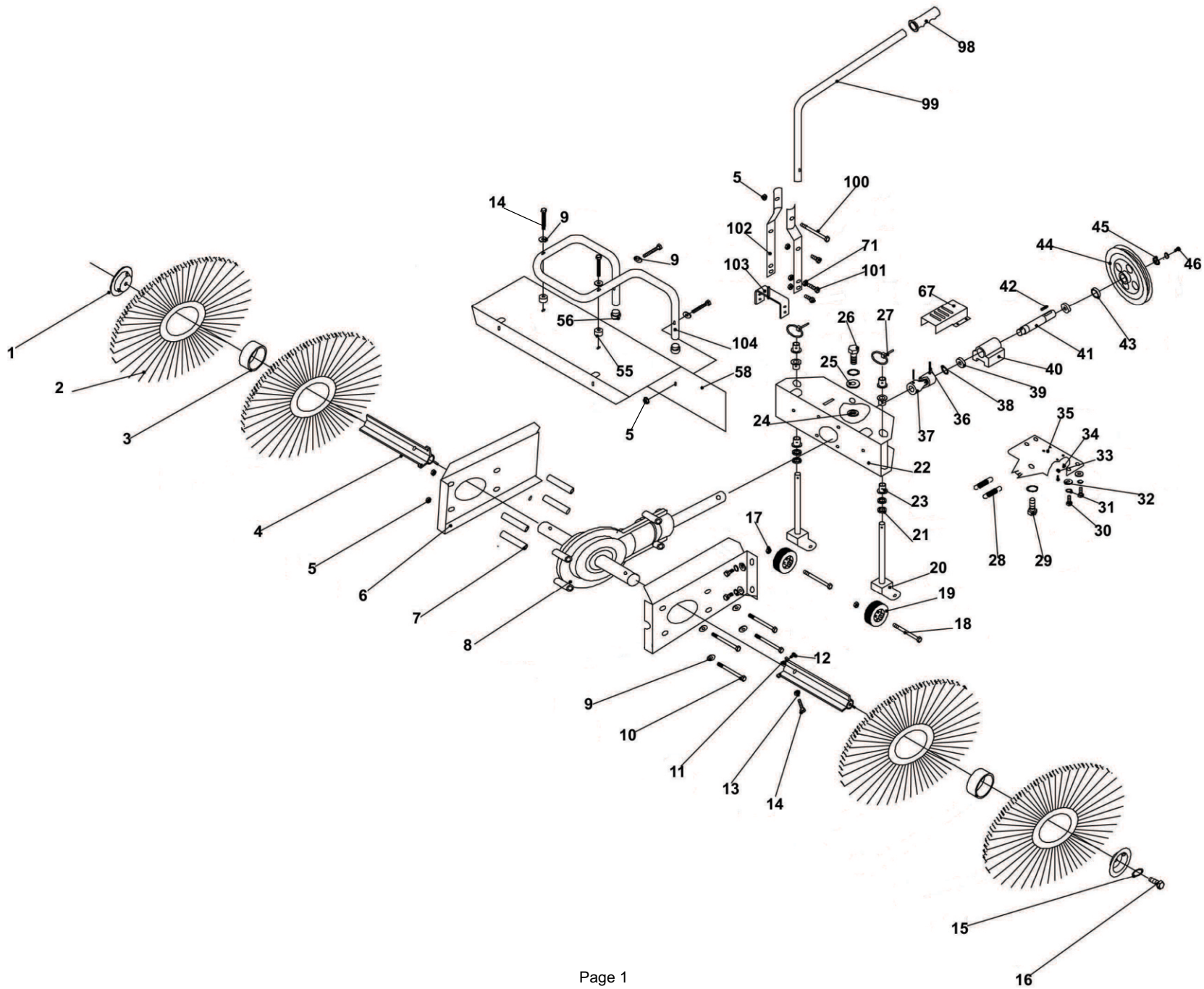
Breakdown and Part list
Schéma et le liste de pièce

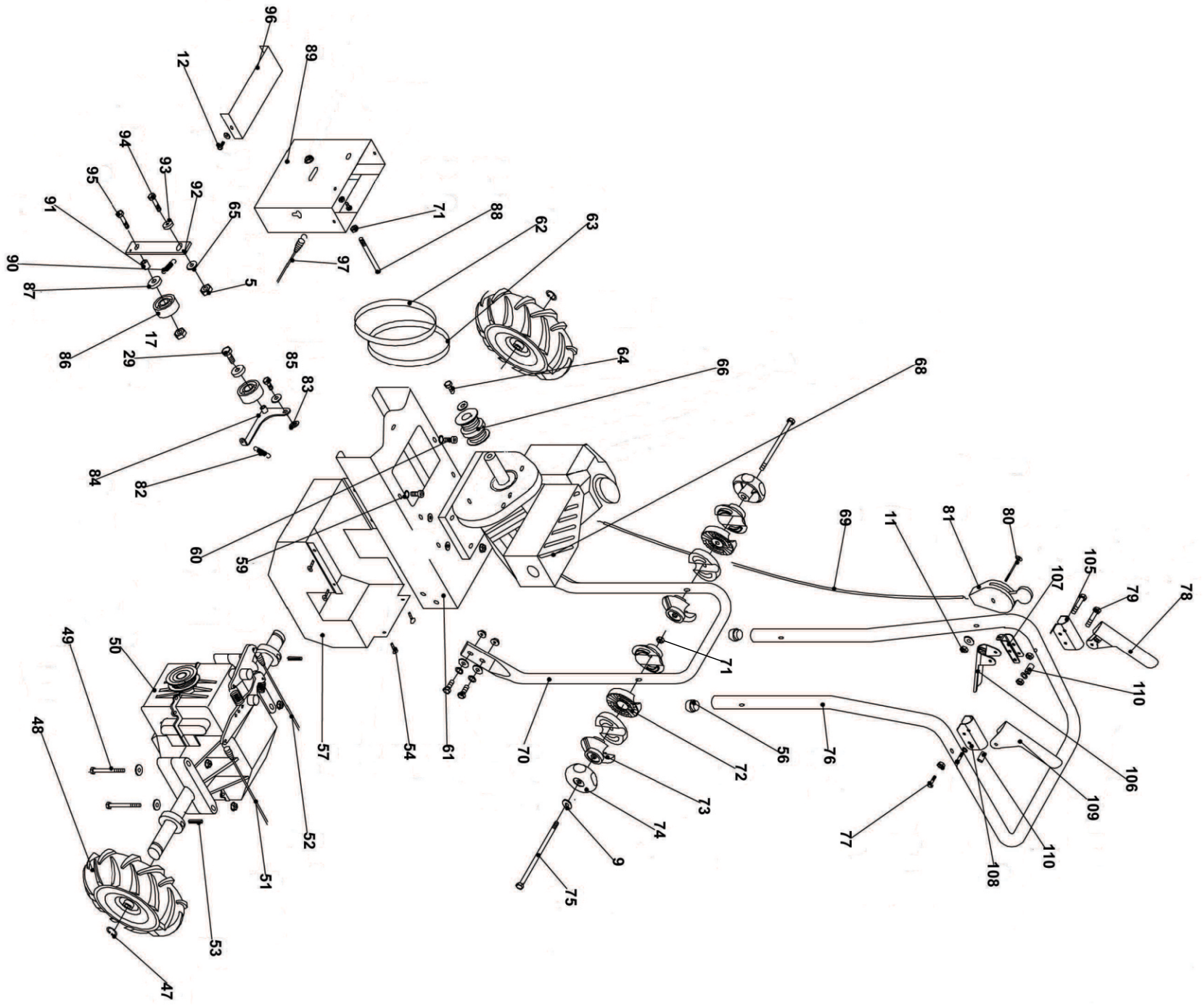
SWEEPER
(SWEEPER 24)

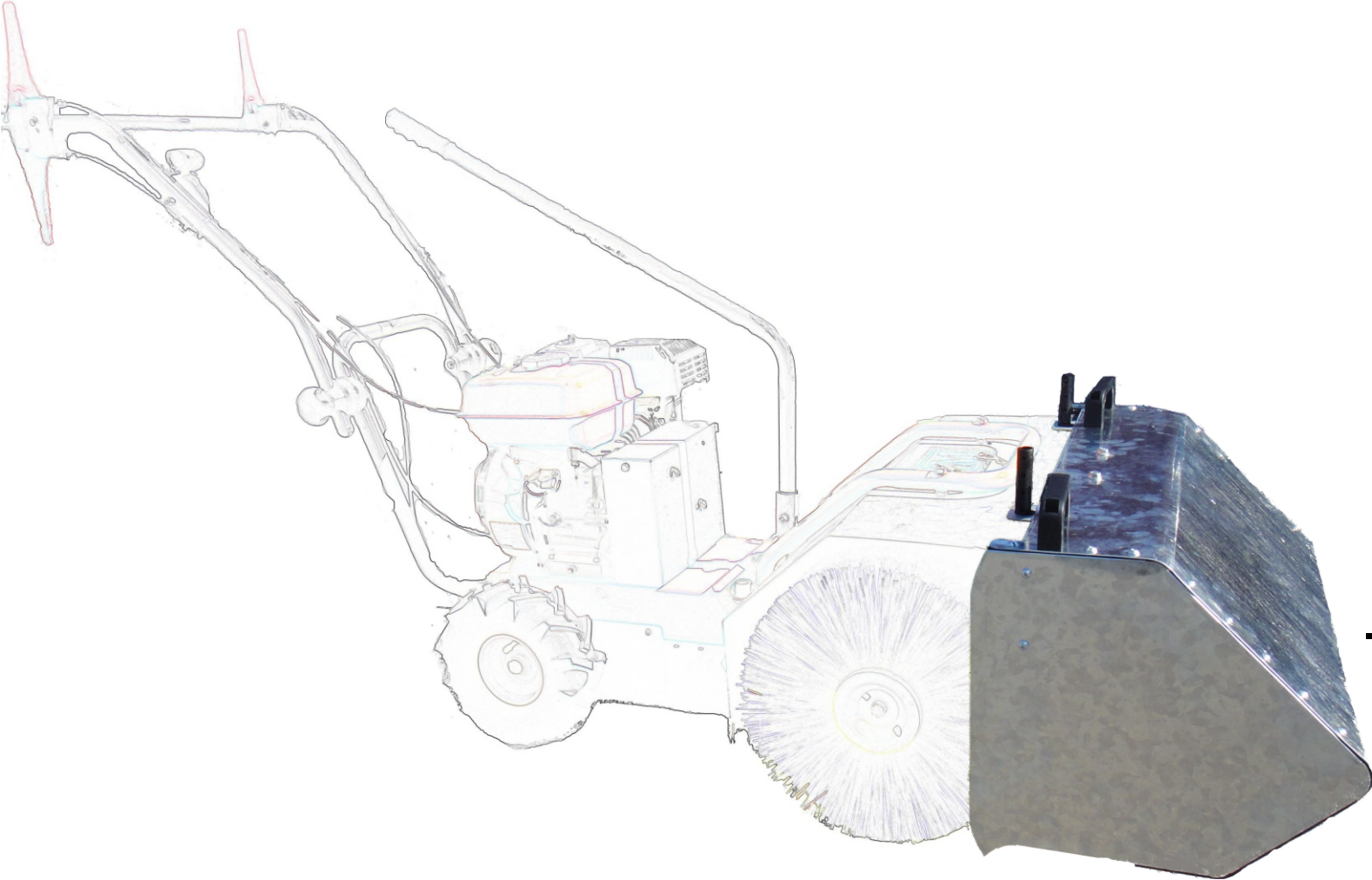


Tel.: 1-877-405-2626, Fax: 1-877-405-8686
web site: www.cm-equip.com
e-mail: info@cm-equip.com

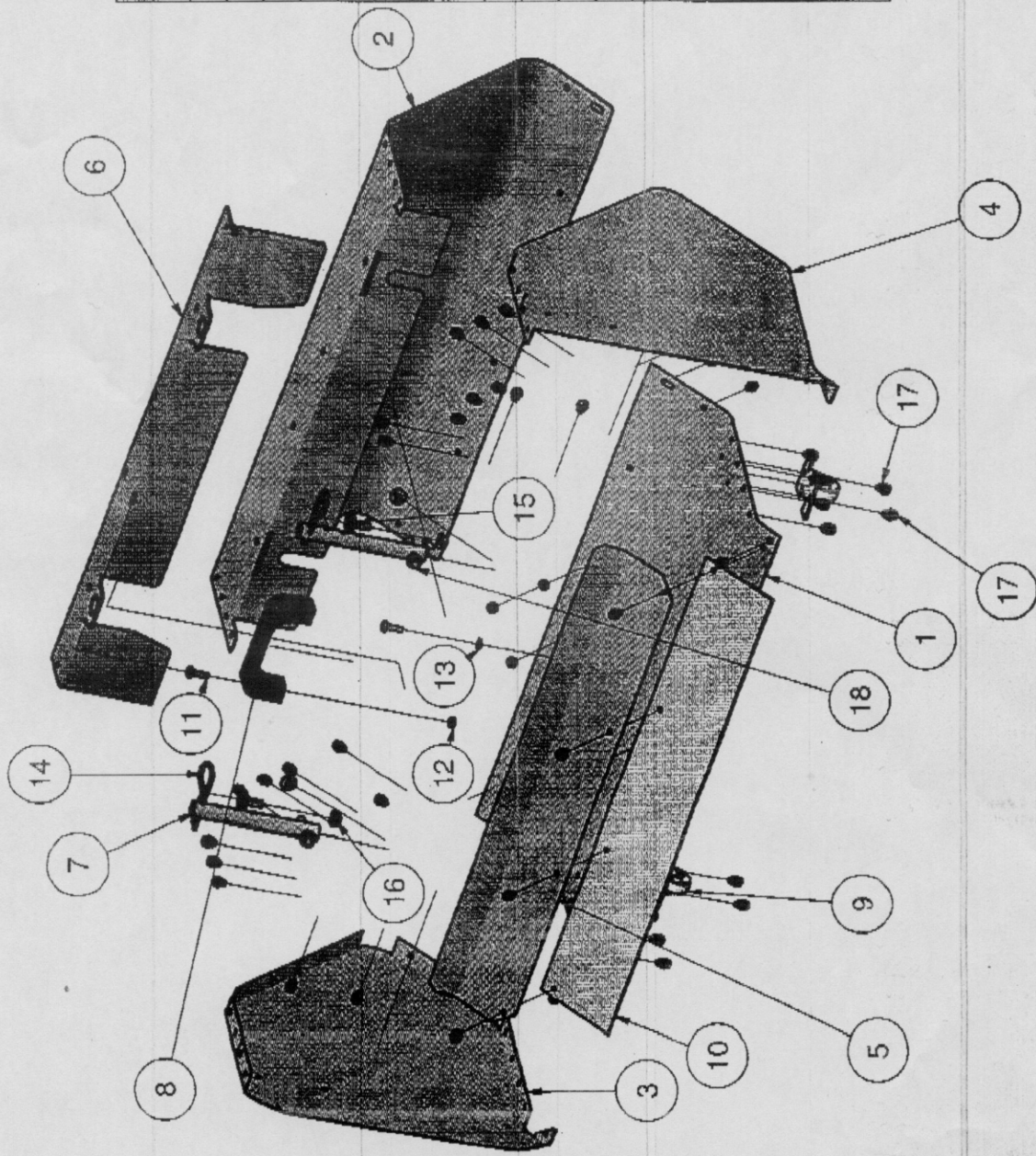
Pour autres schémas et la liste des pièces, veuillez visiter notre site web: www.cm-equip.com.
For other breakdowns and part lists, please visit our web site: www.cm-equip.com.







■ sw24-Catcher



Parts List

ITEM	QTY	PART NUMBER
1	1	90228020
2	1	90228018
3	1	90228022
4	1	90228024
5	1	90228026
6	1	90228028
7	2	90228029
8	2	B71
9	2	90228025
10	1	90228012
11	4	B70
12	4	90102328
13	4	90100661
14	2	90102554
15	2	90122150
16	4	90122180
17	46	Bolt 90122401
		Nut 90180950
18	2	90122161

PART NO.	DESCRIPTION	PART NO.	DESCRIPTION	PART NO.	DESCRIPTION
.sw24-01	BOTTOMBOWL	.sw24-38	SPPINDLE CIRCLIP	.sw24-75	BOLT M8X100
.sw24-02	SET OF BRUSHES (14 pcs)	.sw24-39	BEARING	.sw24-76	UPPER HANDLE
.sw24-03	BUSHING	.sw24-40	BEARING HOUSE	.sw24-77	SCREW M6X40
.sw24-04	BRUSH TUBE	.sw24-41	TRANSMISSION SHAFT	.sw24-78	R. UPPER HANDLE (Clutch)
.sw24-05	NUT M8	.sw24-42	FLAT KEY A5X20	.sw24-79	SCREW M6X60
.sw24-06	GEAR HOLDER RIGHT	.sw24-43	BUSHING	.sw24-80	BOLT M6X60
.sw24-07	BUSHING	.sw24-44	PULLEY	.sw24-81	THROTTLE CONTROL
.sw24-08	GEAR BOX I	.sw24-45	STEPWASHER	.sw24-82	SPRING
.sw24-09	FLAT WASHER 8	.sw24-46	BOLT M8X20	.sw24-83	WASHER
.sw24-10	SCREW M8X20	.sw24-47	SPPINDLE CIRCLIP	.sw24-84	BRACKET
.sw24-11	NUT M6	.sw24-48	TYRE	.sw24-85	SPACER BUSHING
.sw24-12	BOLT M6X12	.sw24-49	BOLT M8X70	.sw24-86	IDLE PULLEY
.sw24-13	NUT M8	.sw24-50	GEAR WALKER	.sw24-87	BEARING
.sw24-14	BOLT M8X45	.sw24-51	CABLE REVERSE	.sw24-88	SCREW
.sw24-15	WASHER 10	.sw24-52	CABLE FORWARD	.sw24-89	BELT BOX 2005
.sw24-16	BOLT M10X55	.sw24-53	ROUND PIN M8 X 45	.sw24-90	SPRING
.sw24-17	NUT M10	.sw24-54	SCREW M5X8	.sw24-91	BUSHING
.sw24-18	BOLT M10X55	.sw24-55	BUSHING	.sw24-92	BRACKET
.sw24-19	GUIDING WHEEL	.sw24-56	PLASTIC PLUG	.sw24-93	WASHER
.sw24-20	WHEEL FORK	.sw24-57	LOWER SCREEN 2005	.sw24-94	BOLT M8X25
.sw24-21	PLASTIC SPACERS	.sw24-58	SWEEPER TOP SCREEN	.sw24-95	BOLT M10X40
.sw24-22	SWING CONSOL	.sw24-59	WASHER	.sw24-96	COVER BELT BOX
.sw24-23	PLASTIC BUSHING	.sw24-60	SCREW M8X20	.sw24-97	CLUTH CABLE
.sw24-24	STEPWASHER —UPPER	.sw24-61	ENGINE BASE	.sw24-98	HANDLE GRIP
.sw24-25	FLATE WASHER 10	.sw24-62	BELT 1 (8PJ 685)	.sw24-99	TURNTUBE SHORT
.sw24-26	BOLT M10X30	.sw24-63	BELT 2 (8PJ 620)	.sw24-100	BOLT M8X50
.sw24-27	CIRCLIPS	.sw24-64	BOLT 5/16"	.sw24-101	BOLT M8X35
.sw24-28	SWING SPRING	.sw24-65	BUSHING SPACER	.sw24-102	TURN BRACKET
.sw24-29	BOLT M10X20	.sw24-66	PULLEY	.sw24-103	CATCH BRACKET
.sw24-30	BOLT M8X16	.sw24-67	PROTECTION COVER	.sw24-104	COVERTUBE
.sw24-31	SPRING WASHER 8	.sw24-68	ENGINE	.sw24-105	R. UPPER BRACKET
.sw24-32	WASHER	.sw24-69	CABLE THROTTLE	.sw24-106	R. LOWER HANDLE
.sw24-33	NUT M6	.sw24-70	LOWER HANDLE	.sw24-107	R. LOWER BRACKET
.sw24-34	BOLT M6X16	.sw24-71	NUT M8	.sw24-108	L. UPPER BRACKET
.sw24-35	BRACKET	.sw24-72	PLASTIC BRACKET	.sw24-109	L. HANDLE
.sw24-36	ROUND PIN 5X40	.sw24-73	PLASTIC BRACKET	.sw24-110	BRACKET IN-SPACER
.sw24-37	MULTI JOINTS	.sw24-74	WING NUT		