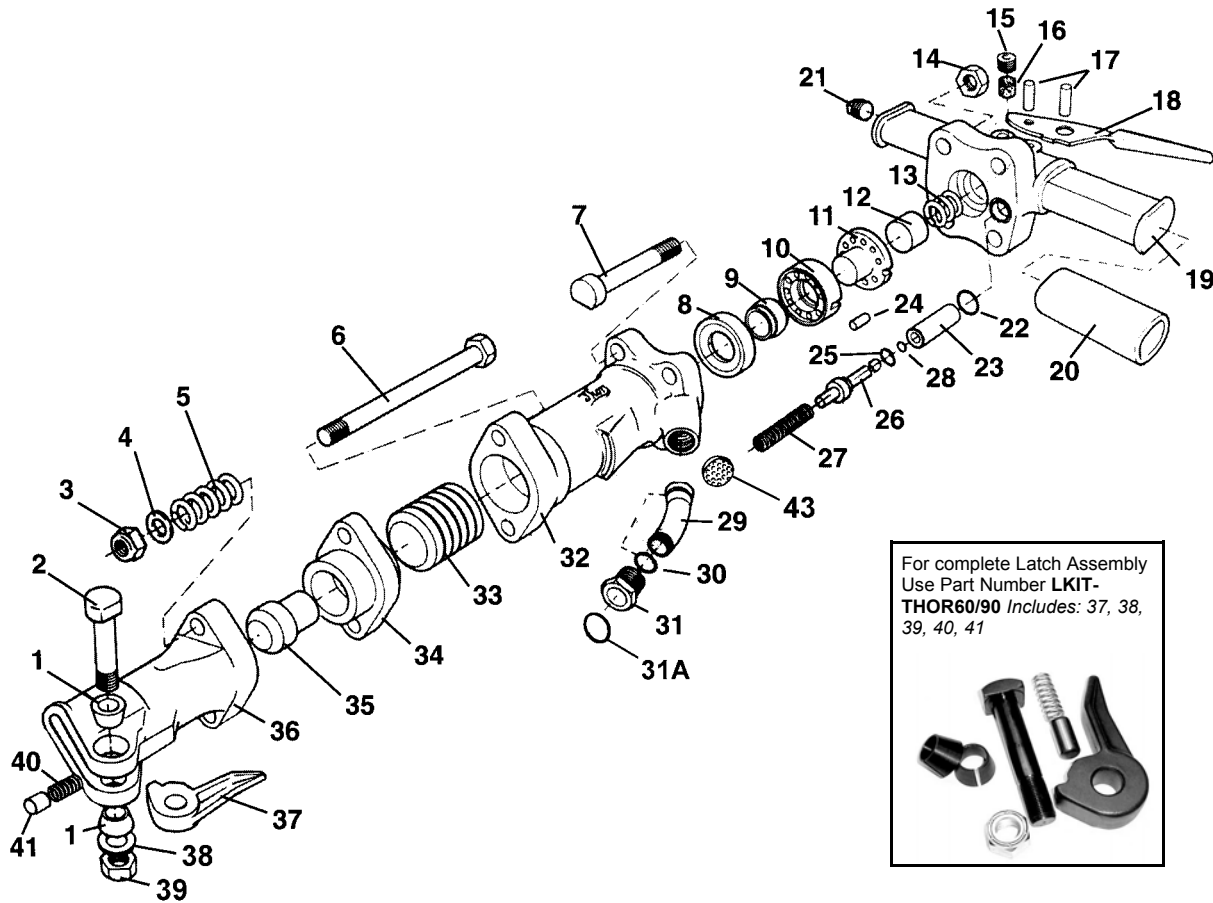


**THOR MODEL 234 60LB PAVING BREAKER**



Item	Part Number	Description	Item	Part Number	Description
1	43523	Bolt Bushing-Rubber (2)	24	43477	Dowel Pin
1	45605	Bolt Bushing-Steel(2)	25	81660	Seal—T. Valve
2	43524	Retainer Bolt	26	46893	T.Valve Body
3	805620	Nut-FH Bolt	27	43397	Spring-T.Valve
4	805621	Plain Washer	28	005005	O-Ring, T. Valve Stem (Opt)
5	43412	Spring-F.H.	29	43512	Air Inlet Swivel
6	43415	Bolt-F.H.	30	45259	O-Ring
7	52049	Bolt-Back Head	31	43169	Air Inlet Swivel Nut
8	43431	Valve Chest-Front	31A	91881	O-Ring, Swivel Nut
9	43186	Automatic Valve	32	52046	Cylinder
10	43432	Valve Chest-Rear	33	43436	Piston Hammer
11	43430	Valve Guide	34	43437	Tappet Seat
12	43474	Plunger	35	43408	Tappet
13	43475	Plunger Spring	36A	43448	Fronthead 1-1/8" Hex
14	47758	Back Head Bolt Nut		43450	Fronthead Assy 1-1/8"
15	68073	Oil Plug	36B	43449	Fronthead 1-1/4"
16	43473	Oil Control Felt		43451	Fronthead Assy 1-1/4"
17	43393	Lever Pin (2)	37	43527	Steel Retainer
18	43428	Throttle Lever	38	43007	Lockwasher
19	52048	Back Head	39	43525	Retainer Bolt Nut
20	43476	Handle Grip (2)	40	43521	Plunger Spring
21	89386	Oli Plug	41	43522	Plunger
22	82907	O-Ring	42	48385	Cylinder Plug
23	43395	Valve Stem Guide	43	43510	Air Screen